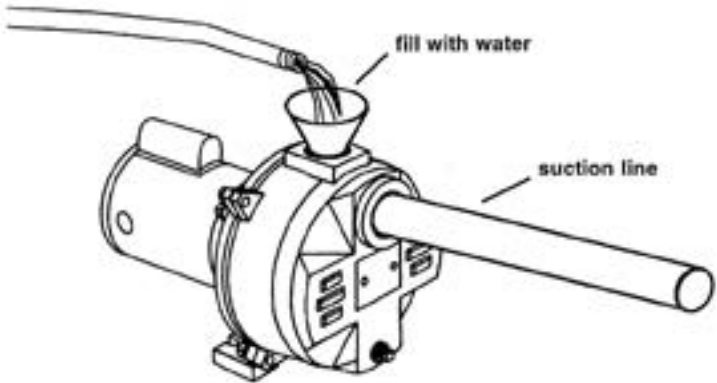


# **PRIMING NOTICE**

## **(Lawn Sprinkler Pumps)**



1. Make sure inlet connections are **air-tight**.
2. Completely fill pump **and pipe (suction line)** with water **before** starting\* pump.
  - a. After the pipes and pump are full of water, reconnect and start the unit.
  - b. If pump does not prime within five minutes, shut off power to pump, and pour more water in the top of pump, start pump again. You may have to repeat this several times to release all air out of suction line. **NEVER RUN THE PUMP DRY!**
  - c. If you don't get rid of all the air in the pump and suction pipe, the PUMP WILL NOT PRIME.

\*Running pump without water voids warranty.