



293 Wright St., Delavan, WI 53115

Phone: 1-800-468-7867

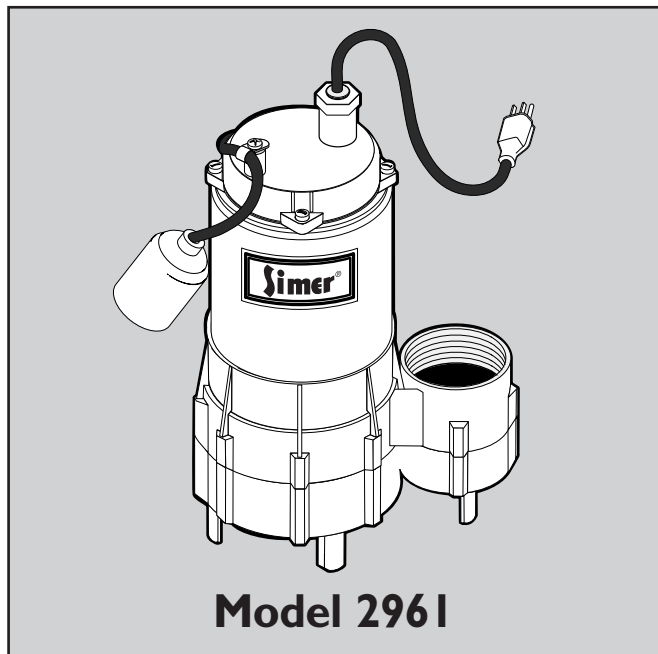
1-800-546-7867

Fax: 1-800-390-5351

OWNER'S MANUAL
**Submersible Solids
Handling Pumps**

NOTICE D'UTILISATION
**Pompes submersibles
pour les matières solides**

MANUAL DEL USUARIO
**Bombas submergibles para el
manejo de líquidos con sólidos**



Installation/Operation/Parts

*For further operating, installation,
or maintenance assistance:*

Call 1-800-468-7867

English Pages 2-6

Installation/Fonctionnement/Pièces

*Pour plus de renseignements
concernant l'utilisation,
l'installation ou l'entretien,*

Composer le 1 (800) 468-7867

Français Pages 7-11

Instalación/Operación/Piezas

*Para mayor información sobre el
funcionamiento, instalación o
mantenimiento de la bomba:*

Llame al 1-800-468-7867

Español Páginas 12-16

RETAIN ORIGINAL RECEIPT FOR YOUR RECORDS.

LIMITED WARRANTY

SIMER warrants to the original consumer purchaser ("Purchaser" or "You") of its products that they are free from defects in material and workmanship for a period of twelve (12) months from the date of the original consumer purchase.

If, within twelve (12) months from the original consumer purchase, any such product shall prove to be defective, it shall be repaired or replaced at SIMER's option, subject to the terms and conditions set forth below. The original purchase receipt and product warranty information label are required to determine warranty eligibility. Eligibility is based on purchase date of original product – not the date of replacement under warranty. The warranty is limited to repair or replacement of product only – Purchaser pays all removal, installation, labor, shipping, and incidental charges.

For parts or troubleshooting assistance, DO NOT return product to your retail store. Contact SIMER Customer Service at 1-800-468-7867 / 1-800-546-7867.

Claims made under this warranty shall be made by returning the product (except sewage pumps, see below) to the retail outlet where it was purchased immediately after the discovery of any alleged defect. SIMER will subsequently take corrective action as promptly as reasonably possible. No requests for service will be accepted if received more than 30 days after the warranty expires.

SEWAGE PUMPS

DO NOT return a sewage pump (that has been installed) to your retail store. Contact SIMER Customer Service. Sewage pumps that have seen service and been removed carry a contamination hazard with them.

If your sewage pump has failed:

- Wear rubber gloves when handling the pump;
• For warranty purposes, return the pump's cord tag and original receipt of purchase to the retail store;
• Dispose of the pump according to local disposal ordinances.

Exceptions to the Twelve (12) Month Limited Warranty

Table with 2 columns: Product and Warranty Period. Rows include BW85P, CM10, CMK, M40, M40P (90 days); 2300, 2310, 2330, 2520ULST, 2943, 2955, 2956, 2957, 2960, 5023SS, A5500 (2 Years); 4" Submersible Well Pumps, 2945, 2958, 2975PC, 2985, 3075SS, 3983, 3984 (3 Years); Pre-Charge Water System Tank, 3985, 3986 (5 Years); 3963, 3988, 3995, 3997 (Lifetime).

General Terms and Conditions

You must pay all labor and shipping charges necessary to replace product covered by this warranty. This warranty does not apply to the following: (1) acts of God; (2) products which, in SIMER's sole judgement, have been subject to negligence, abuse, accident, misapplication, tampering, or alteration; (3) failures due to improper installation, operation, maintenance or storage; (4) atypical or unapproved application, use or service; (5) failures caused by corrosion, rust or other foreign materials in the system, or operation at pressures in excess of recommended maximums.

This warranty sets forth SIMER's sole obligation and purchaser's exclusive remedy for defective products.

SIMER SHALL NOT BE LIABLE FOR ANY CONSEQUENTIAL, INCIDENTAL, OR CONTINGENT DAMAGES WHATSOEVER.

THE FOREGOING WARRANTIES ARE EXCLUSIVE AND IN LIEU OF ALL OTHER EXPRESS AND IMPLIED WARRANTIES, INCLUDING BUT NOT LIMITED TO THE IMPLIED WARRANTIES OF MERCHANTABILITY AND FITNESS FOR A PARTICULAR PURPOSE. THE FOREGOING WARRANTIES SHALL NOT EXTEND BEYOND THE DURATION PROVIDED HEREIN.

Some states do not allow the exclusion or limitation of incidental or consequential damages or limitations on how long an implied warranty lasts, so the above limitations or exclusions may not apply to You. This warranty gives You specific legal rights and You may also have other rights which vary from state to state.

SIMER • 293 Wright Street • Delavan, WI U.S.A. 53115
Phone: 1-800-468-7867 / 1-800-546-7867 • Fax: 1-800-390-5351
E-Mail: info@simerpumps.com • Web Site: http://www.simerpumps.com

**READ AND FOLLOW
SAFETY INSTRUCTIONS!**

⚠ This is the safety alert symbol. When you see this symbol on your pump or in this manual, look for one of the following signal words and be alert to the potential for personal injury:

⚠ DANGER warns about hazards that **will** cause serious personal injury, death or major property damage if ignored.

⚠ WARNING warns about hazards that **can** cause serious personal injury, death or major property damage if ignored.

⚠ CAUTION warns about hazards that **will** or **can** cause minor personal injury or property damage if ignored.

The label **NOTICE** indicates special instructions which are important but not related to hazards.

Carefully read and follow all safety instructions in this manual and on pump.

Keep safety labels in good condition.
Replace missing or damaged safety labels.

1. Read this manual carefully. Failure to follow these Instructions could cause serious bodily injury and/or property damage.
2. Check your local codes before installing. You must comply with their rules.
3. Vent sewage or septic tank according to local codes.
4. Do not install pump in any location classified as hazardous by National Electrical Code, ANSI/NFPA 70-1990.

⚠ WARNING **Hazardous voltage, Can shock, burn or cause death.** During operation, the pump is in water. To avoid fatal shocks, proceed as follows if pump needs servicing:

⚠ WARNING **Risk of electrical shock. Can burn or kill.** Do not lift pump by power cord. See "Cord Lift Warning" on Page 5.

- 5A. Disconnect power to outlet box before unplugging pump.
- 5B. Take extreme care when changing fuses. Do not stand in water or put your finger in fuse socket.
- 5C. Do not modify cord and plug. When using cord and plug, plug into a grounded outlet only. When wiring to a system control, connect pump ground lead to system ground.

6. Do not run pump dry. Dry running can overheat pump, (causing burns to anyone handling it) and will void warranty.
7. Pump normally runs hot. To avoid burns when servicing pump, allow it to cool for 20 minutes after shut-down before handling it.
8. In normal service, motor should not need oiling. Motor has been filled at the factory with a special oil.

NOTICE: This unit is not designed for applications involving salt water or brine! Use with salt water or brine will void warranty.

INSTALLATION

NOTICE: Install pump on a hard, level surface (cement, asphalt, etc.). Never place pump directly on earth, clay or gravel surfaces.

**Piping – Effluent Applications
(3/4" or Less Solids)**

Piping must be 1-1/2" minimum to carry volume of pump discharge. Check local codes to determine if a check valve is required in your system. In cold climates, check valves are not used to prevent effluent from freezing in piping.

If using as a sump pump, a check valve is recommended.

**Piping – Sewage Applications
(2" or Less Solids)**

In any case, piping must not be smaller than pump discharge.

When installed in a sewage system, pipe must be capable of handling semi-solids of at least 2" (5.1 cm) diameter.

The rate of flow in the discharge pipe must keep any solids present in suspension in the fluid. To meet minimum flow requirements (2 feet (.6 m) per second in discharge line), size pipe as follows:

A Pipe Size Of:	Will Handle a Flow Rate Of:
1-1/2" (3.8 cm)	12 GPM (45 LPM)
2" (5.1 cm)	21 GPM (80 LPM)
2-1/2" (6.3 cm)	30 GPM (114 LPM)
3" (7.6 cm)	48 GPM (182 LPM)

PERFORMANCE

	GPH (LPH) AT DISCHARGE FT. OF HEAD			
Model	5 (1.5m)	10 (3m)	15 (4.6m)	18 (5.5m)
2961	3900(14,763)	2550(9,653)	960(3,634)	0

Use a 2" (5.1 cm) swing check valve in pump discharge to prevent backflow of liquid into sump basin. Check valve should be a free flow valve that will easily pass solids.

NOTICE: For best performance of check valve when handling solids, do not install it with the discharge pipe angled more than 45° above the horizontal. Do not install check valve in a vertical position as solids may settle in valve and prevent the check valve from opening on startup.

Drill a 3/16" (4.7mm) hole in discharge pipe about 1"-2" (2.5 - 5.1cm) above pump discharge connection (but below check valve) to prevent airlocking the pump.

ELECTRICAL

▲WARNING **Hazardous voltage. Can shock, burn, or cause death.** When installing, operating, or servicing this pump, follow safety instructions listed below.

1. DO NOT splice the electrical power cord.
2. DO NOT allow electrical cord plug to be submerged.
3. DO NOT use extension cords. They are a fire hazard and can reduce voltage sufficiently to prevent pumping and/or damage motor.
4. DO NOT handle or service pump while it is connected to power supply.
5. DO NOT remove grounding prong from plug or modify plug. To protect against electrical shock, the power cord is a three-wire conductor and includes a 3-prong grounded plug. Plug pump into a 3-wire, grounded, grounding-type receptacle. Connect pump according to electrical codes that apply.

For automatic operation, plug or wire pump into an automatic float switch or pump controller. Pump will run continuously when plugged directly into an electrical outlet. Connect or wire pump to an individual branch circuit with no other outlets or equipment in the circuit. Size fuses or circuit breakers according to Fuse Size Chart at right.

▲WARNING **Risk of electrical shock and fire. Can cause severe personal injury, property damage or death.** Be sure that power supply information (Voltage/Hertz/Phase) on pump motor nameplate matches incoming power supply exactly. Install pump according to all electrical codes that apply.

FUSE SIZE CHART

Model	H.P.	Voltage	Individual Branch Circuit Required (Amps)	Dual Element Time Delay Fuse Amps
2961	4/10	115	15	10

OPERATION AND INSTALLATION

NOTICE: Do not allow pump to run in a dry sump. It will void the warranty and may damage the pump.

An automatic overload protector in the motor will protect motor from burning out due to overheating/overloading. When motor cools down, overload protector will automatically reset and start motor.

If overload trips frequently, check for cause. It could be a stuck impeller, wrong/low voltage, or electrical failure in motor. If an electrical failure in the motor is suspected, have it serviced by a competent repairman.

Pump is permanently lubricated. No oiling or greasing is required.

GENERAL

▲WARNING **Hazardous voltage. Can shock, burn, or cause death.** Before removing pump from basin for service, always disconnect electrical power to pump and control switch.

▲WARNING **Risk of electrical shock. Can burn or kill.** Do not lift pump by the power cord.

Submerge pump in a disinfectant solution (chlorox or chlorine) for at least one hour before disassembling pump.


The pump motor contains a special lubricating oil which should be kept clean and free of water at all times.

⚠ WARNING Risk of sudden starts. Can result in an electrical shock and pinching of hands or fingers. If the power is on to the pump when the thermal overload resets, the pump may start without warning. Disconnect the power before servicing the pump.

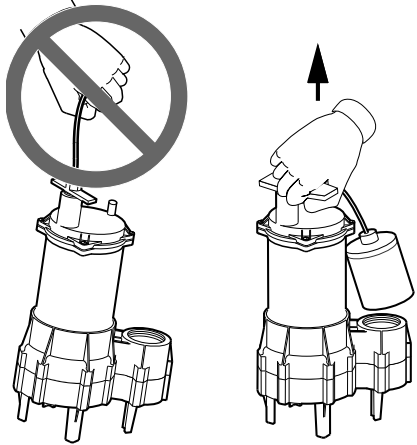
<p>A. Pump fails to operate:</p>	<ol style="list-style-type: none"> 1. Check to be sure that power cord is securely plugged into outlet. Disconnect power to outlet before handling pump or motor. 2. Check to be sure you have electrical power. 3. Check that liquid fluid level is high enough to activate switch or controller. 4. Check to be sure that 3/16" (4.7 mm) vent hole in discharge pipe is not plugged. 5. Check for blockage in pump inlet, impeller, check valve or discharge pipe. 6. Thermal overload may have tripped. Test start pump; if it starts and then stops immediately, disconnect from power source for 30 minutes to allow motor to cool, then reconnect to power source. Check for cause of overheating/overloading.
<p>B. Pump fails to empty sump:</p>	<ol style="list-style-type: none"> 1. Be sure all valves in discharge valve are fully open. 2. Clean out discharge pipe and check valve. 3. Check for blockage in pump inlet or impeller. 4. Pump not sized properly. A higher capacity pump may be required.
<p>C. Pump will not shut off:</p>	<ol style="list-style-type: none"> 1. Check switch or controller automatic floats for proper operation and location. See installation instructions for switch/controller. 2. If pump is completely inoperative or continues to malfunction, consult your local serviceman.

CORD LIFT WARNING

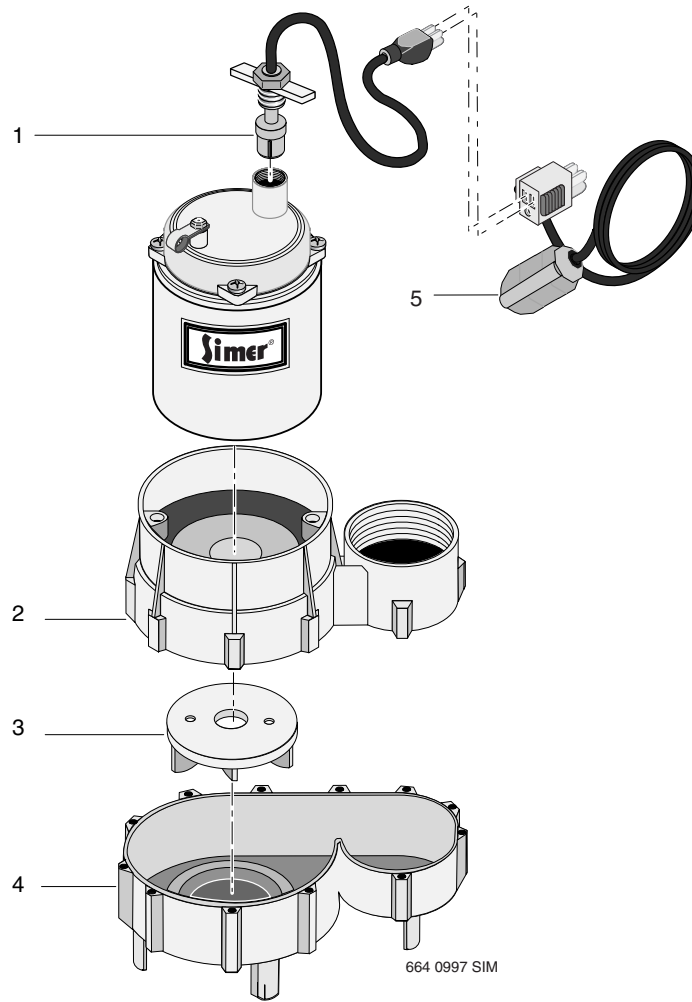
⚠ WARNING



Risk of electrical shock.
Can burn or kill.
Do not lift pump by power cord.



1. Attempting to lift or support pump by power cord can damage cord and cord connections.
2. Cord may pull apart, exposing bare wires with possibility of fire or electrical shock.
3. Lifting or supporting pump by power cord will void warranty.
4. Use lifting ring or handle on top of pump for all lifting/lowering of pump. Disconnect power to pump before doing any work on pump or attempting to remove pump from sump.



REPAIR PARTS LIST

Key No.	Part Description	Qty.	2961 115 Volt
1	Power Cord Assembly	1	PS117-54-TSE
2	Upper Volute	1	PW1-10P
3	Impeller	1	PW5-15P
4	Lower Volute	1	PW1-11P
5	Automatic Float Switch	1	PS117-144P

IF THE MOTOR FAILS, REPLACE THE PUMP.

CONSERVER L'ORIGINAL DU REÇU POUR TOUTE RÉFÉRENCE ULTÉRIEURE.**GARANTIE LIMITÉE**

SIMER garantit à l'acheteur/au consommateur d'origine (l'Acheteur) que ses produits sont exempts de tout vice de matériau et de fabrication. Cette garantie est valable pendant douze (12) mois à partir de la date d'achat d'origine.

Si, dans les douze (12) mois suivant la date d'achat d'origine, un produit se révèle défectueux, il sera réparé ou remplacé, à la discrétion de SIMER, conformément aux modalités et conditions exposées ci-dessous. Le reçu de l'achat d'origine et l'étiquette d'information sur la garantie sont requis pour déterminer la recevabilité de la réclamation au titre de la garantie. La recevabilité de la réclamation se base sur la date de l'achat d'origine du produit, et non sur la date d'un éventuel remplacement sous garantie. La garantie est limitée à la réparation ou au remplacement du produit uniquement. L'Acheteur assume les frais de retrait, d'installation, de transport et tous les frais accessoires.

Pour obtenir des pièces ou de l'aide technique, NE PAS retourner le produit au détaillant. Contacter le service à la clientèle de SIMER au 1-800-468-7867 / 1-800-546-7867.

Les réclamations au titre de cette garantie doivent être effectuées en retournant le produit (à l'exception des pompes d'eaux d'égout, voir ci-dessous) au détaillant où il a été acheté, et ce, immédiatement après la découverte de la défaillance supposée. SIMER prendra les mesures correctives nécessaires dans un délai rapide et raisonnable. Aucune demande de réparation ne sera acceptée plus de 30 jours après l'expiration de la garantie.

POMPES D'EAUX D'ÉGOUT

NE PAS RETOURNER une pompe d'eaux d'égout (qui a été installée) au détaillant. Communiquer avec le service à la clientèle de SIMER. Les pompes d'eaux d'égout qui ont été utilisées, puis retirées présentent un risque de contamination.

En cas de défaillance de la pompe d'eaux d'égout :

- Porter des gants en caoutchouc pour manipuler la pompe.
- À des fins de garantie, retourner l'étiquette figurant sur le cordon de la pompe et l'original du reçu au détaillant.
- Mettre la pompe au rebut conformément à la réglementation locale.

Exceptions à la garantie limitée de douze (12) mois

Produit	Période de garantie
BW85P, CM10, CMK, M40, M40P	90 jours
2300, 2310, 2330, 2520ULST, 2943, 2955, 2956, 2957, 2960, 5023SS, A5500	2 ans
Pompe pour puits submersibles de 4 pouces, 2945, 2958, 2975PC, 2985, 3075SS, 3983, 3984	3 ans
Réservoir préchargé de système d'eau, 3985, 3986	5 ans
3963, 3988, 3995, 3997	À vie

Modalités et conditions générales

L'Acheteur doit payer tous les frais de main d'œuvre et de transport nécessaires au remplacement du produit garanti couvert par cette garantie. Cette garantie ne s'applique pas à ce qui suit : (1) Les catastrophes naturelles; (2) Les produits qui, selon SIMER, ont fait l'objet d'une négligence, d'une utilisation abusive, d'un accident, d'une mauvaise application ou d'une altération; (3) Les défaillances dues à une installation, une utilisation, un entretien ou un entreposage inappropriés; (4) Une application, une utilisation ou une réparation atypique ou non approuvée; (5) Les défaillances causées par la corrosion, la rouille ou d'autres matériaux étrangers au système, ou par une utilisation à une pression supérieure au maximum recommandé.

Cette garantie établit la responsabilité unique de SIMER et le recours exclusif de l'Acheteur en cas de produit défectueux.

SIMER NE POURRA ÊTRE TENUE RESPONSABLE DE TOUT DOMMAGE INDIRECT OU CONSÉCUTIF QUEL QU'IL SOIT.

LES PRÉSENTES GARANTIES SONT EXCLUSIVES ET REMPLACENT TOUTE AUTRE GARANTIE EXPRESSE OU IMPLICITE, Y COMPRIS, MAIS SANS S'Y LIMITER, CELLE DE QUALITÉ MARCHANDE OU D'APTITUDE DU PRODUIT À UN EMPLOI PARTICULIER. LES PRÉSENTES GARANTIES NE PEUVENT SE PROLONGER AU-DELÀ DE LA PÉRIODE DE GARANTIE INDIQUÉE ICI.

Certains États ne permettent pas l'exclusion ou la limitation des dommages indirects ou consécutifs, ni les limitations relatives à la durée des garanties implicites. Par conséquent, il se peut que les limitations ou les exclusions ci-dessus ne s'appliquent pas. Cette garantie procure des droits juridiques précis à l'Acheteur. Cependant, il est possible de bénéficier d'autres droits, qui varient selon l'État.

SIMER • 293 Wright Street • Delavan, WI U.S.A. 53115

Téléphone : 1 800 468-7867 / 1 800 546-7867 • Télécopieur : 1 800 390-5351

Courriel : info@simerpumps.com • Site Web : <http://www.simerpumps.com>

LIRE TOUTES CES INSTRUCTIONS ET LES SUIVRE!

⚠ Ce symbole indique qu'il faut être prudent. Lorsque ce symbole apparaît sur la pompe ou dans cette Notice, rechercher une des mises en garde qui suivent, car elles indiquent un potentiel possible de blessures corporelles :

⚠ DANGER avertit d'un danger qui causera des blessures corporelles, la mort ou des dommages matériels importants si on l'ignore.

⚠ AVERTISSEMENT avertit d'un danger qui risque de causer des blessures corporelles, la mort ou des dommages matériels importants si on l'ignore.

⚠ ATTENTION avertit d'un danger qui causera ou qui risquera de causer des blessures corporelles, la mort ou des dommages matériels importants si on l'ignore.

Le mot **NOTA** indique des instructions spéciales et importantes n'ayant aucun rapport avec les dangers.

Lire attentivement toutes les consignes de sécurité contenues dans cette Notice ou collées sur la pompe.

Garder les autocollants de sécurité en bon état; les remplacer s'ils manquent ou s'ils ont été endommagés.

1. Lire attentivement ces règles d'utilisation et instructions. Le non-respect de ces prescriptions peut entraîner des blessures graves ou des dommages matériels.
2. Vérifier les codes locaux avant l'installation. Leurs règles doivent être suivies.
3. Ventiler les eaux usées ou le réservoir septique conformément aux règles du code local.
4. Ne pas installer la pompe à un endroit classé dangereux par le Code National de l'électricité, ANSI/NFPA 70-1990.

⚠ AVERTISSEMENT Tension dangereuse. Risques d'électrocution, de brûlures ou d'accident mortel. Pendant son fonctionnement, la pompe est immergée. Pour éviter les chocs électriques mortels, suivre la procédure suivante si la pompe nécessite intervention :

⚠ AVERTISSEMENT Risques de secousses électriques. Risques de brûlures, voire de mort. Ne pas lever la pompe par le cordon d'alimentation. Se reporter à «Avertissement - Ne pas lever la pompe par le cordon» sur la Page 10.

- 5A. Couper l'alimentation au niveau de la prise de courant avant de débrancher la pompe.
- 5B. Exercer la plus grande prudence lors du remplacement des fusibles. Éviter de se placer dans l'eau ou de placer le doigt dans le support du fusible.
- 5C. Ne modifier le cordon d'alimentation. Lors de l'utilisation du cordon et du connecteur, ne les enficher que dans une prise de courant reliée à la terre. Lorsque la connexion se fait vers le boîtier de commande du système, relier le fil de masse de la pompe à la prise de terre du système.

6. Ne pas faire fonctionner la pompe à vide. Faire fonctionner la pompe sans eau risque de la faire surchauffer (et de causer ainsi des brûlures) et annule la garantie.
7. La pompe chauffe lorsqu'elle fonctionne. Pour éviter les brûlures lors des interventions sur la pompe, la laisser refroidir après la mise à l'arrêt pendant 20 minutes avant de la manipuler.
8. Lors d'une utilisation normale, le moteur ne devrait pas avoir besoin d'huile ; il a été lubrifié en usine avec une huile spéciale.

REMARQUE : Cette pompe n'est pas conçue pour pomper de l'eau salée ni de la saumure! La garantie sera annulée si cette pompe est utilisée pour pomper de l'eau salée ou de la saumure.

INSTALLATION

REMARQUE : Installer la pompe sur une surface plane et dure (ciment, asphalte, béton etc.).

Ne jamais poser la pompe à même la terre, sur de l'argile ou du gravier.

Tuyauterie – applications effluents (matières solides de 1,8 cm (3/4 po) ou moins)

Les tuyauteries doivent être d'au moins 3,8 cm (1-1/2 po) de diamètre pour évacuer le matériau que refoule la pompe. Vérifier les réglementations locales pour déterminer si votre système requiert un clapet de non-retour. Dans les régions aux basses températures, les clapets de non-retour ne sont pas utilisés pour empêcher l'effluent de geler dans la tuyauterie.

Il est recommandé d'utiliser un clapet de non-retour dans un puisard.

Tuyauterie – réseau d'égouts (matières solides de 5,1 cm (2 po) ou moins)

Les tuyauteries ne peuvent en aucun cas être de diamètre inférieur au matériau que refoule la pompe. Lorsqu'elle est installée dans un réseau d'égouts, il faut que la tuyauterie puisse évacuer des semi-solides d'au moins 5,1 cm (2 po) de diamètre.

L'écoulement dans le tuyau d'évacuation doit permettre à tous solides de demeurer en suspension dans le liquide. Pour assurer l'écoulement minimum imposé (0,6 m (2 pi) par seconde dans la canalisation de refoulement), utiliser des tuyauteries des dimensions suivantes :

Un tuyau de diamètre :	Assure un écoulement de :
3,8 cm (1-1/2")	45 LPM (12 GPM)
5,1 cm (2")	80 LPM (21 GPM)
6,3 cm (2-1/2")	114 LPM (30 GPM)
7,6 cm (3")	182 LPM (48 GPM)

RENDEMENT

Modèle	LPH / Hauteur de refoulement en mètres			
	1,5	3	4,5	5,5
2961	14 763	9 653	3 634	0

Utiliser un clapet de non-retour de 5,1 cm (2 po) dans le tuyau d'évacuation pour éviter que le liquide ne refoule dans le bassin du puisard. Le clapet de non-retour devrait constituer une valve à écoulement libre laissant passer les solides.

REMARQUE : Pour obtenir les meilleurs rendements possible du clapet de non retour lorsque l'on pompe des matières solides, ne pas l'installer sur un tuyau de refoulement dont l'angle d'inclinaison est supérieur à 45 ° par rapport à l'horizontale. Ne pas installer le clapet de non retour en position verticale, étant donné que les matières solides risquent de se déposer sur l'obturateur et empêcher le clapet de non retour de s'ouvrir lors du démarrage de la pompe.

Forer un trou de 4,7 mm (3/16èmes de pouce) dans le tuyau d'évacuation à une distance de 2,5 à 5,1 cm (1 à 2 po) de la connexion de refoulement de la pompe (mais en dessous du clapet de non-retour) pour éviter les poches d'air et le blocage de la pompe.

ÉLECTRICITÉ

⚠ AVERTISSEMENT **Tension dangereuse. Risque d'électrocution, de brûlures ou d'accident mortel.** Lors de l'installation, du fonctionnement de la pompe ou lors d'une intervention sur la pompe, suivre scrupuleusement les instructions ci-dessous :

1. NE PAS épisser le cordon d'alimentation.
2. NE PAS immerger le connecteur du cordon d'alimentation.
3. NE PAS utiliser de rallonges. Elles constituent un danger d'incendie et peuvent réduire la tension de manière suffisante pour empêcher le pompage ou endommager la pompe.
4. NE PAS manipuler la pompe ou intervenir sur la pompe lorsqu'elle est branchée.
5. NE PAS retirer la broche de mise à la masse du connecteur ou modifier celui-ci. Pour assurer la protection contre l'électrocution, le cordon d'alimentation est un conducteur à trois fils et comporte un connecteur à trois broches avec prise de terre. Brancher la pompe dans une prise à 3 fils, raccordée à la masse. Connecter la pompe en accord avec les codes électriques en vigueur.

Pour le fonctionnement automatique, brancher le connecteur de la pompe ou brancher ses fils directement à un interrupteur automatique à flotteur ou à un boîtier de commande en pompe. La pompe fonctionnera de façon permanente lorsqu'elle sera reliée à une prise de courant. Brancher le connecteur ou directement les fils de la pompe sur circuit de dérivation individuel spécifique, libre de tout autre équipement ou prise de courant. Déterminer le calibre des fusibles ou des disjoncteurs conformément au tableau de calibre des fusibles à droite.

⚠ AVERTISSEMENT **Risque d'incendie ou d'explosion pouvant causer de graves blessures, des dommages matériels, voire la mort. Le moteur n'est pas anti-étincelant.** Ne pas le faire fonctionner dans des atmosphères explosives. S'assurer que les informations relatives à l'alimentation (tension/ fréquence en Hertz/phase) sur la plaquette d'identification de la pompe correspondent exactement à l'alimentation disponible. Installer la pompe en accord avec les codes électriques en vigueur.

TABLEAU DE CALIBRE DES FUSIBLES

Modèle	CV	Tension	Circuit de dérivation individuel requis (en ampères)	Ampérage de fusibles temporisés bicomposants
2961	4/10	115	15	10

FONCTIONNEMENT ET INSTALLATION

REMARQUE : Ne pas faire fonctionner la pompe dans un puisard sec. La garantie sera annulée et la pompe pourra être endommagée.

Une protection automatique contre les surcharges empêche le moteur de brûler suite à une surchauffe/surcharge. Lorsque le moteur se sera refroidi, le dispositif de protection contre les surcharges (le disjoncteur) se réinitialisera automatiquement et relancera le moteur.

Si le moteur disjoncte fréquemment, en rechercher la cause. Il peut s'agir d'un démarreur coincé, d'une tension incorrecte ou trop faible, ou d'une panne électrique à l'intérieur du moteur. Dans ce dernier cas, il faut avoir recours à l'intervention d'un spécialiste.

La pompe a été lubrifiée en usine. Aucun huilage ou graissage n'est nécessaire.

GÉNÉRALITÉS

⚠ AVERTISSEMENT **Tension dangereuse. Risque d'électrocution, de brûlures ou d'accident mortel.** Avant de retirer la pompe du bassin pour une intervention, déconnecter l'alimentation de la pompe et du boîtier de commande.

⚠ AVERTISSEMENT **Risques de secousses électriques. Risques de brûlures, voire de mort.**

Ne pas lever la pompe par le cordon d'alimentation.

Immerger la pompe dans une solution désinfectante (chlorox ou solution chlorée) pendant une heure minimum avant de la démonter.


Le moteur de la pompe contient une huile spéciale qui doit être gardée propre en permanence et ne pas entrer en contact avec de l'eau.

⚠ AVERTISSEMENT Possibilités de démarrages soudains, ce qui risque de causer des secousses électriques. On risque aussi de se pincer les doigts ou les mains. Si la pompe est alimentée en courant lorsque le dispositif de protection thermique contre les surcharges se réenclenche, la pompe peut démarrer inopinément. Avant d'intervenir sur la pompe, toujours couper le courant qui l'alimente.

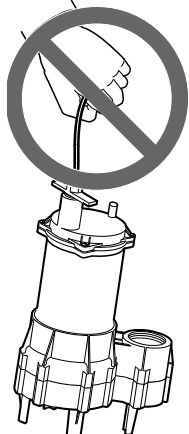
<p>A. La pompe ne fonctionne pas :</p>	<ol style="list-style-type: none"> 1. Vérifier si le cordon est bien enfoncé dans la prise de courant. Déconnecter l'alimentation de la prise de courant avant de manipuler la pompe ou le moteur. 2. Vérifier si la tension est bien présente. 3. Vérifier si le niveau du liquide est suffisamment haut pour activer le contact ou la commande. 4. Vérifier si le trou de ventilation de 4,7 mm (3/16èmes de pouce) du tuyau d'évacuation n'est pas bouché. 5. Vérifier un blocage de la crépine d'entrée, du rotor, du clapet de non-retour ou du tuyau d'évacuation. 6. Le disjoncteur de surcharge thermique a peut-être fonctionné. Vérifier le démarrage de la pompe : si la pompe démarre et s'arrête aussitôt, la déconnecter de la source d'alimentation pendant 30 minutes pour permettre au moteur de refroidir, puis rebrancher l'alimentation. Rechercher la cause de la surchauffe/de la surcharge.
<p>B. La pompe ne vide pas le puisard :</p>	<ol style="list-style-type: none"> 1. Vérifier si toutes les valves de la valve de refoulement sont complètement ouvertes. 2. Nettoyer le tuyau d'évacuation et vérifier la valve. 3. Vérifier si la crépine d'entrée ou le rotor ne sont pas bloqués. 4. La capacité de la pompe ne convient pas. Il est peut-être nécessaire d'installer une pompe de plus grande capacité.
<p>C. La pompe ne s'arrête pas de fonctionner :</p>	<ol style="list-style-type: none"> 1. Vérifier le fonctionnement et l'emplacement des contacts ou de la commande automatique du flotteur. Consulter les instructions d'installation pour le contact/la commande. 2. Si la pompe est complètement hors fonctionnement ou continue à mal fonctionner, consulter le réparateur local.


AVERTISSEMENT CONCERNANT LE LEVAGE PAR LE CORDON ÉLECTRIQUE

⚠ AVERTISSEMENT

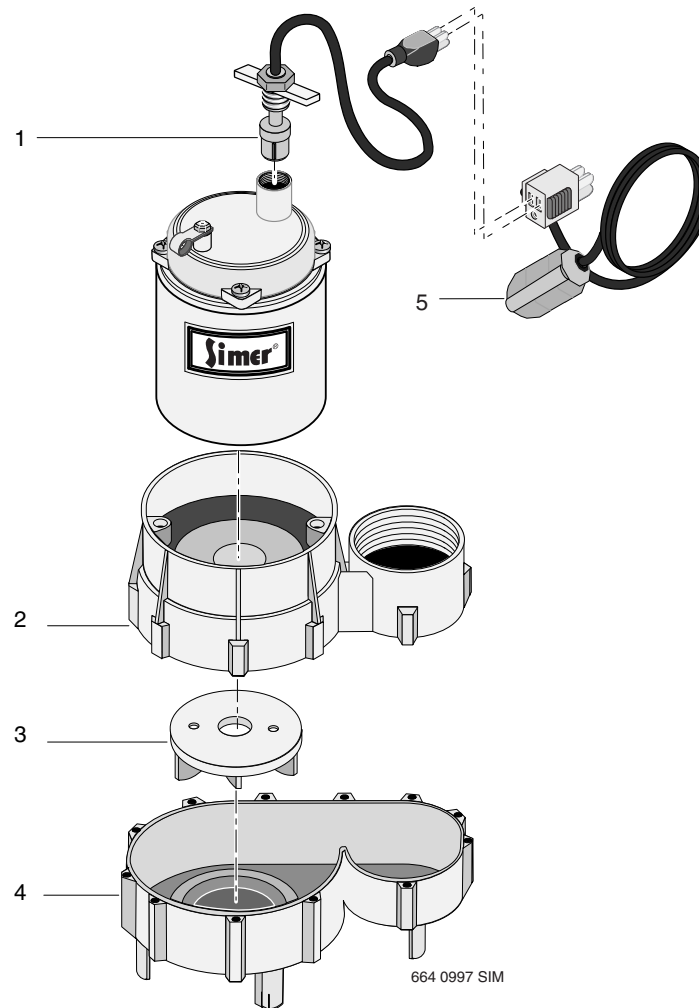


Risque de secousses électriques, de brûlures, ou de mort. Ne pas lever la pompe par son cordon électrique.





1. Les connexions et le cordon électrique de la pompe seront endommagés si on essaie de lever ou de supporter la pompe par son cordon.
2. Le cordon peut se débrancher et des fils nus peuvent être exposés, ce qui peut présenter le risque d'un incendie ou de subir des secousses électriques.
3. La garantie sera annulée si on lève ou supporte la pompe par son cordon électrique.
4. Pour lever ou abaisser la pompe, toujours utiliser son anneau ou sa poignée de levage qui se trouve dessus. Avant d'intervenir sur la pompe ou avant de la sortir du puisard, couper le courant qui l'alimente.



LISTE DES PIÈCES DE RECHANGE

Réf. No.	Désignation des pièces	Qté	2961 115 Volts
1	Cordon d'alimentation	1	PS117-54-TSE
2	Volute supérieure	1	PW1-10P
3	Rotor	1	PW5-15P
4	Volute inférieure	1	PW1-11P
5	Contact-flotteur autom.	1	PS117-144P

**SI LE MOTEUR TOMBE EN PANNE,
REPLACER LA POMPE.**

GUARDE EL RECIBO ORIGINAL PARA CUALQUIER REFERENCIA POSTERIOR.

GARANTÍA LIMITADA

SIMER le garantiza al comprador consumidor original (el "Comprador" o "Usted") de sus productos, que éstos estarán libres de defectos en materiales y en mano de obra por un período de doce (12) meses, a partir de la fecha de la compra original del consumidor.

Si dentro de los doce (12) meses a partir de la fecha de la compra inicial del consumidor, se comprueba que cualquiera de esos productos es defectuoso, éste será reparado o reemplazado, a la discreción de SIMER, sujeto a los términos y a las condiciones indicadas a continuación. Se necesitará su recibo de compra original y la etiqueta de información sobre la garantía del producto, para determinar la admisibilidad de la garantía. La admisibilidad se basa en la fecha de compra del producto original - no en la fecha de reemplazo bajo la garantía. La garantía está limitada a la reparación o el reemplazo del producto solamente - El comprador pagará todos los costos de remoción, instalación, mano de obra y envío necesarios, así como todo costo adicional asociado.

Si necesita piezas o resolución de problemas, NO regrese el producto a la tienda minorista. Llame el Servicio a la Clientela de SIMER al 1-800-468-7867 / 1-800-546-7867.

Las reclamaciones bajo esta garantía se deberán realizar mediante la devolución del producto (excepto en el caso de las bombas cloacales, ver a continuación) a la tienda minorista en donde se haya adquirido, inmediatamente después de haber descubierto un supuesto defecto. SIMER entonces tomará la medida correctiva tan pronto como sea razonablemente posible. No se aceptarán solicitudes de servicio, si se reciben más de 30 días después del vencimiento de esta garantía.

BOMBAS CLOCALES

NO devuelva una bomba cloacal (que se haya instalado) a su tienda minorista. Comuníquese con el Departamento de Atención al Cliente de SIMER. Las bombas cloacales que hayan estado en servicio y se hayan removido pueden representar un peligro de contaminación.

Si su bomba cloacal ha fallado:

- Use guantes de caucho cuando manipule la bomba;
- Para los fines de la garantía, devuelva la etiqueta del cordón de la bomba y el recibo de compra original a la tienda minorista;
- Descarte la bomba cumpliendo con todas las normas locales que correspondan para su eliminación.

Excepciones para la Garantía Limitada de Doce (12) Meses

Producto	Período de garantía
BW85P, CM10, CMK, M40, M40P	90 días
2300, 2310, 2330, 2520ULST, 2943, 2955, 2956, 2957, 2960, 5023SS, A5500	2 años
Bombas de pozo sumergibles de 4", 2945, 2958, 2975PC, 2985, 3075SS, 3983, 3984	3 años
Tanque precargado del sistema de agua, 3985, 3986	5 años
3963, 3988, 3995, 3997	De por vida

Términos y condiciones generales

Usted deberá pagar por todos los gastos de mano de obra y de envío necesarios para reemplazar el producto cubierto por esta garantía. Esta garantía no se aplicará en las siguientes situaciones: (1) caso de fuerza mayor (2) productos que, a sólo juicio de SIMER hayan sido sometidos a negligencia, abuso, accidente, mala aplicación, manejo indebido o alteraciones; (3) fallas debido a instalación, operación, mantenimiento o almacenamiento inadecuados; (4) aplicaciones, usos o servicios que no sean normales o aprobados; (5) fallas provocadas por corrosión, herrumbre u otros materiales extraños en el sistema, o una operación a presiones que excedan los máximos recomendados.

Esta garantía establece la única obligación de SIMER y el recurso exclusivo del Comprador con respecto a los productos defectuosos.

SIMER NO SE HARÁ RESPONSABLE DE NINGÚN DAÑO CONSECUENTE, INCIDENTAL O CONTINGENTE.

LAS GARANTÍAS QUE ANTECEDEN SON EXCLUSIVAS Y REEMPLAZAN TODA OTRA GARANTÍA EXPLÍCITA O IMPLÍCITA, INCLUYENDO PERO SIN LIMITARSE A LAS GARANTÍAS IMPLÍCITAS DE COMERCIABILIDAD E IDONEIDAD PARA UN FIN ESPECÍFICO. LAS GARANTÍAS QUE ANTECEDEN NO SE EXTENDERÁN MÁS ALLÁ DE LA DURACIÓN PROVISTA EN LA PRESENTE.

Algunos Estados no permiten la exclusión o limitación de daños incidentales o consecuentes o de limitaciones de tiempo sobre garantías implícitas, de modo que es posible que las limitaciones o exclusiones que preceden no correspondan en su caso. Esta garantía le otorga derechos legales específicos y es posible que Usted también tenga otros derechos que pueden variar de un Estado al otro.

SIMER • 293 Wright Street • Delavan, WI U.S.A. 53115
Teléfono: 1-800-468-7867 / 1-800-546-7867 • Fax: 1-800-390-5351
E-Mail: info@simerpumps.com • Sitio Web: http://www.simerpumps.com

LEA Y SIGA LAS INSTRUCCIONES DE SEGURIDAD!

⚠ Este es el símbolo de alerta de seguridad. Cuando usted vea este símbolo en su bomba o en este manual, busque alguna de las siguientes palabras de advertencia y esté alerta a la posibilidad de una herida personal:

⚠ PELIGRO advierte acerca de los peligros que **ocasionarán** lesiones personales serias, la muerte o un daño severo a la propiedad si se ignoran dichos peligros.

⚠ ADVERTENCIA advierte acerca de los peligros que **pueden** ocasionar lesiones personales serias, la muerte o un daño severo a la propiedad si se ignoran dichos peligros.

⚠ PRECAUCIÓN advierte acerca de los peligros que **ocasionarán** o **podrán** ocasionar lesiones personales menores o daños a la propiedad si se ignoran dichos peligros.

La etiqueta **AVISO** indica instrucciones especiales que son importantes pero no relacionados a los peligros.

Lea y siga cuidadosamente todas las instrucciones de seguridad en este manual y en la bomba.

Mantenga las etiquetas de seguridad en buenas condiciones. Reemplace las etiquetas de seguridad faltantes o dañadas.

1. Lea cuidadosamente estas reglas e instrucciones. Su omisión podría provocar graves lesiones y/o daños materiales.
2. Verifique los códigos del lugar de la instalación antes de realizarla. Debe usted respetar estas normas.
3. Instale un sistema de ventilación en el tanque de aguas cloacales o en el tanque séptico de acuerdo con los códigos locales.
4. No instale la bomba en ningún lugar que el Código Nacional de Electricidad, ANSI/NFPA 70-1990, clasifique como peligroso.

⚠ ADVERTENCIA Voltaje peligroso, puede ser causa de descargas eléctricas, quemaduras o muerte.

⚠ ADVERTENCIA Riesgo de choque eléctrico. Puede producir quemaduras o la muerte. No levante la bomba por el cordón. Ver "Advertencia de no levantar la bomba por el cordón" en la Pagina 15.

Durante el funcionamiento la bomba está sumergida en agua; para evitar descargas fatales proceda del siguiente modo si es necesario prestar servicio a la bomba:

- 5A. Corte la corriente eléctrica en la caja de conexiones antes de desconectar el enchufe de la bomba.
- 5B. Proceda con sumo cuidado al cambiar los fusibles. No trabaje con los pies en el agua ni introduzca sus dedos en el zócalo del fusible.
- 5C. No modifique el cable y el enchufe. Si usa cable con enchufe utilice sólo una toma con conexión a masa. Si conecta a un sistema de control, ponga a tierra el cable conector de tierra de la bomba.

6. No haga funcionar la bomba en seco. El funcionamiento en seco sobrecalienta la bomba (puede causar quemaduras a quien la manipule). El sobrecalentamiento invalida la garantía.
7. Las bombas funcionan normalmente en caliente. Para evitar quemaduras al prestar servicios a la bomba déjela enfriar 20 minutos después de desconectarla y antes de manipularla.
8. En servicio normal, no es necesario aceitar el motor. El motor ha sido lubricado en fábrica con aceite especial. Al hacer una reparación, reemplace este aceite por aceite nuevo.

AVISO: Esta unidad no ha sido diseñada para uso con agua salada o salubre. El uso con agua salada o salubre anulará la garantía.

INSTALACIÓN

AVISO: Instale la bomba sobre una superficie dura y nivelada (de cemento, asfalto, etc.) Jamás instale la bomba directamente sobre superficies de tierra, arcilla o grava.

Tubería – efluentes (Sólidos de 3/4 de pulgada o menos)

La tubería debe medir un mínimo de 1 - 1/2 pulgadas para transportar el volumen de descarga de la bomba. Compruebe los códigos locales para determinar si su sistema requiere una válvula de retención. En climas fríos, las válvulas de retención no se utilizan para evitar la congelación del efluente en la tubería.

Si utiliza una bomba de sumidero, se recomienda el uso de una válvula de retención.

Tubería – residuos cloacales (Sólidos de 2 pulgadas o menos)

En todos los casos el diámetro de la tubería debe ser inferior al de la descarga de la bomba. Cuando se instale en un sistema cloacal, la tubería debe ser capaz de conducir semisólidos de por lo menos 2 pulg. (5,1 cm) de diámetro.

La velocidad del flujo en la tubería de descarga debe poder mantener los sólidos en suspensión en el líquido. Para mantener el caudal mínimo necesario (velocidad de 2 pies o 0,6 m por segundo en el caño de descarga) el tamaño del tubo debe ajustarse a los valores de la siguiente tabla:

Un tubo de un diámetro de:	Admite un caudal de:
3,8 cm (1-1/2")	45 LPM (12 GPM)
5,1 cm (2")	80 LPM (21 GPM)
6,3 cm (2-1/2")	114 LPM (30 GPM)
7,6 cm (3")	182 LPM (48 GPM)

RENDIMIENTO

Modelo	(LPH - Litros Por Hora) Por Total de Metros (M)			
	1,5	3	4,5	5,5
2961	14 763	9 653	3 634	0

Si necesita repuestos o asistencia llame al Servicio al Cliente de Simer, 1-800-468-7867/1-800-546-7867

Use una válvula de retención de charnela de 2 pulgadas en la descarga de la bomba para impedir el retorno del líquido al sumidero. La válvula de retención debe ser de flujo libre para permitir que los sólidos pasen con facilidad.

AVISO: Para obtener el mejor desempeño de la válvula de retención cuando se manejen partículas sólidas, no la instale con la tubería de descarga a un ángulo mayor que 45 grados por encima de la horizontal. No instale la válvula de retención en posición vertical ya que las partículas sólidas podrán depositarse en la misma e impedir que la válvula de retención se abra cuando se active la bomba.

Perfore un agujero de 3/16 pulgadas (4,7 mm) en el tubo de descarga a una distancia de 1 a 2 pulgadas (2,5 a 5,1 cm) por encima de la conexión de descarga de la bomba (pero por debajo de la válvula de retención) para impedir el bloqueo por aire de la bomba.

INSTALACIÓN ELÉCTRICA

⚠ ADVERTENCIA Voltaje peligroso, puede ser causa de descargas eléctricas, quemaduras o muerte. Al instalar, operar o prestar servicios a esta bomba, respete las instrucciones de seguridad enumeradas a continuación:

1. NO utilice cable con empalmes para la alimentación eléctrica.
2. NO permita que el enchufe del cordón eléctrico quede sumergido.
3. NO use cables de prolongación. Presentan riesgo de incendio y pueden reducir el voltaje lo suficiente como para impedir el bombeo, dañar el motor o ambas cosas.
4. NO manipule o preste servicios a la bomba mientras esté conectada a la corriente eléctrica.
5. NO saque la clavija (ficha) de puesta a tierra ni modifique el enchufe. Para protección contra la descarga eléctrica el cable de alimentación está constituido por un conductor de tres alambres y termina en un enchufe de tres pernos con puesta a tierra. Enchufe la bomba en un receptáculo de toma de tres alambres del tipo de puesta a tierra, con la tierra conectada. Conecte la bomba respetando los códigos de electricidad que corresponda.

Para el funcionamiento automático, enchufe o conecte la bomba a un interruptor automático de flotante o a un controlador la bomba. Si la bomba se conecta directamente a una toma eléctrica, funcionará en forma continua. La bomba debe conectarse a su propio un ramal individual y no deben colocarse otras tomas o equipo en ese circuito. Determine el calibre de fusible o de disyuntor interruptor basándose en la tabla de calibres de fusible que se encuentra a la derecha.

⚠ ADVERTENCIA Peligro de incendio y de explosión. Puede causar lesiones graves, daños materiales o muerte. El motor no es a prueba de inflamación. No se debe usar en atmósferas explosivas. Asegúrese de que la información sobre la corriente eléctrica (voltaje, frecuencia y número de fases) inscrita en la chapa del motor de la bomba corresponde exactamente a la de la corriente eléctrica utilizada. Instale la bomba en conformidad con todos los códigos de electricidad que corresponda.

TABLA DE CALIBRES DE FUSIBLE

Modelo	HP	Voltaje	Requiere un ramal individual (amperios)	Amperios con fusibles de dos telementos y retardo de tiempo
2961	4/10	115	15	10

OPERACIÓN E INSTALACIÓN

AVISO: No permita que la bomba funcione en un sumidero seco. Si lo hace, invalidará la garantía y podrá dañar la bomba.

El uso de un protector automático de sobrecarga en el motor lo protegerá contra el sobrecalentamiento o la sobrecarga e impedirá que éste se quemé. Cuando el motor se enfría el protector de sobrecarga se reconecta automáticamente y permite el arranque del motor.

Si el protector de sobrecarga funciona con excesiva frecuencia, investigue los motivos. La sobrecarga podría deberse a un rodete trabado, al uso de voltaje erróneo o reducido o a una falla eléctrica en el motor. Si se sospecha que el motor tiene una falla eléctrica, hágalo revisar por personal de servicio competente.

La bomba está lubricada permanentemente y no requiere ser aceiteada o engrasada.

GENERALIDADES

⚠ ADVERTENCIA Voltaje peligroso, puede ser causa de descargas eléctricas, quemaduras o muerte. Antes de retirar la bomba del sumidero para prestarle servicio, desconecte la corriente eléctrica a la bomba y al interruptor de control.

⚠ ADVERTENCIA Riesgo de choque eléctrico. Puede producir quemaduras o la muerte. No levante la bomba por el cordón.


Sumerja la bomba en una solución desinfectante de agua clorada (Clorox, agua lavandina, agua de Javel, etc.) por lo menos durante una hora antes de desarmar la bomba. El motor de la bomba contiene un aceite lubricante especial que debe mantenerse limpio y libre de agua.

⚠ ADVERTENCIA Riesgo de arranques repentinos. Puede provocar choques eléctricos o apretar los dedos o las manos. Si la bomba está conectada cuando el dispositivo de sobrecarga térmica se reposiciona, ésta podrá activarse sin advertencia previa. Desconecte la corriente antes de realizar trabajos de mantenimiento o servicio en la bomba.

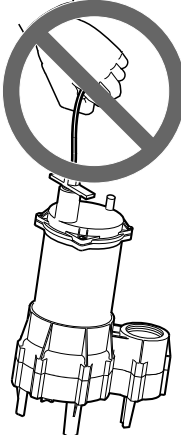

<p>A. La bomba no funciona:</p>	<ol style="list-style-type: none"> 1. Verifique que el cable de alimentación esté enchufado correctamente en el receptáculo. Antes de manipular la bomba o el motor, desconecte la energía eléctrica. 2. Asegúrese de que haya corriente eléctrica. 3. Verifique que el nivel de líquido sea lo suficientemente elevado para activar el interruptor o el control. 4. Verifique que el agujero de 3/16 pulgadas (4,17 mm) en el caño de descarga no esté tapado. 5. Verifique que la entrada de la bomba, el rodete, la válvula de retención o el caño de descarga no estén bloqueados. 6. Es posible que el protector térmico de sobrecarga haya accionado. Haga arrancar la bomba; si arranca y se detiene de inmediato desconecte la bomba de la corriente eléctrica por 30 minutos para permitir que el motor se enfríe; luego vuelva a conectarla a la corriente eléctrica. Investigue la causa del sobrecalentamiento o sobrecarga.
<p>B. La bomba no vacía el sumidero:</p>	<ol style="list-style-type: none"> 1. Asegúrese de que todas las válvulas en la tubería de descarga estén totalmente abiertas. 2. Limpie el caño de descarga y verifique la válvula. 3. Verifique que la entrada de la bomba o el rodete no estén bloqueados. 4. Quizás la bomba no tenga el tamaño correcto y es posible que se requiera una bomba de mayor capacidad.
<p>C. La bomba no se apaga:</p>	<ol style="list-style-type: none"> 1. Verifique que los flotantes del interruptor o el control automático funcionen correctamente y tengan la ubicación adecuada. Consulte las instrucciones de instalación del interruptor o control automático. 2. Si la bomba no funciona en absoluto o continúa funcionando con fallas, consulte al personal de servicio de su localidad.

ADVERTENCIA SOBRE EL LEVANTAMIENTO POR MEDIO DEL CORDÓN

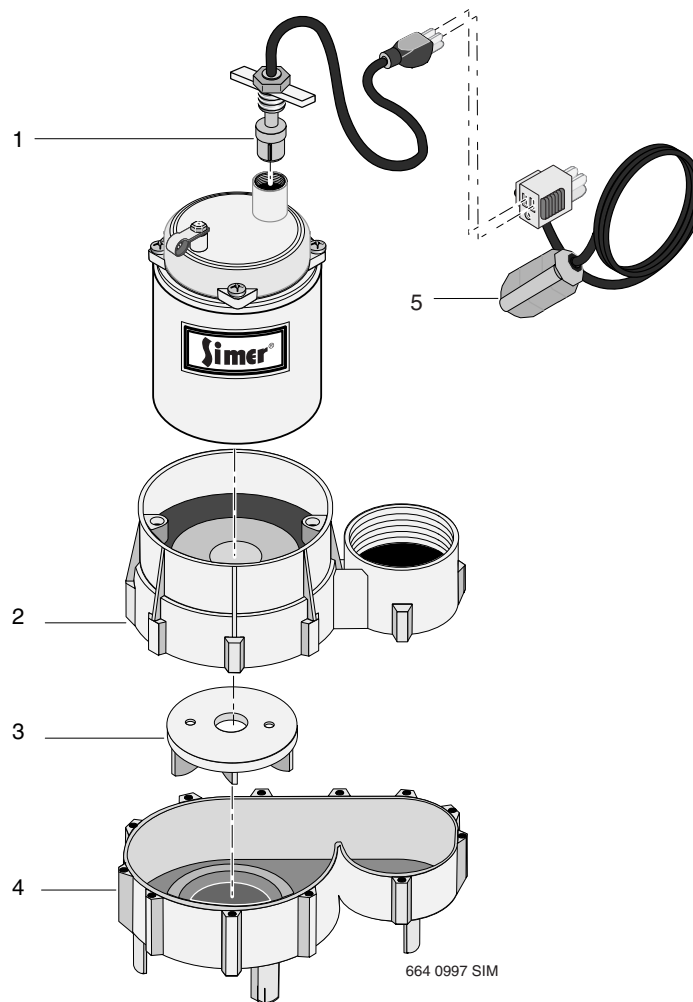
⚠ ADVERTENCIA



Riesgo de choque eléctrico. Puede quemar o matar. No levante la bomba por medio del cordón eléctrico.

1. Se puede dañar el cordón y sus conexiones si se trata de levantar o de sostener la bomba por medio del cordón eléctrico.
2. El cordón se puede abrir, dejando los hilos expuestos y creando la posibilidad de incendio o de choque eléctrico.
3. Si la bomba se levanta o se sostiene por medio del cordón eléctrico, la garantía quedará anulada.
4. Use el aro o mango que se encuentra en la parte superior de la bomba para levantar o bajar la bomba. Desconecte la corriente eléctrica a la bomba antes de realizar trabajos en la misma o de tratar de sacar la bomba del sumidero.



LISTA DE PIEZAS DE REPUESTO

Réf.	Descripción de piezas	Cantidad	2961 115 Voltios
1	Cable de alimentación	1	PS117-54-TSE
2	Voluta superior	1	PW1-10P
3	Rodete	1	PW5-15P
4	Voluta inferior	1	PW1-11P
5	Interruptor automático de flotador	1	PS117-144P

SI EL MOTOR FALLA, REEMPLACE LA BOMBA.