

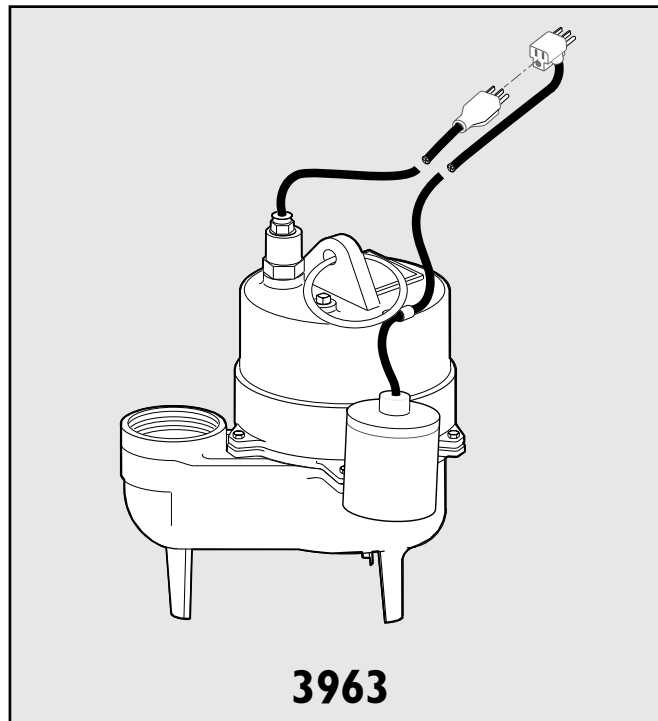
Simer[®]
WE RUN THE WATER IN YOUR HOME™
293 Wright Street, Delavan, WI 53115
Phone: 800-468-7867
Fax: 800-390-5351
www.simerpump.com

OWNER'S MANUAL
**PITMASTER Submersible Solids
Handling Pump**

NOTICE D'UTILISATION
**Pompe submersibles Pitmaster
pour matières solides**

MANUAL DEL USUARIO
**Bomba sumergibles para el
manejo de sólidos "Pitmaster"**

ACE IN THE HOLE
SERIES



Installation/Operation/Parts

*For further operating, installation, or
maintenance assistance:*

Call 800-468-7867

English Pages 2-6

Installation/Fonctionnement/Pièces

*Pour plus de renseignements
concernant l'utilisation,
l'installation ou l'entretien:*

Composer le 1 (800) 468-7867

Français Pages 7-11

Instalación/Operación/Piezas

*Para mayor información sobre el fun-
cionamiento, instalación o manten-
imiento de la bomba:*

Llame al 800-468-7867

Español..... Páginas 12-16

Important Safety Instructions

SAVE THESE INSTRUCTIONS - This manual contains important instructions that should be followed during installation, operation, and maintenance of the product.

▲ This is the safety alert symbol. When you see this symbol on your pump or in this manual, look for one of the following signal words and be alert to the potential for personal injury!

▲ DANGER indicates a hazard which, if not avoided, will result in death or serious injury.

▲ WARNING indicates a hazard which, if not avoided, could result in death or serious injury.

▲ CAUTION indicates a hazard which, if not avoided, could result in minor or moderate injury.

NOTICE addresses practices not related to personal injury.

Carefully read and follow all safety instructions in this manual and on pump.

Keep safety labels in good condition. Replace missing or damaged safety labels.

California Proposition 65 Warning

▲ WARNING This product and related accessories contain chemicals known to the State of California to cause cancer, birth defects or other reproductive harm.

1. Read this manual carefully. Failure to follow these instructions could cause serious bodily injury and/or property damage.
2. Check your local codes before installing. You must comply with their rules.
3. Vent sewage or septic tank according to local codes.
4. Do not install pump in any location classified as hazardous by National Electrical Code, ANSI/NFPA 70-1990.

▲ WARNING Risk of electric shock. Can shock, burn or kill. During operation, the pump is in water. To avoid fatal shocks, proceed as follows if pump needs servicing:

- 5A. Disconnect power to outlet box before unplugging pump.
- 5B. Take extreme care when changing fuses. Do not stand in water or put your finger in fuse socket.

- 5C. Do not modify cord and plug. When using cord and plug, plug into a grounded outlet only. When wiring to a system control, connect pump ground lead to system ground.
6. Do not run pump dry. Dry running can overheat pump, (causing burns to anyone handling it) and will void warranty.
7. Pump normally runs hot. To avoid burns when servicing pump, allow it to cool for 20 minutes after shut-down before handling it.
8. In normal service, motor should not need oiling. Motor has been filled at the factory with a special oil.

Installation

(See Figure 1 for Typical Installation instructions.)

NOTICE Pump must be level when operating. If motor is tilted, internal start/run switch may overheat and damage motor.

▲ WARNING Risk of electric shock. Can shock, burn or kill. Do not lift pump by power cord. See *Cord Lift Warning*. Do not hang pump from discharge pipe or power cord.

1. Install the pump on a solid, level foundation, or in a sump pit constructed of tile, concrete, steel or plastic. The recommended minimum diameter of the sump pit is 18" (46cm) diameter and the minimum recommended depth is 30" (76cm). Check local codes for approved materials.

NOTICE Pump should not be installed on clay, earth or sand surfaces. Clean the area around the pump of small stones and gravel which could clog the pump. Keep the pump inlet screen clear.
2. Thread a 2" discharge pipe into the pump 2" NPT discharge port. Be careful to avoid stripping or crossing threads.

Piping – Effluent Applications (3/4" or Less Solids)

Piping must be 1-1/2" minimum to carry volume of pump discharge. Check local codes to determine if a check valve is required in your system. In cold climates, check valves are not used to prevent effluent from freezing in piping.

Specifications

Model HP	Voltage	Required (Amps)	Individual Branch Circuit Delay Fuse Amps	Dual Element Time
3963	1/2	115	20	20

Performance

	GPH (Liters) At Discharge Ft. of Head				
	5 (1.5m)	10 (3m)	15 (4.6m)	20 (6.1m)	25 (7.6m)
3963	7320(27,709)	5400(20,441)	2700(10,221)	-	-

For parts or assistance, call Simer Customer Service at 800-468-7867

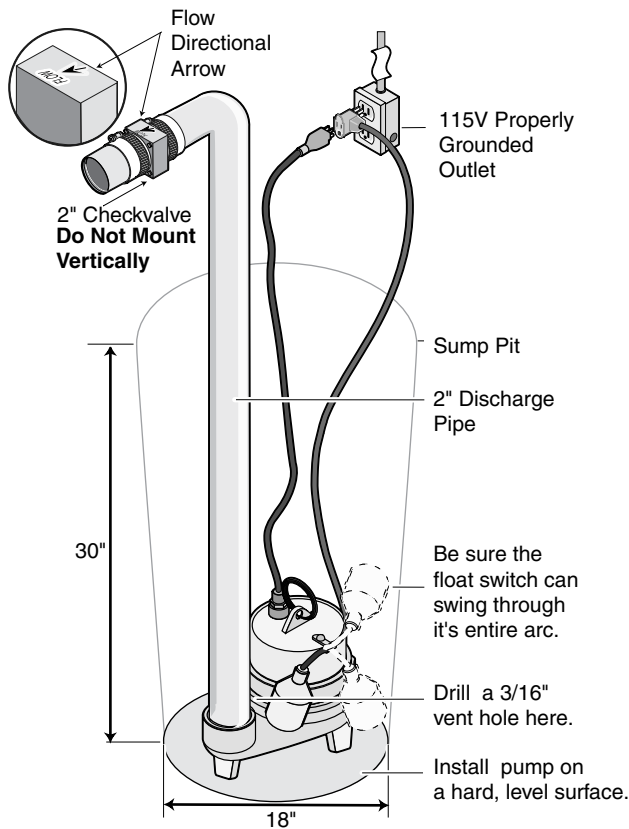


Figure 1

Piping – Sewage Applications (2" or Less Solids)

In any case, piping must not be smaller than pump discharge.

When installed in a sewage system, pipe must be capable of handling semi-solids of at least 2" (5.1 cm) diameter.

The rate of flow in the discharge pipe must keep any solids present in suspension in the fluid. To meet minimum flow requirements (2 feet (.6 m) per second in discharge line), size pipe as follows:

A Pipe Size of:	Will Handle a Flow Rate of:
1-1/2" (3.8 cm)	12 GPM (45 LPM)
2" (5.1 cm)	21 GPM (79 LPM)
2-1/2" (6.3 cm)	30 GPM (113 LPM)
3" (7.6 cm)	48 GPM (181 LPM)

NOTICE Use PTFE pipe thread sealant tape on pipe connections. Do not use ordinary pipe joint compound on plastic pipe or pump. Pipe joint compound can attack plastics and damage pump.

- To reduce motor noise and vibrations, a short length of rubber hose (1-5/8" (41mm) I.D., e.g. radiator hose) can be connected into discharge line near pump using suitable clamps.
- If the pump discharge line is exposed to outside subfreezing atmosphere, then the portion of line

exposed must be installed so any water remaining in pipe will drain to outfall by gravity. Failure to do this can cause water trapped in discharge to freeze which could result in damage to pump.

- Install a 2" check valve in the horizontal portion of the discharge pipe. Make certain, the flow indicating arrow, points away from the pump. This check valve will keep the water from either running back into the basin or into the area being pumped out when the pump is not running. Check valve should be a free flow valve that will easily pass solids.

NOTICE For best performance of check valve when handling solids, do not install it with discharge angled more than 45° above the horizontal. Do not install check valve in a vertical position as solids may settle in valve and prevent opening on startup.

- Drill a 3/16" (4.7mm) hole in discharge pipe about 1"-2" (2.5 - 5.1cm) above pump discharge connection (but below check valve) to prevent airlocking the pump.
- Insert the float switch piggy-back plug into a properly grounded outlet and the pump plug into the piggy-back plug.
- Check the installation by observing the pump operation through one complete cycle. Make sure that no parts of the assembly interfere with the float switch.

CAUTION Risk of flooding. Can cause personal injury and/or property damage. Failure to make this operational check may lead to improper operation, premature failure, and flooding.

Electrical

WARNING Risk of electric shock. Can shock, burn or kill. When installing, operating, or servicing this pump, follow safety instructions listed below.

- DO NOT splice the electrical power cord.
- DO NOT allow electrical cord plug to be submerged.
- DO NOT use extension cords. They are a fire hazard and can reduce voltage sufficiently to prevent pumping and/or damage motor.
- DO NOT handle or service pump while it is connected to power supply.
- DO NOT remove grounding prong from plug or modify plug. To protect against electrical shock, the power cord is a three-wire conductor and includes a 3-prong grounded plug. Plug pump into a 3-wire, grounded, grounding-type receptacle. Connect pump according to electrical codes that apply.

For automatic operation, plug or wire pump into an automatic float switch or pump controller. Pump will run continuously when plugged directly into an electrical outlet. Connect or wire pump to its own individual branch circuit with no other outlets or equipment in the circuit. Size fuses or circuit breakers according to *Specifications*.

⚠ WARNING Risk of electric shock. Can shock, burn or kill. Be sure that power supply information (Voltage/ Hertz/Phase) on pump motor nameplate matches incoming power supply exactly. Install pump according to all electrical codes that apply.

Operation

NOTICE Do not allow pump to run in a dry sump. It will void the warranty and may damage the pump.

An automatic overload protector in the motor will protect motor from burning out due to overheating/overloading. When motor cools down, overload protector will automatically reset and start motor.

If overload trips frequently, check for cause. It could be a stuck impeller, wrong/low voltage, or electrical failure in motor. If an electrical failure in the motor is suspected, have it serviced by a competent repairman.

Pump is permanently lubricated. No oiling or greasing is required.

Maintenance

⚠ WARNING Risk of electric shock. Can shock, burn or kill. Before removing pump from basin for service, always disconnect electrical power to pump and control switch.

⚠ WARNING Risk of electric shock. Can shock, burn or kill. Do not lift pump by power cord. See “Cord Lift Warning” below.

Submerge pump in a disinfectant solution (chlorox or chlorine) for at least one hour before disassembling pump.

The pump motor contains a special lubricating oil which should be kept clean and free of water at all times.


Check operation by filling sump with water and observing pump operation through one complete cycle.

⚠ CAUTION Risk of flooding. Can cause personal injury and/or property damage. Failure to make this operational check may lead to flooding and premature failure.


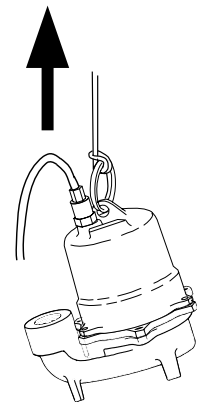
NOTICE This unit is not designed for applications involving salt water or brine! Use with salt water or brine will void warranty.

CORD LIFT WARNING

⚠ WARNING



Risk of electrical shock.
Can burn or kill.
Do not lift pump by power cord.

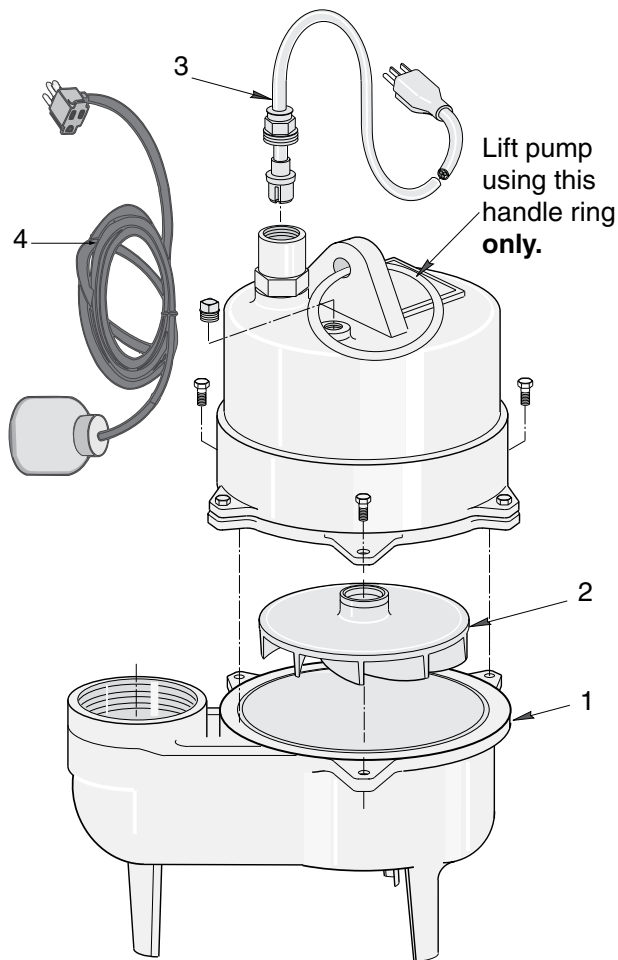



1. Attempting to lift or support pump by power cord can damage cord and cord connections.
2. Cord may pull apart, exposing bare wires with possibility of fire or electrical shock.
3. Lifting or supporting pump by power cord will void warranty.
4. Use lifting ring or handle on top of pump for all lifting/lowering of pump. Disconnect power to pump before doing any work on pump or attempting to remove pump from sump.

Troubleshooting

⚠️ WARNING Risk of sudden starts. Can cause electrical shock and personal injury. If power to pump is on when thermal overload resets, pump may start without warning. Disconnect power before servicing pump.

Pump fails to operate	Check to be sure that power cord is securely plugged into outlet. Disconnect power to outlet before handling pump or motor.
	Check to be sure you have electrical power.
	Check that liquid fluid levels is high enough to activate switch or controller.
	Check to be sure that 3/16" (4.7 mm) vent hole in discharge pipe is not plugged.
	Check for blockage in pump inlet, impeller, check valve or discharge pipe.
	Thermal overload may have tripped. Test start pump; if it starts and then stops immediately, disconnect from power source for 30 minutes to allow motor to cool, then reconnect to power source. Check for cause of overheating/overloading.
	Check the float switch operation for maximum possible clearance.
Pump fails to empty sump	Be sure all valves in discharge valve are fully open.
	Clean out discharge pipe and check valve.
	Check for blockage in pump inlet or impeller.
	Pump not sized properly. A higher capacity pump may be required.
	Check the float switch operation for maximum possible clearance.
Pump will not shut off.	Check switch or controller automatic floats for proper operation, location, and clearance.
	If pump is completely inoperative or continues to malfunction, consult your local serviceman.



Ref.	Description	Qty	3963 115 Volt
1	Volute	1	PW1-13
2	Impeller	1	PW5-11P
3	Power Cord	1	PW117-237-TSE
4	Automatic Float Switch	1	PS117-145P

If Motor Fails, Replace Pump.

Retain Original Receipt For Warranty Eligibility

Limited Warranty

This Limited Warranty is effective June 1, 2011 and replaces all undated warranties and warranties dated before June 1, 2011. SIMER warrants to the original consumer purchaser (“Purchaser” or “You”) that its products are free from defects in material and workmanship for a period of twelve (12) months from the date of the original consumer purchase. If, within twelve (12) months from the original consumer purchase, any such product shall prove to be defective, it shall be repaired or replaced at SIMER’s option, subject to the terms and conditions set forth herein. Note that this limited warranty applies to manufacturing defects only and not to ordinary wear and tear. All mechanical devices need periodic parts and service to perform well. This limited warranty does not cover repair when normal use has exhausted the life of a part or the equipment.

The original purchase receipt and product warranty information label are required to determine warranty eligibility. Eligibility is based on purchase date of original product – not the date of replacement under warranty. The warranty is limited to repair or replacement of original purchased product only, not replacement product (i.e. one warranty replacement allowed per purchase). Purchaser pays all removal, installation, labor, shipping, and incidental charges.

For parts or troubleshooting assistance, DO NOT return product to your retail store. Contact SIMER Customer Service at 800-468-7867.

Claims made under this warranty shall be made by returning the product (except sewage pumps, see below) to the retail outlet where it was purchased or to the factory immediately after the discovery of any alleged defect. SIMER will subsequently take corrective action as promptly as reasonably possible. No requests for service will be accepted if received more than 30 days after the warranty expires. Warranty is not transferable and does not apply to products used in commercial/rental applications.

Sewage Pumps

DO NOT return a sewage pump (that has been installed) to your retail store. Contact SIMER Customer Service. Sewage pumps that have seen service and been removed carry a contamination hazard with them.

If your sewage pump has failed:

- Wear rubber gloves when handling the pump;
- For warranty purposes, return the pump’s cord tag and original receipt of purchase to the retail store;
- Dispose of the pump according to local disposal ordinances.

Exceptions to the Twelve (12) Month Limited Warranty

Product	Warranty Period
BW85P, M40P	90 days
2115, 2300, 2310, 2330, 2943, 2955, 2956, 2957, A5500	2 Years
4” Submersible Well Pumps, 2945, 2958, 2975PC, 3075SS, 3963, 3984, 3995	3 Years
Pre-Charged Pressure Tanks, 3985, 3986, 3988, 3989, 5910, 5950, 5955, 5965, 5975	5 Years

General Terms and Conditions; Limitation of Remedies

You must pay all labor and shipping charges necessary to replace product covered by this warranty. This warranty does not apply to the following: (1) acts of God; (2) products which, in SIMER’s sole judgement, have been subject to negligence, abuse, accident, misapplication, tampering, or alteration; (3) failures due to improper installation, operation, maintenance or storage; (4) atypical or unapproved application, use or service; (5) failures caused by corrosion, rust or other foreign materials in the system, or operation at pressures in excess of recommended maximums.

This warranty sets forth SIMER’s sole obligation and purchaser’s exclusive remedy for defective products.

SIMER SHALL NOT BE LIABLE FOR ANY CONSEQUENTIAL, INCIDENTAL, OR CONTINGENT DAMAGES WHATSOEVER.

THE FOREGOING WARRANTIES ARE EXCLUSIVE AND IN LIEU OF ALL OTHER EXPRESS AND IMPLIED WARRANTIES, INCLUDING BUT NOT LIMITED TO THE IMPLIED WARRANTIES OF MERCHANTABILITY AND FITNESS FOR A PARTICULAR PURPOSE. THE FOREGOING WARRANTIES SHALL NOT EXTEND BEYOND THE DURATION PROVIDED HEREIN.

Some states do not allow the exclusion or limitation of incidental or consequential damages or limitations on how long an implied warranty lasts, so the above limitations or exclusions may not apply to You. This warranty gives You specific legal rights and You may also have other rights which vary from state to state.

SIMER • 293 Wright Street • Delavan, WI U.S.A. 53115
Phone: 800-468-7867 • Fax: 800-390-5351 • www.simerpump.com

Directives de sécurité importantes

Conservez ces directives – Ce manuel renferme d'importantes directives qu'il faut suivre durant l'installation et l'entretien de la pompe.

Ce symbole **▲** indique qu'il faut être prudent. Lorsque ce symbole apparaît sur la pompe ou dans cette Notice, rechercher une des mises en garde qui suivent, car elles indiquent un potentiel de blessures corporelles!

Le mot signal **▲ DANGER** indique un danger qui, s'il n'est pas évité, *causera* la mort ou des blessures graves.

Le mot signal **▲ AVERTISSEMENT** indique un risque qui, s'il n'est pas évité, *pourrait causer* la mort ou des blessures graves.

Le mot signal **▲ ATTENTION** indique un risque qui, s'il n'est pas évité, *pourrait causer* des blessures mineures ou modérées.

Le mot **AVIS** est utilisé pour les pratiques qui ne sont pas reliées aux blessures personnelles.

Lire attentivement toutes les consignes de sécurité contenues dans cette Notice ou collées sur la pompe.

Garder les autocollants de sécurité en bon état; les remplacer s'ils manquent ou s'ils ont été endommagés.

Avertissement lié à la Proposition 65 de la Californie

▲ AVERTISSEMENT Ce produit et les accessoires connexes contiennent des produits chimiques reconnus dans l'État de la Californie comme pouvant provoquer des cancers, des anomalies congénitales ou d'autres dangers relatifs à la reproduction.

1. Lire attentivement ces règles d'utilisation et instructions. Le non-respect de ces prescriptions peut entraîner des blessures graves ou des dommages matériels.
2. Vérifier les codes locaux avant l'installation. Leurs règles doivent être suivies.
3. Ventiler les eaux usées ou le réservoir septique conformément aux règles du code local.
4. Ne pas installer la pompe à un endroit classé dangereux par le Code National de l'électricité, ANSI/NFPA 70-1990.

▲ AVERTISSEMENT **Risque de secousses électriques.** Pouvant causer des brûlures, voire la mort. Pendant son fonctionnement, la pompe est immergée. Pour éviter les chocs électriques mortels, suivre la procédure suivante si la pompe nécessite intervention :

- 5A. Couper l'alimentation au niveau de la prise de courant avant de débrancher la pompe.
- 5B. Exercer la plus grande prudence lors du remplacement des fusibles. Éviter de se placer dans l'eau ou de placer le doigt dans le support du fusible.
- 5C. Ne modifier le cordon d'alimentation. Lors de l'utilisation du cordon et du connecteur, ne les enficher que dans une prise

de courant reliée à la terre. Lorsque la connexion se fait vers le boîtier de commande du système, relier le fil de masse de la pompe à la prise de terre du système.

6. Ne pas faire fonctionner la pompe à vide. Faire fonctionner la pompe sans eau risque de la faire surchauffer (et de causer ainsi des brûlures) et annule la garantie.
7. La pompe chauffe lorsqu'elle fonctionne. Pour éviter les brûlures lors des interventions sur la pompe, la laisser refroidir après la mise à l'arrêt pendant 20 minutes avant de la manipuler.
8. Lors d'une utilisation normale, le moteur ne devrait pas avoir besoin d'huile ; il a été lubrifié en usine avec une huile spéciale.

Installation

(Se reporter à la Figure 1 pour les instructions d'installation-types.)

AVIS Lorsqu'elle fonctionne, la pompe doit être de niveau. Si le moteur est incliné, l'interrupteur de démarrage et de fonctionnement interne risque de surchauffer et le moteur risque d'être endommagé.

▲ AVERTISSEMENT **Risque de secousses électriques.** Pouvant causer des brûlures, voire la mort. Ne pas lever la pompe par son cordon électrique. Se reporter à l'avertissement concernant le levage de la pompe par son cordon électrique. Ne pas suspendre la pompe par le tuyau de refoulement ni par son cordon électrique.

1. Installer la pompe sur une fondation solide et de niveau, ou dans un puisard construit en carreaux, en béton ou en plastique. Le diamètre minimum recommandé du puisard doit être de 46 cm (18 po) et sa profondeur minimum recommandée doit être de 76 cm (30 po). Consulter les codes de la municipalité pour connaître les matériaux approuvés.
AVIS La pompe ne doit pas être installée sur de la glaise, de la terre ou du sable. Enlever toutes les petites pierres et tout le gravier pouvant se trouver à proximité de la pompe de façon qu'elle ne se bouche pas. La crépine d'aspiration de la pompe doit toujours être dégagée (pas obstruée).
2. Visser le tuyau de refoulement de 2 po dans l'orifice de refoulement de 2 po NPT de la pompe. Faire bien attention de ne pas fausser les fils.

Tuyauterie – Utilisation pour les effluents (Matières solides de 3/4 po maximum)

Le diamètre minimum de la tuyauterie doit être de 1 1/2 po pour que tout le volume du refoulement de la pompe puisse circuler. Consulter les codes de la municipalité pour déterminer si un clapet de non retour est requis sur le système. Dans les régions froides, un clapet de non retour n'est pas utilisé, sinon les effluents risqueraient de geler dans la tuyauterie.

Specifications

Modèle	CV	Tension	Circuit de dérivation individual requis (en ampères)	Ampérage de fusibles temporisés bicomposants
3963	1/2	115	20	20

Rendement

	l/h/ Hauteur de refoulement en mètres				
	1,5	3	4,5	6,1	7,5
3963	27 709	20 441	10 221	-	-

Pour obtenir des pièces ou de l'aide, appeler le Service à la clientèle Simer en composant le **800 468-7867**

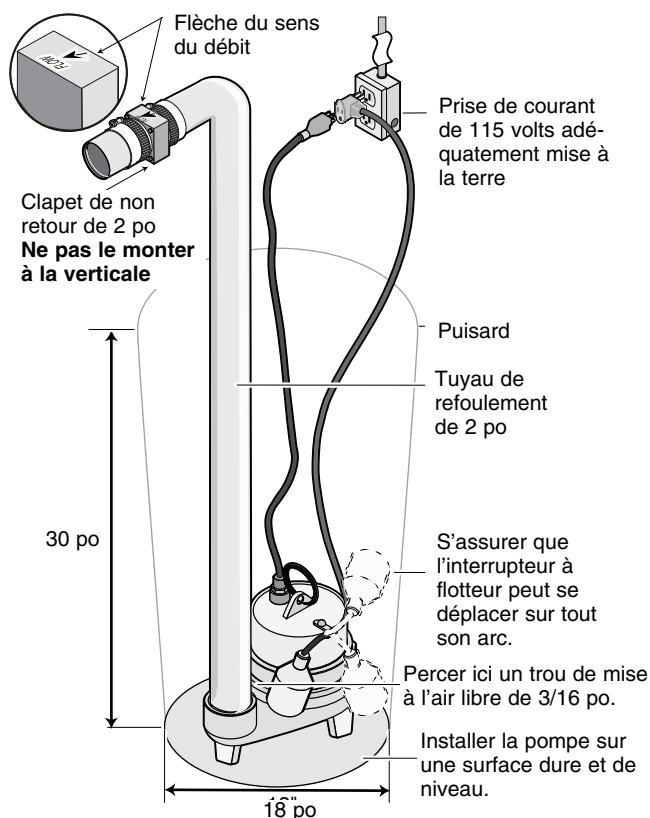


Figure 1

Tuyauterie – Utilisation pour les eaux d’égout (Matières solides de 2 po maximum)

Le diamètre de la tuyauterie ne doit jamais être plus petit que le diamètre du refoulement de la pompe.

Lorsqu’on installe cette pompe sur un réseau d’eaux d’égout, le tuyau doit pouvoir permettre aux matières semi-solides ayant au moins 5,1 cm (2 po) de diamètre de circuler librement.

Dans le tuyau de refoulement, le débit doit pouvoir garder les matières solides présentes en suspension dans le liquide. De façon à pouvoir permettre le débit minimum requis de 60 cm (2 pieds) par seconde dans la conduite de refoulement, déterminer le diamètre des tuyaux en procédant comme suit :

Un tuyau d’un diamètre de:	Assure un débit de:
3,8 cm (1 1/2 po)	45 L/min (12 gal/min)
5,1 cm (2 po)	79 L/min (21 gal/min)
6,3 cm (2 1/2 po)	113 L/min (30 gal/min)
7,6 cm (3 po)	181 L/min (48 gal/min)

AVIS Utiliser du ruban d’étanchéité en PTFE sur tous les raccords de la tuyauterie. Ne pas utiliser de pâte pour raccords filetés ordinaire sur les tuyaux en plastique ou sur la pompe. Les pâtes pour raccords filetés risquent d’attaquer le plastique et d’endommager la pompe.

3. Pour réduire les bruits et les vibrations du moteur, un petit morceau de tuyau en caoutchouc souple (de 41 mm [1 5/8 po] de diamètre intérieur – Par exemple, une durite de radiateur) doit être branché à l’aide de colliers adéquats sur la conduite de refoulement, près de la pompe.

4. Si la conduite de refoulement de la pompe est exposée au gel, la partie de la conduite exposée au gel devra être installée de façon que le liquide pouvant rester dans le tuyau se vide par gravité. Si on ne respecte pas cette recommandation, le liquide emprisonné dans le tuyau de refoulement peut geler, ce qui risque d’endommager la pompe.
5. Poser un clapet de non retour de 2 po sur la partie horizontale du tuyau de refoulement. S’assurer que la flèche du sens du débit est orientée à l’opposé de la pompe. Ce clapet de non retour empêchera le liquide de retourner dans le puisard ou dans la zone de pompage lorsque la pompe s’arrêtera de fonctionner. Le clapet de non retour doit être un clapet à passage total dans lequel les matières solides pourront circuler facilement.

AVIS Pour que les matières solides puissent circuler plus facilement dans le clapet de non retour, ne pas l’installer à un angle supérieur à 45° sur le tuyau de refoulement. Ne pas l’installer non plus en position verticale, étant donné que les matières solides se déposeront sur son battant et l’empêcheront de s’ouvrir au démarrage de la pompe.

6. Percer un trou de 4,7 mm (3/16 po) dans le tuyau de refoulement, entre 2,5 et 5,1 cm (1 et 2 po) au-dessus du raccord de refoulement de la pompe (mais sous le clapet de non retour), pour empêcher la formation de bouchons d’air dans la pompe.
7. Introduire la prise multiple de l’interrupteur à flotteur dans une prise de courant adéquatement mise à la terre, puis brancher la prise de la pompe dans la prise multiple de l’interrupteur à flotteur.
8. Vérifier l’installation en observant le fonctionnement de la pompe sur un cycle complet. S’assurer qu’aucune pièce de l’ensemble ne vienne gêner le fonctionnement de l’interrupteur à flotteur.

ATTENTION Risque d’inondation. Peut causer le mauvais fonctionnement ou une panne prématurée de la pompe. Ne pas procéder à une vérification de fonctionnement de la pompe risquée de causer un fonctionnement inadéquat, une panne prématurée et une inondation.

Électricité

AVERTISSEMENT Risque de secousses électriques. Pouvant causer des brûlures, voire la mort. Lors de l’installation, du fonctionnement de la pompe ou lors d’une intervention sur la pompe, suivre scrupuleusement les instructions ci-dessous :

1. NE PAS épisser le cordon d’alimentation.
2. NE PAS immerger le connecteur du cordon d’alimentation.
3. NE PAS utiliser de rallonges. Elles constituent un danger d’incendie et peuvent réduire la tension de manière suffisante pour empêcher le pompage ou endommager la pompe.
4. NE PAS manipuler la pompe ou intervenir sur la pompe lorsqu’elle est branchée.
5. NE PAS retirer la broche de mise à la masse du connecteur ou modifier celui-ci. Pour assurer la protection contre l’électrocution, le cordon d’alimentation est un conducteur à trois fils et comporte un connecteur à trois broches avec prise de terre. Brancher la pompe dans une prise à 3 fils, raccordée à la masse. Connecter la pompe en accord avec les codes électriques en vigueur.

Pour le fonctionnement automatique, brancher le connecteur de la pompe ou brancher ses fils directement à un interrupteur automatique à flotteur ou à un boîtier de commande en pompe. La pompe fonctionnera de façon permanente lorsqu'elle sera reliée à une prise de courant. Brancher le connecteur ou directement les fils de la pompe sur circuit de dérivation individuel séparé, libre de tout autre équipement ou prise de courant. Sélectionner fusibles ou disjoncteur en fonction du tableau.

⚠ AVERTISSEMENT **Risque de secousses électriques.** Pouvant causer des brûlures, voire la mort. S'assurer que les informations relatives à l'alimentation (tension/ fréquence en Hertz/phase) sur la plaquette d'identification de la pompe correspondent exactement à l'alimentation disponible. Installer la pompe en accord avec les codes électriques en vigueur.

Fonctionnement

AVIS Ne pas faire fonctionner la pompe dans un puisard sec. La garantie sera annulée et la pompe pourra être endommagée.

Une protection automatique contre les surcharges empêche le moteur de brûler suite à une surchauffe/surcharge. Lorsque le moteur se sera refroidi, le dispositif de protection contre les surcharges (le disjoncteur) se réinitialisera automatiquement et relancera le moteur.

Si le moteur disjoncte fréquemment, en rechercher la cause. Il peut s'agir d'un démarreur coincé, d'une tension incorrecte ou trop faible, ou d'une panne électrique à l'intérieur du moteur. Dans ce dernier cas, il faut avoir recours à l'intervention d'un spécialiste.

La pompe a été lubrifiée en usine. Aucun huilage ou graissage n'est nécessaire.

Entretien

⚠ AVERTISSEMENT **Risque de secousses électriques.** Pouvant causer des brûlures, voire la mort. Avant de retirer la pompe du bassin pour une intervention, déconnecter l'alimentation de la pompe et du boîtier de commande.

⚠ AVERTISSEMENT **Risque de secousses électriques.** Pouvant causer des brûlures, voire la mort. Ne pas lever la pompe par le cordon d'alimentation. Se reporter à «Avertissement - Ne pas lever la pompe par le cordon» au-dessus.

Immerger la pompe dans une solution désinfectante (chlorox ou solution chlorée) pendant une heure minimum avant de la démonter.

Le moteur de la pompe contient une huile spéciale qui doit être gardée propre en permanence et ne pas entrer en contact avec de l'eau.

Vérifier le fonctionnement en remplissant d'eau le puisard, puis observer le fonctionnement de la pompe sur un cycle complet.

⚠ ATTENTION **Risque d'inondation.** Peut causer le mauvais fonctionnement ou une panne prématurée de la pompe. Ne pas procéder à cette vérification de fonctionnement risque de causer une inondation et une panne prématurée.

AVIS Cet appareil n'est pas conçu pour pomper de l'eau salée ni de la saumure! L'utiliser pour pomper de l'eau salée ou de la saumure annulera la garantie.

Avertissement concernant le levage par le cordon électrique

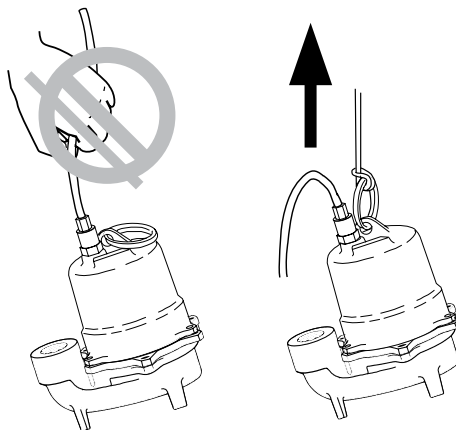
⚠ AVERTISSEMENT



Risque de secousse électrique.

Peut brûler ou tuer.

Ne pas lever la pompe par le cordon électrique.

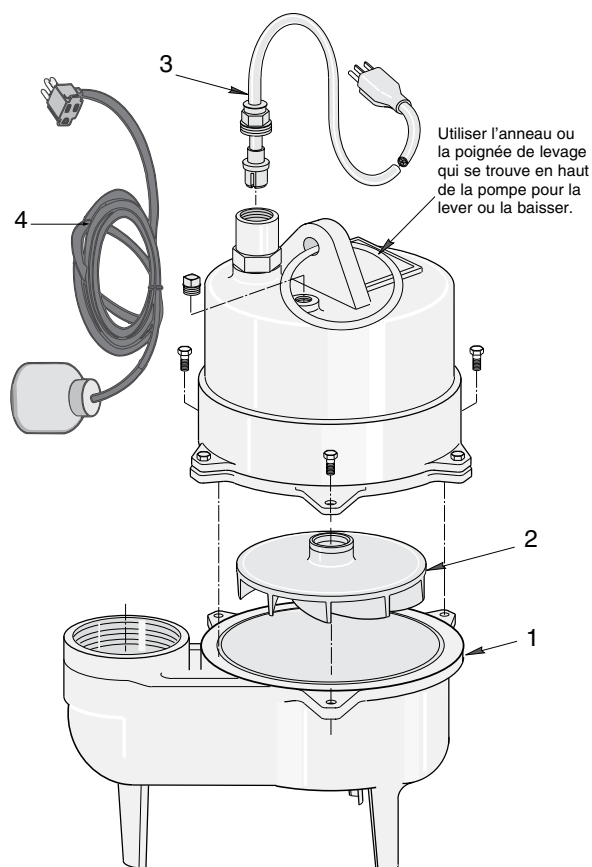


1. Essayer de lever ou de supporter la pompe par le cordon électrique risque d'endommager le cordon électrique et ses connexions.
2. Le cordon électrique peut se détacher, les fils nus peuvent être exposés, ce qui risque de causer un incendie ou des secousses électriques.
3. Lever ou supporter la pompe par le cordon électrique annule la garantie.
4. Utiliser l'anneau ou la poignée de levage qui se trouve en haut de la pompe pour la lever ou la baisser. Couper le courant parvenant à la pompe avant d'intervenir sur la pompe ou avant de sortir la pompe du puisard.

Localisation des pannes

⚠ AVERTISSEMENT **Risque de démarrages brusques.** Pouvant causer des secousses électriques et des blessures corporelles. Si la pompe est alimentée lors de la réinitialisation après surcharge thermique, elle peut se mettre en fonctionnement sans avertissement. Débrancher l'alimentation avant d'intervenir sur la pompe.

La pompe ne fonctionne pas	Vérifier si le cordon est bien enfoncé dans la prise de courant. Déconnecter l'alimentation de la prise de courant avant de manipuler la pompe ou le moteur.
	Vérifier si la tension est bien présente.
	Vérifier si le niveau du liquide est suffisamment haut pour activer le contact ou la commande.
	Vérifier si le trou de ventilation de 4,7 mm (3/16èmes de pouce) du tuyau d'évacuation n'est pas bouché.
	Vérifier un blocage de la crépine d'entrée, du rotor, du clapet de non-retour ou du tuyau d'évacuation.
	Le disjoncteur de surcharge thermique a peut-être fonctionné. Vérifier le démarrage de la pompe: si la pompe démarre et s'arrête aussitôt, la déconnecter de la source d'alimentations pendant 30 minutes pour permettre au moteur de refroidir, puis rebrancher l'alimentation. Rechercher la cause de la surchauffe/de la surcharge.
La pompe ne vide pas puisard	Vérifier si toutes les valves de la valve de refoulement sont complètement ouvertes.
	Nettoyer le tuyau d'évacuation et vérifier la valve.
	Vérifier si la crépine d'entrée ou le rotor ne sont pas bloqués.
	La capacité de la pompe ne convient pas. Il est peut-être nécessaire d'installer une pompe de plus grande capacité.
	Vérifier le fonctionnement de l'interrupteur à flotteur en s'assurant que le dégagement est grandement suffisant.
La pompe ne s'arrête de fonctionner	Vérifier l'interrupteur ou les flotteurs à fonctionnement automatique du coffret de commande pour s'assurer qu'ils fonctionnent adéquatement, qu'ils sont bien positionnés et que le dégagement est adéquat. Consulter les intructions d'installation pour le contact/la commande.
	Si la pompe est complètement hors fonctionnement ou continue à mal fonctionner, consulter le réparateur local.



Réf.	Désignation	Qté	3963 115 Volt
1	Volute	1	PW1-13
2	Rotor	1	PW5-11P
3	Cordon d'alimentation	1	PW117-237-TSE
4	Contact-flotteur autom	1	PS117-145P

Si le moteur tombe en panne, remplacer la pompe.

Conserver le reçu de caisse original aux fins d'admissibilité à la garantie

Garantie limitée

La présente garantie limitée est entrée en vigueur le 1er juin 2011 et remplace toute garantie non datée ou antérieure à cette date. SIMER garantit à l'acheteur/au consommateur d'origine (l'Acheteur) que ses produits sont exempts de tout vice de matériau et de fabrication. Cette garantie est valable pendant douze (12) mois à partir de la date d'achat d'origine. Si, dans les douze (12) mois suivant la date d'achat d'origine, un produit se révèle défectueux, il doit être réparé ou remplacé, à la discrétion de SIMER, selon les modalités énoncées aux présentes. Il est à noter que la présente garantie limitée s'applique aux défauts de fabrication seulement. Elle ne couvre pas l'usure normale. Tout dispositif mécanique doit faire l'objet d'un entretien périodique pour veiller à son bon fonctionnement. La présente garantie limitée ne couvre pas les réparations attribuables à l'usure normale d'une pièce ou de l'équipement.

Le reçu de caisse original et l'étiquette d'information sur la garantie sont nécessaires pour déterminer l'admissibilité à la garantie. Cette dernière est établie en fonction de la date d'achat de l'article et non de la date de son remplacement sous garantie. La garantie se limite à la réparation ou au remplacement de l'article original seulement et ne couvre pas l'article de rechange (c.-à-d. un article remplacé sous garantie par achat). L'Acheteur assume les frais de retrait, d'installation, de transport et tous les frais accessoires.

Pour obtenir des pièces ou de l'aide technique, NE PAS retourner le produit au détaillant. Contacter le service à la clientèle de SIMER au 1 800 468-7867.

Toute demande de règlement en vertu de la présente garantie doit être faite en retournant l'article (à l'exception des pompes de puisard; voir la marche à suivre ci-dessous) au magasin où celui-ci a été acheté ou à l'usine dès qu'une défectuosité est soupçonnée. SIMER prendra les mesures correctives nécessaires dans un délai rapide et raisonnable. Aucune demande de réparation ne sera acceptée plus de 30 jours après l'expiration de la garantie.

La garantie ne peut être cédée et ne s'applique pas aux produits utilisés à des fins commerciales ou de location.

Pompes d'eaux d'égout

NE PAS RETOURNER une pompe d'eaux d'égout (qui a été installée) au détaillant. Communiquer avec le service à la clientèle de SIMER. Les pompes d'eaux d'égout qui ont été utilisées, puis retirées présentent un risque de contamination.

En cas de défaillance de la pompe d'eaux d'égout :

- Porter des gants en caoutchouc pour manipuler la pompe.
- À des fins de garantie, retourner l'étiquette figurant sur le cordon de la pompe et l'original du reçu au détaillant.
- Mettre la pompe au rebut conformément à la réglementation locale.

Exceptions à la garantie limitée de douze (12) mois

Produit	Période de garantie
BW85P, M40P	90 jours
2115, 2300, 2310, 2330, 2943, 2955, 2956, 2957, A5500	2 ans
Pompe pour puits submersibles de 4 pouces, 2945, 2958, 2975PC, 3075SS, 3963, 3984, 3995	3 ans
Réservoir préchargé de système d'eau, 3985, 3986, 3988, 3989, 5910, 5950, 5955, 5965, 5975	5 ans

Modalités générales et restriction des recours

L'Acheteur doit payer tous les frais de main d'œuvre et de transport nécessaires au remplacement du produit garanti couvert par cette garantie. Cette garantie ne s'applique pas à ce qui suit : (1) Les catastrophes naturelles; (2) Les produits qui, selon SIMER, ont fait l'objet d'une négligence, d'une utilisation abusive, d'un accident, d'une mauvaise application ou d'une altération; (3) Les défaillances dues à une installation, une utilisation, un entretien ou un entreposage inappropriés; (4) Une application, une utilisation ou une réparation atypique ou non approuvée; (5) Les défaillances causées par la corrosion, la rouille ou d'autres matériaux étrangers au système, ou par une utilisation à une pression supérieure au maximum recommandé.

Cette garantie établit la responsabilité unique de SIMER et le recours exclusif de l'Acheteur en cas de produit défectueux.

SIMER NE POURRA TRE TENUE RESPONSABLE DE TOUT DOMMAGE INDIRECT OU CONSÉCUTIF QUEL QU'IL SOIT.

LA GARANTIE LIMITÉE SUSMENTIONNÉE EST EXCLUSIVE ET REMPLACE TOUTES LES AUTRES GARANTIES EXPRESSES ET TACITES, Y COMPRIS, MAIS SANS S'Y LIMITER, LES GARANTIES DE QUALITÉ MARCHANDE ET D'ADAPTATION À UN USAGE PARTICULIER. LA GARANTIE LIMITÉE SUSMENTIONNÉE NE DOIT PAS ÊTRE PROLONGÉE AU-DELÀ DE LA DURÉE PRÉVUE AUX PRÉSENTES.

Certains États ne permettent pas l'exclusion ou la limitation des dommages indirects ou consécutifs, ni les limitations relatives à la durée des garanties implicites. Par conséquent, il se peut que les limitations ou les exclusions ci-dessus ne s'appliquent pas. Cette garantie procure des droits juridiques précis à l'Acheteur. Cependant, il est possible de bénéficier d'autres droits, qui varient selon l'État.

SIMER • 293 Wright Street • Delavan, WI U.S.A. 53115

Téléphone : 800 468-7867 • Télécopieur : 800 390-5351 • www.simerpump.com

Instrucciones importantes de seguridad

Guarde estas instrucciones - Este manual contiene instrucciones importantes que se deben seguir durante la instalación y el mantenimiento del bombas de sumidero.

▲ Este es un símbolo de alerta sobre la seguridad. Cuando vea este símbolo en su bomba o en este manual, busque para ver si hay alguna de las siguientes palabras de señal y esté alerta a la posibilidad de lesiones personales.

▲ PELIGRO indica un riesgo que, de no evitarse, *provocará* la muerte o lesiones de gravedad.

▲ ADVERTENCIA indica un riesgo que, de no evitarse, *podría provocar* la muerte o lesiones de gravedad.

▲ PRECAUCIÓN indica un riesgo que, de no evitarse, *podría provocar* lesiones leves o moderadas.

AVISO hace referencia a una práctica no relacionada con una lesión física.

Lea y siga cuidadosamente todas las instrucciones de seguridad en este manual y en la bomba.

Mantenga las etiquetas de seguridad en buenas condiciones. Reemplace las etiquetas de seguridad faltantes o dañadas.

Advertencia de la Proposición 65 de California

▲ ADVERTENCIA Este producto y accesorios relacionados contienen sustancias químicas reconocidas en el Estado de California como causantes de cáncer, malformaciones congénitas y otros daños al sistema reproductivo.

1. Lea cuidadosamente estas reglas e instrucciones. Su omisión podría provocar graves lesiones y/o daños materiales.
2. Verifique los códigos del lugar de la instalación antes de realizarla. Debe usted respetar estas normas.
3. Instale un sistema de ventilación en el tanque de aguas cloacales o en el tanque séptico de acuerdo con los códigos locales.
4. No instale la bomba en ningún lugar que el Código Nacional de Electricidad, ANSI/NFPA 70-1990, clasifique como peligroso.

▲ ADVERTENCIA **Riesgo de choque eléctrico.** Puede provocar choque, quemadura o muerte.

Durante el funcionamiento la bomba está sumergida en agua; para evitar descargas fatales proceda del siguiente modo si es necesario prestar servicio a la bomba:

- 5A. Corte la corriente eléctrica en la caja de conexiones antes de desconectar el enchufe de la bomba.

- 5B. Proceda con sumo cuidado al cambiar los fusibles. No trabaje con los pies en el agua ni introduzca sus dedos en el zócalo del fusible.
- 5C. No modifique el cable y el enchufe. Si usa cable con enchufe utilice sólo una toma con conexión a masa. Si conecta a un sistema de control, ponga a tierra el cable conector de tierra de la bomba.
6. No haga funcionar la bomba en seco. El funcionamiento en seco sobrecalienta la bomba (puede causar quemaduras a quien la manipule). El sobrecalentamiento invalida la garantía.
7. Las bombas funcionan normalmente en caliente. Para evitar quemaduras al prestar servicios a la bomba déjela enfriar 20 minutos después de desconectarla y antes de manipularla.
8. En servicio normal, no es necesario aceitar el motor. El motor ha sido lubricado en fábrica con aceite especial. Al hacer una reparación, reemplace este aceite por aceite nuevo.

INSTALACIÓN

(Consulte la Figura 1 para obtener las instrucciones de una instalación típica)

AVISO La bomba debe estar nivelada cuando esté funcionando.

Si el motor está inclinado, es posible que el interruptor interno de inicio/marcha se recaliente y perjudique el motor.

▲ ADVERTENCIA **Riesgo de choque eléctrico.** Puede provocar choque, quemadura o muerte. No levante la bomba por medio del cordón eléctrico. Consulte la "Advertencia sobre levantar por medio del cordón", en la página 14. No cuelgue la bomba del tubo de descarga ni del cordón eléctrico.

1. Instale la bomba sobre una base sólida y nivelada, o en un pozo de recogida construido de baldosas, hormigón, acero o plástico. El diámetro mínimo recomendado del pozo de recogida es de 18 pulgadas (46 cm) y la profundidad mínima recomendada es de 30 pulgadas (76 cm). Verifique los códigos locales para obtener información sobre los materiales aprobados.

AVISO No instale la bomba sobre superficies de arcilla, tierra o arena. Limpie el área alrededor de la bomba para eliminar las piedras pequeñas y la gravilla que puedan obturar la bomba. Mantenga la malla de admisión de la bomba despejada y limpia.

2. Enrosque un tubo de descarga de 2" en el orificio de descarga de la bomba de 2" NPT. Tenga cuidado de no estropear ni cruzar las roscas.

Especificaciones

Modelo	HP	Voltaje	Requiere un ramal individual (amperios)	Amperios con fusible de dos telementos y retardo de tiempo
3963	1/2	115	20	20

Rendimiento

(l/h - Litros por hora) Por total de pies (m)					
	1,5	3	4,5	6,1	7,5
3963	27 709	20 441	10 221	-	-

Si necesita repuestos o asistencia llame al Servicio al Cliente de Simer, 800-468-7867

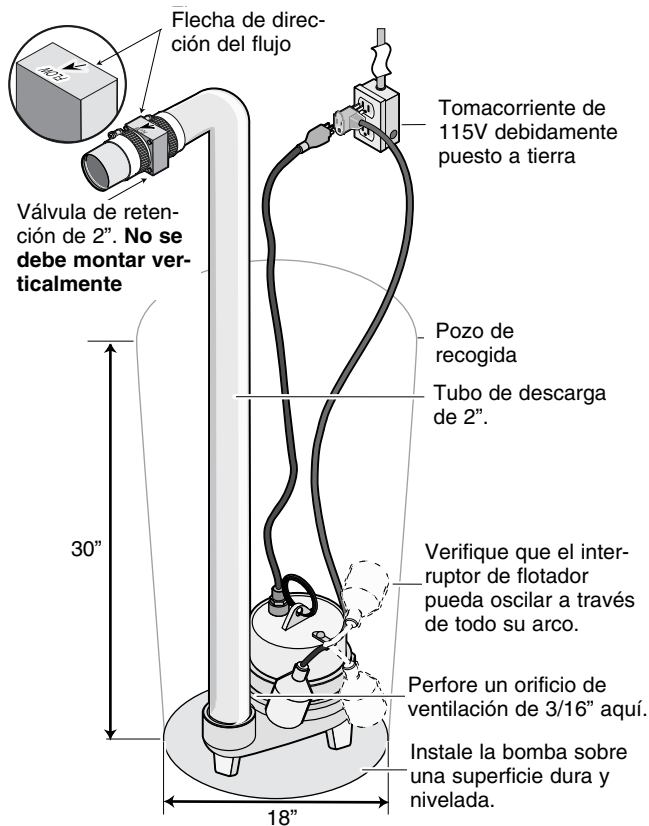


Figura 1

Tubería – Usos con efluente(partículas sólidas de 3/4” o menores)

La tubería debe ser de 1-1/2” como mínimo para acarrear el volumen de descarga de la bomba. Verifique los códigos locales para determinar si es necesario instalar una válvula de retención en su sistema. En climas fríos, no se usan válvulas de retención para evitar que el efluente se congele en la tubería.

Tubería – Usos con aguas residuales (partículas sólidas de 2” o menores)

En todos los casos, la tubería no debe ser menor que la descarga de la bomba. Cuando se instale en un sistema de aguas residuales, la tubería deberá ser capaz de acarrear partículas semi-sólidas de 2” (5.1 cm) de diámetro como mínimo.

El caudal en la tubería de descarga debe mantener todas las partículas sólidas presentes en suspensión en el líquido. Para satisfacer los requerimientos mínimos de flujo (2 pies (0.6 m) por segundo en la línea de descarga), el tamaño de la tubería debe ser el siguiente:

Un tubo de un diámetro de:	Assure un débit de:
3,8 cm (1 1/2")	45 LPM (12 GPM)
5,1 cm (2")	79 LPM (21 GPM)
6,3 cm (2 1/2")	113 LPM (30 GPM)
7,6 cm (3 ")	181 LPM (48 GPM)

AVISO Use cinta de PTFE en las conexiones de la tubería. No use compuestos comunes para unir tubos en tuberías de plástico o en la bomba. El compuesto para unir tubos puede atacar el plástico y dañar la bomba.

- Para reducir el ruido y las vibraciones del motor, se puede conectar una manguera de caucho corta (1´5/8” (41 mm) de diámetro interior, por ej. una manguera de radiador) en la línea de descarga cerca de la bomba, usando abrazaderas adecuadas.
- Si la línea de descarga de la bomba está expuesta a temperaturas externas debajo del punto de congelación, la porción de la línea que esté expuesta deberá ser instalada de manera que el agua que pueda permanecer en la tubería, drene hacia la salida por gravedad. Si se ignora esta recomendación, el agua que quede atrapada en la descarga se podrá congelar y provocar daños a la bomba.
- Instale una válvula de retención de 2” en la porción horizontal de la tubería de descarga. Verifique que la flecha que indica la dirección del flujo apunte en dirección opuesta a la bomba. Esta válvula de retención impedirá que el agua regrese hacia la pileta o hacia el área que se esté bombeando cuando la bomba no esté en marcha. La válvula de retención debe ser una válvula de flujo libre que pueda pasar partículas sólidas con facilidad.

AVISO Para obtener el mejor rendimiento de la válvula de retención cuando se trate de partículas sólidas, no la instale con la descarga a un ángulo mayor de 45° sobre la línea horizontal. No instale la válvula de retención en posición vertical ya que las partículas sólidas podrán asentarse en la válvula y evitar que se abra cuando la bomba se encienda.

- Perfore un orificio de 3/16” (4.7 mm) en la tubería de descarga, entre 1” y 2” (2.5 – 5.1 cm) por encima de la conexión de descarga de la bomba (pero por debajo de la válvula de retención) para evitar la creación de bolsas de aire en la bomba.
- Introduzca el enchufe superpuesto del interruptor de flotador en un tomacorriente debidamente puesto a tierra y el enchufe de la bomba en el enchufe superpuesto.
- Verifique la instalación observando el funcionamiento de la bomba a través de un ciclo completo. Asegúrese de que ninguna pieza de la unidad interfiera con el interruptor de flotador.

PRECAUCIÓN **Riesgo de inundación.** Puede provocar lesiones personales y/o daños materiales. Si se ignora esta recomendación de verificar el funcionamiento, existe el riesgo de un funcionamiento incorrecto, fallas prematuras e inundación.

Instalación eléctrica

ADVERTENCIA **Riesgo de choque eléctrico.** Puede provocar choque, quemadura o muerte. Al instalar, operar o prestar servicios a esta bomba, respete las instrucciones de seguridad enumeradas a continuación:

- NO utilice cable con empalmes para la alimentación eléctrica.
- NO permita que el enchufe del cordón eléctrico quede sumergido.
- NO use cables de prolongación. Presentan riesgo de incendio y pueden reducir el voltaje lo suficiente como para impedir el bombeo, dañar el motor o ambas cosas.
- NO manipule o preste servicios a la bomba mientras esté conectada a la corriente eléctrica.
- NO saque la clavija (ficha) de puesta a tierra ni modifique el enchufe. Para protección contra la descarga eléctrica el cable de alimentación está constituido por un conductor de tres alambres y termina en un enchufe de tres pernos con puesta a tierra. Enchufe la bomba en un receptáculo de toma de tres alambres del tipo de puesta a tierra, con la tierra conectada. Conecte la bomba respetando los códigos de electricidad que corresponda.

Para el funcionamiento automático, enchufe o conecte la bomba a un interruptor automático de flotante o a un controlador la bomba. Si la bomba se conecta directamente a una toma eléctrica, funcionará en forma continua. La bomba debe conectarse a su propio un ramal individual y no deben colocarse otras tomas o equipo en ese circuito. Los fusibles o disyuntores de circuito deben tener la capacidad que se indica en el cuadro que en la página 12.

⚠ ADVERTENCIA **Riesgo de choque eléctrico.** Puede provocar choque, quemadura o muerte. Asegúrese de que la información sobre la corriente eléctrica (voltaje, frecuencia y número de fases) inscrita en la chapa del motor de la bomba corresponde exactamente a la de la corriente eléctrica utilizada. Instale la bomba en conformidad con todos los códigos de electricidad que corresponda.

Operación

AVISO No permita que la bomba funcione en un sumidero seco. Si lo hace, invalidará la garantía y podrá dañar la bomba.

El uso de un protector automático de sobrecarga en el motor lo protegerá contra el sobrecalentamiento o la sobrecarga e impedirá que éste se quemé. Cuando el motor se enfría el protector de sobrecarga se reconecta automáticamente y permite el arranque del motor.

Si el protector de sobrecarga funciona con excesiva frecuencia, investigue los motivos. La sobrecarga podría deberse a un rodete trabado, al uso de voltaje erróneo o reducido o a una falla eléctrica en el motor. Si se sospecha que el motor tiene una falla eléctrica, hágalo revisar por personal de servicio competente.

La bomba está lubricada permanentemente y no requiere ser aceiteada o engrasada.

Mantenimiento

⚠ ADVERTENCIA **Riesgo de choque eléctrico.** Puede provocar choque, quemadura o muerte. Antes de retirar la bomba del sumidero para prestarle servicio, desconecte la corriente eléctrica a la bomba y al interruptor de control.

⚠ ADVERTENCIA **Riesgo de choque eléctrico.** Puede provocar choque, quemadura o muerte. No levante la bomba por el cordón. Ver “Advertencia de no levantar la bomba por el cordón” debajo.

Sumerja la bomba en una solución desinfectante de agua clorada (Clorox, agua lavandina, agua de Javel, etc.) por lo menos durante una hora antes de desarmar la bomba. El motor de la bomba contiene un aceite lubricante especial que debe mantenerse limpio y libre de agua.


Verifique el funcionamiento llenando el sumidero con agua y observando el funcionamiento de la bomba a través de un ciclo completo.

⚠ PRECAUCIÓN **Riesgo de inundación.** Puede provocar lesiones personales y/o daños materiales. Si se ignora esta verificación de funcionamiento, existe el riesgo de inundación o fallas prematuras.


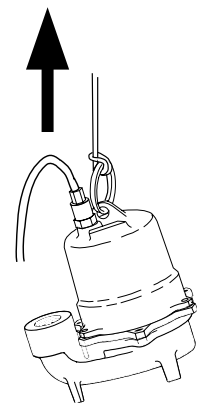
AVISO ¡Esta unidad no ha sido diseñada para aplicaciones con agua salada o salmuera! El uso con agua salada o salmuera anulará la garantía.

Advertencia sobre el levantamiento por medio del cordón

⚠ ADVERTENCIA



Riesgo de choque eléctrico. Puede producir quemaduras o la muerte. No levante la bomba por el cordón.

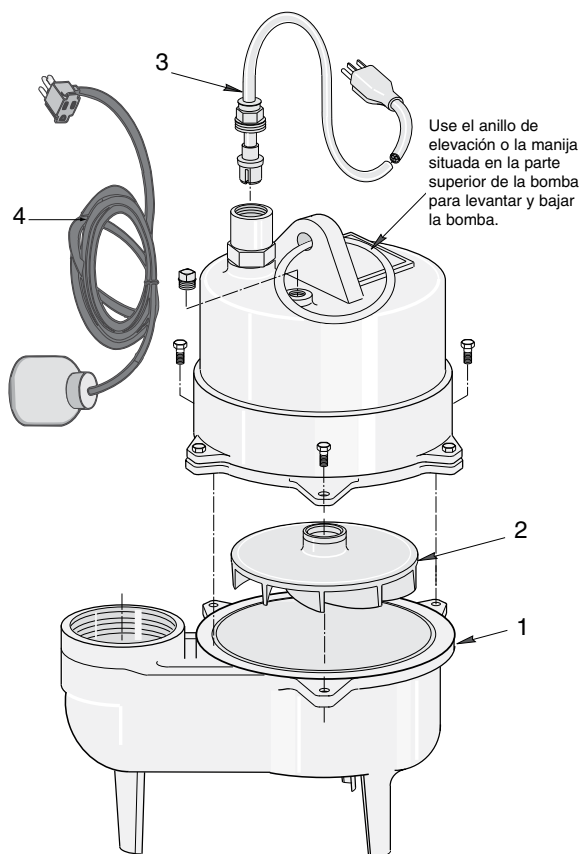



1. Si se levanta o sujeta la bomba por el cordón de alimentación eléctrica puede dañar el cordón y las conexiones.
2. El cordón se puede salir dejando al descubierto los alambres desnudos con la posibilidad de incendio o choque eléctrico.
3. Si levanta o sujeta la bomba por el cordón anulará la garantía.
4. Use el anillo de elevación o la manija situada en la parte superior de la bomba para levantar y bajar la bomba. Desconecte la energía eléctrica hacia la bomba antes de trabajar en la bomba o de sacarla del sumidero.

Diagnostic des pannes

⚠ ADVERTENCIA Riesgo de arranques repentinos. Puede provocar choque eléctrico y lesiones personales. Si la corriente a la bomba está conectada cuando se repone el protector térmico de sobrecarga, la bomba podrá arrancar inesperadamente. Desconecte la corriente antes de prestar servicio a la bomba.

La bomba no funciona:	Verifique que el cable de alimentación esté enchufado correctamente en el receptáculo. Antes de manipular la bomba o el motor, desconecte la energía eléctrica.
	Asegúrese de que haya corriente eléctrica.
	Verifique que el nivel de líquido sea lo suficientemente elevado para activar el interruptor o el control.
	Verifique que el agujero de 3/16 pulgadas (4,17 mm) en el caño de descarga no esté tapado.
	Verifique que la entrada de la bomba, el rodete, la válvula de retención o el caño de descarga no estén bloqueados.
	Es posible que el protector térmico de sobrecarga haya accionado. Haga arrancar la bomba; si arranca y se detiene de inmediato desconecte la bomba de la corriente eléctrica por 30 minutos para permitir que el motor se enfríe; luego vuelva a conectarla a la corriente eléctrica. Investigue la causa del sobrecalentamiento o sobrecarga.
	Verifique el funcionamiento del interruptor de flotador para asegurarse de que haya el máximo de juego posible.
La bomba no vacía el sumidero	Asegúrese de que todas las válvulas en la tubería de descarga estén totalmente abiertas.
	Limpie el caño de descarga y verifique la válvula.
	Verifique que la entrada de la bomba o el rodete no estén bloqueados.
	Quizás la bomba no tenga el tamaño correcto y es posible que se requiera una bomba de mayor capacidad.
	Verifique el funcionamiento del interruptor de flotador para asegurarse de que haya el máximo de juego posible.
La bomba no se apaga	Verifique el funcionamiento, la ubicación y el juego adecuado de los flotadores automáticos del interruptor o del controlador. Consulte las instrucciones de instalación del interruptor o control automático.
	Si la bomba no funciona en absoluto o continúa funcionando con fallas, consulte al personal de servicio de su localidad.



Ref.	Descripción	Cant.	3963 115 Volt
1	Caja espiral	1	PW1-13
2	Rodete	1	PW5-11P
3	Cable de alimentación	1	PW117-237-TSE
4	Interruptor automático de flotador	1	PS117-145P

Si el motor falla, reemplace la bomba.

Retener el recibo original a fin de determinar la elegibilidad para la garantía

Garantía limitada

Esta Garantía Limitada entra en vigor el 1 de junio de 2011 y sustituye toda garantía sin fecha o garantía con fecha anterior al 1 de junio de 2011.

SIMER le garantiza al comprador consumidor original (el "Comprador" o "Usted") de sus productos, que éstos estarán libres de defectos en materiales y en mano de obra por un período de doce (12) meses, a partir de la fecha de la compra original del consumidor. Si dentro de los doce (12) meses a partir de la fecha de la compra inicial del consumidor, Será reparado o reemplazado a opción de la SIMER, sujeto a los términos y condiciones establecidos en la presente. Tome nota de que esta garantía limitada cubre defectos de manufactura solamente y no el desgaste común. Todos los aparatos mecánicos periódicamente necesitan repuestos y servicio para un funcionamiento correcto. Esta garantía limitada no cubre las reparaciones que se realicen cuando el uso normal haya agotado la vida útil de una pieza o del aparato.

Es necesario retener el recibo de compra original y la etiqueta de información de la garantía a fin de determinar la elegibilidad para la garantía. La elegibilidad se basa en la fecha de compra del producto original - no en la fecha del reemplazo bajo la garantía. La garantía es limitada y cubre solamente la reparación o el reemplazo del producto original adquirido, no del producto reemplazado (es decir que se permite un reemplazo por compra bajo la garantía). El comprador pagará todos los costos de remoción, instalación, mano de obra y envío necesarios, así como todo costo adicional asociado.

Si necesita piezas o resolución de problemas, NO regrese el producto a la tienda minorista. Llame el Servicio a la Clientela de SIMER al 1-800-468-7867.

Las reclamaciones hechas bajo esta garantía se realizarán mediante la devolución del producto (a excepción de las bombas cloacales - ver a continuación) al concesionario de venta al público en donde se haya adquirido o a la fábrica, inmediatamente después de haber descubierto cualquier presunto defecto. SIMER entonces tomará la medida correctiva tan pronto como sea razonablemente posible. No se aceptarán solicitudes de servicio, si se reciben más de 30 días después del vencimiento de esta garantía.

La garantía no es transferible y no cubre productos utilizados en aplicaciones comerciales o de alquiler.

Bombas cloacales

NO devuelva una bomba cloacal (que se haya instalado) a su tienda minorista. Comuníquese con el Departamento de Atención al Cliente de SIMER. Las bombas cloacales que hayan estado en servicio y se hayan removido pueden representar un peligro de contaminación.

Si su bomba cloacal ha fallado:

- Use guantes de caucho cuando manipule la bomba;
- Para los fines de la garantía, devuelva la etiqueta del cordón de la bomba y el recibo de compra original a la tienda minorista;
- Descarte la bomba cumpliendo con todas las normas locales que correspondan para su eliminación.

Excepciones para la garantía limitada de doce (12) meses

Producto	Período de garantía
BW85P, M40P	90 días
2115, 2300, 2310, 2330, 2943, 2955, 2956, 2957, A5500	2 años
Bombas de pozo sumergibles de 4", 2945, 2958, 2975PC, 3075SS, 3963, 3984, 3995	3 años
Tanque precargado del sistema de agua, 3985, 3986, 3988, 3989, 5910, 5950, 5955, 5965, 5975	5 años

Términos y condiciones generales; Limitación de recursos

Usted deberá pagar por todos los gastos de mano de obra y de envío necesarios para reemplazar el producto cubierto por esta garantía. Esta garantía no se aplicará en las siguientes situaciones: (1) caso de fuerza mayor (2) productos que, a sólo juicio de SIMER hayan sido sometidos a negligencia, abuso, accidente, mala aplicación, manejo indebido o alteraciones; (3) fallas debido a instalación, operación, mantenimiento o almacenamiento inadecuados; (4) aplicaciones, usos o servicios que no sean normales o aprobados; (5) fallas provocadas por corrosión, herrumbre u otros materiales extraños en el sistema, o una operación a presiones que excedan los máximos recomendados.

Esta garantía establece la única obligación de SIMER y el recurso exclusivo del Comprador con respecto a los productos defectuosos. SIMER NO SE HARÁ RESPONSABLE DE NINGÚN DAÑO—O CONSECUENTE, INCIDENTAL O CONTINGENTE.

LAS GARANTÍAS LIMITADAS QUE ANTECEDEN SON EXCLUSIVAS Y EN LUGAR DE TODA OTRA GARANTÍA EXPLÍCITA E IMPLÍCITA, INCLUYENDO, PERO SIN LIMITARSE A LAS GARANTÍAS IMPLÍCITAS DE COMERCIABILIDAD E IDONEIDAD PARA UN FIN ESPECÍFICO. LAS GARANTÍAS LIMITADAS QUE ANTECEDEN NO SE EXTENDERÁN MÁS ALLÁ DEL PERÍODO DE DURACIÓN INDICADO EN LA PRESENTE.

Algunos Estados no permiten la exclusión o limitación de daños incidentales o consecuentes o de limitaciones de tiempo sobre garantías implícitas, de modo que es posible que las limitaciones o exclusiones que preceden no correspondan en su caso. Esta garantía le otorga derechos legales específicos y es posible que Usted también tenga otros derechos que pueden variar de un Estado al otro.

SIMER • 293 Wright Street • Delavan, WI U.S.A. 53115
Teléfono: 800-468-7867 • Fax: 800-390-5351 • www.simerpump.com