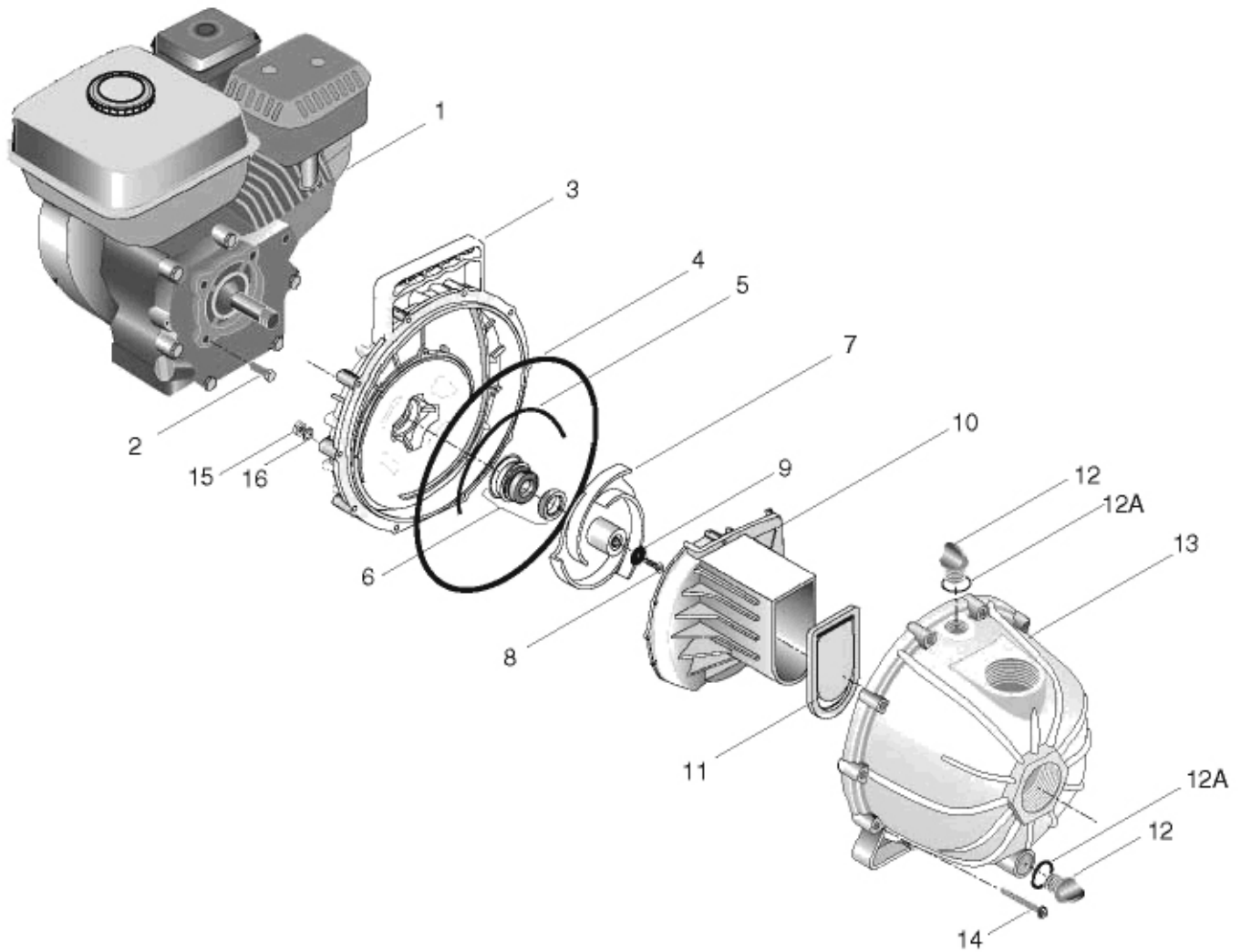


## Pump Exploded View



Item	Description	Qty.	Part Number
1	Engine	1	*
2	Engine Mount Screws, 5/16-24 x .75	4	†
3	Seal Plate	1	M13906
4	O-Ring, Pump Body	1	M13910
5	Diffuser Gasket (O-Ring Segment)	1	M13918
6	Mechanical Seal	1	M13914
7	Impeller Kit (Includes Impeller Key)	1	M14457KIT
8	Impeller screw, 5/16-24 x 1.25	1	U30-986
9	Rubber Washer for Impeller Screw	1	M13913
10	Diffuser	1	M13907
11	Flapper Valve	1	M13909
12	Plug	2	M13911
12A	O-Ring, Plug	2	M13912
13	Pump Housing	1	M13905
14	Screw, 1/4-20x2.5 hex Head Machine Screw	10	†
15	Nuts, 1/4-20	10	†
16	Lockwasher	10	†
	• Screw, Diffuser, #6 x 1/2 Self-Tapping	2	†
	• Screw, Diffuser, #10 x 1-1/2 Self-Tapping	1	†

• Not illustrated.

† Purchase locally.

\* If needed, replace entire pump.