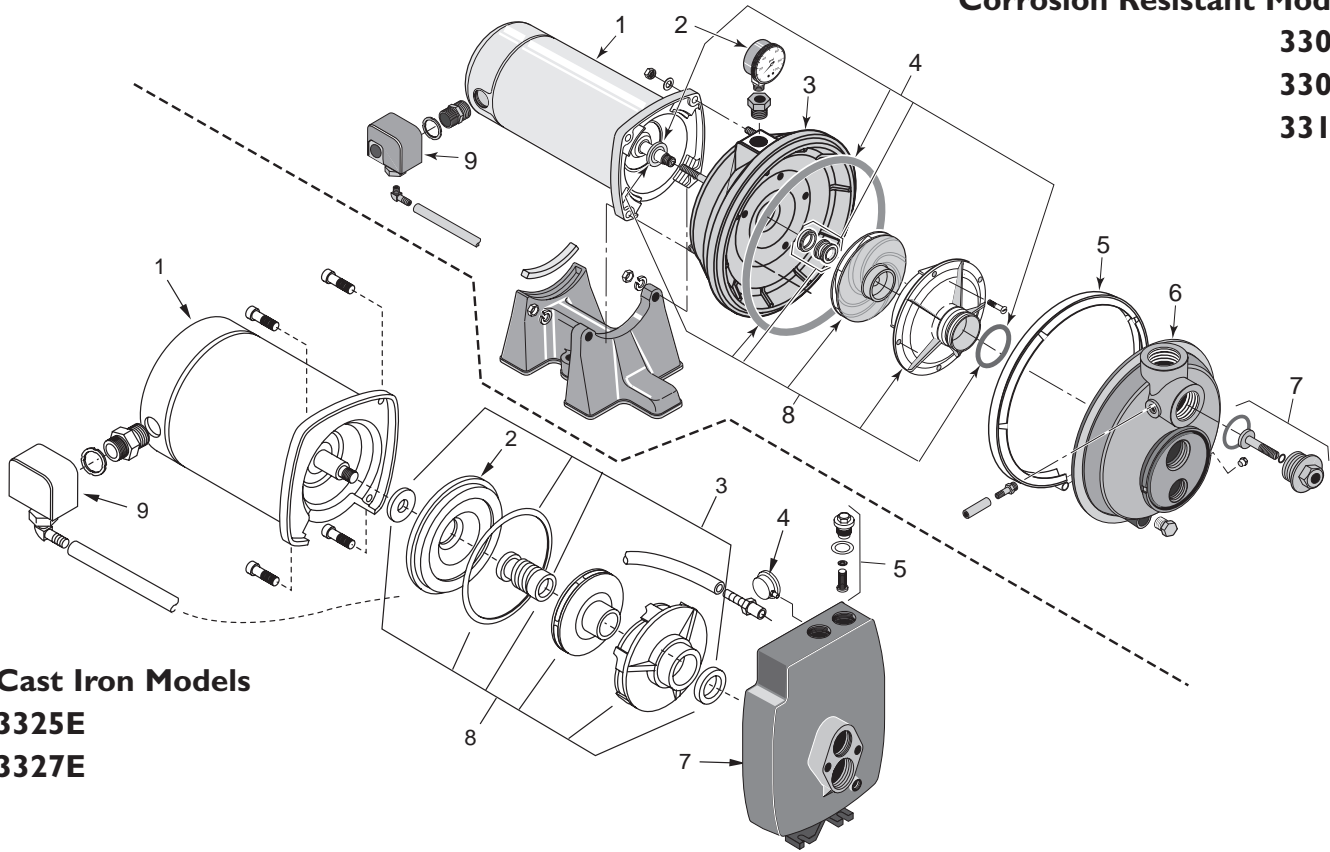


## Corrosion Resistant Models

**3305P**  
**3307P**  
**3310P**



## Cast Iron Models

**3325E**  
**3327E**

Ref.	Part Description	Model and HP		
		3305P 1/2HP	3307P 3/4HP	3310P 1 HP
1	Motor	J218-582A-115-PKG	J218-590-PKG	J218-596-PKG
2	Pressure Gauge	TC2104		
3	Pump Body (Back Half)	L176-47P		
4	Seal & Gasket Kit *	FPP1500		
5	V-Clamp Assembly	C19-54SS		
6	Pump Body (Front Half)	L76-37P		
7	Control Valve Assembly	L162-10PS		
8	Overhaul Kit **	FPP1511	FPP1512	FPP1513
9	Pressure Switch Assembly	TC2151		

Ref.	Part Description	Model and HP	
		3325E 1/2HP	3327E 3/4HP
1	Motor	J218-582A-115-PKG	A100DL
2	Seal Plate	N3-1043P	
3	Seal & Gasket Kit*	FPP1550	
4	Pressure Gauge	TC2104	
5	Control Valve Assembly	01322	
7	Pump Body	L76-44	
8	Overhaul Kit**	FPP1560	FPP1561
9	Pressure Switch	TC2151	

\* Includes: water slinger, seal plate O-ring or gasket, shaft seal, diffuser pad, and diffuser O-ring or gasket.

\*\* Includes: Seal and Gasket Kit plus seal plate insert, impeller and diffuser.

Repair instructions are included with all repair kits.