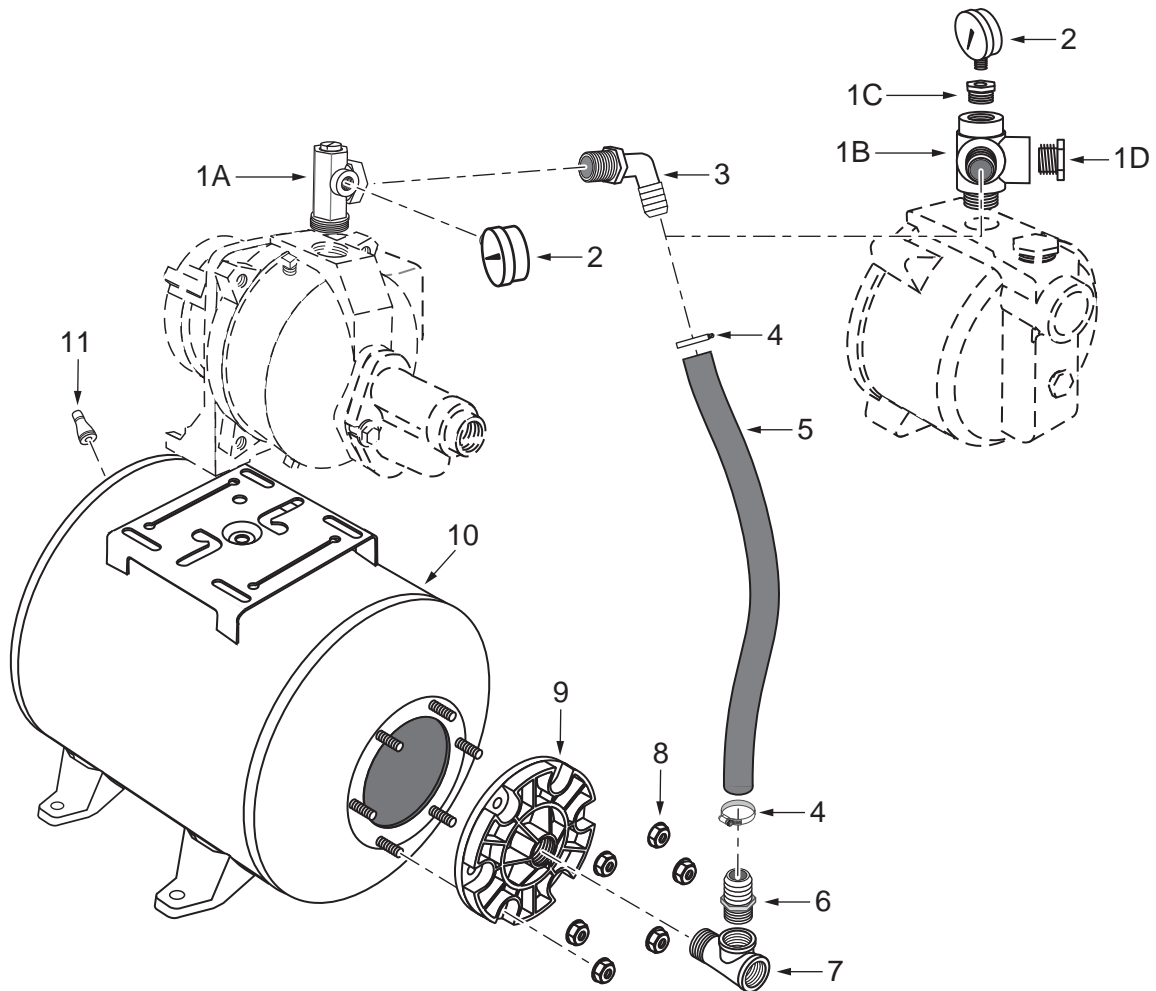


Key No.	Part Description	Qty.	Key No.	Part Description	Qty.	Key No.	Part Description	Qty.
1	Motor/Seal Plate Assembly	1	8	Diffuser	1	15A	Pressure Regulator	1
1A	Motor Flange Screw	4	9	Diffuser Plate	1	16	Ejector Gasket	1
2	Seal Plate O-Ring	1	10	Diffuser Plate O-Ring	1	17	Ejector Body	1
3	Pressure switch	1	11	Diffuser Plate Washer	3	18	Washer	2
4	Shaft Seal	1	12	Diffuser Plate Screw	3	19	Ejector Capscrew	2
5	Impeller	1	13	Venturi	1			
6	1/4" NPT x 1/4" Barb Elbow	2	14	Nozzle	1			
7	Hose	1	15	Pump Body	1			

Pump Model and Horsepower		
Part Description	Convertible (Deep Well) Pumps	Shallow Well Pumps
	320515H	220515H
	1/2 HP	1/2 HP
Seal and O-Ring Kit	RPK-35	RPK-35
Overhaul Kit	RPK-205DW	RPK-205SW
Ejector Kit	FP520-100	-
Pump Body Assembly	R176-72	R176-73
Pressure Switch (30-50)	TC2151	TC2151
Pressure Switch Tubing	FPASFK	FPASFK
Pressure Regulator	FPAPR	-
Kits Include:		
Seal and O-Ring Kit:	Key Nos 2, 4, 10, 16	
Overhaul Kit (Shallow well)	Key Nos 1A, 2, 4, 5, 8, 9, 11(3), 12(3), 13, 14	
Overhaul Kit (Convertible)	Key Nos 1A, 2, 4, 5, 8, 9, 10, 11, 12	
Ejector Kit (Convertible)	Key Nos 6(2), 7, 13(5), 14(2), 16, 17, 18(2), 19(2)	
Pump Body Assembly (Convertible)	Key Nos 2, 6, 10, 15, 16, 1/4" NPT Plug(2), 1/2" NPT Plug	
Pump Body Assembly (Shallow well)	Key Nos 2, 6, 13, 14, 15, 1/4" NPT Plug(2), 1/2" NPT Plug	
Pressure Switch	Key No 3	
Pressure Switch Tubing Kit	Key Nos. 6(3), 7	



Key No.	Part Description	Qty.	320515H	220515H
1A	Pressure Regulator	1	FPAPR	-
1B	Discharge Cross	1	-	U78-961P
1C	Reducer Bushing 1/2" NPT x 1/8" NPT	1	-	U78-107PT
1D	Pipe Plug 1" NPT	1	-	U78-1008P
•	Pipe Plug 1/8" NPT	1	-	WC78-41T
2	Pressure Gauge	1	TC2104	TC2104
3	3/4" NPT x 1" Hose Barb 90° Elbow	1	U78-770P	-
4	1" Hose Clamp	2	U19-55SS	U19-55SS
5	1" Hose	1	U74-37R	U74-37H
6	3/4" NPT x 1" Hose Barb Adapter	1	24206A004	24206A004
7	3/4" NPT x 3/4" NPT x 3/4" NPT Street Tee	1	05002A001	05002A001
8	5/16"-18 Flanged Nuts	6	U36-202BT	U36-202BT
9	Tank Flange	1	U31-442P	U31-442P
•	Tank Bladder	1	U20-7	U20-7
10	Tank Body	1	*	*
11	Air Valve with Cap	1	U212-160	U212-160

* If tank body fails, replace entire tank (Part Number RT6H).

• Not illustrated.