

Inspect kit to ensure all parts are included. Select the proper venturi and install as shown in Figure 1. Nozzle is installed at the factory and ordinarily does not require change.

Parts which may vary from Kit to Kit

Jet Kit No.	Nozzle Key No. 3	Venturi Key No. 4	Replaces Pkg No.
Pkg 1-4SD Pkg 2A-4SD	#51(J34P-41)	J32P-24	Pkg 1-4EP
Pkg 1-10SD	#54(J34P-44)	N32P-67B	Pkg 1-10N2
Pkg 1-11SD	#54(J34P-44)	N32P-68B	Pkg 1-11N2
Pkg 1-12SD	#54(J34P-44)	N32P-65	Pkg 1-12N
Pkg 1-15SD Pkg 2A-15SD	#52(J34P-42)	J32P-18	Pkg 1-15EP
Pkg 1-23SD Pkg 2A-23SD	#52(J34P-42)	J32P-24	Pkg 1-23EP
Pkg 1-27SD	#51(J34P-41)	N32P-75B	Pkg 1-27N
Pkg 1-29SD	#51(J34P-41)	N32P-66B	Pkg 1-29E2
Pkg 1-54SD Pkg 2A-54SD	#54(J34P-44)	J32P-22	Pkg 1-54EP
Pkg 1-55SD Pkg 2A-55SD	#53(J34P-43)	J32P-18	Pkg 1-55EP
PKG CK1	#53(J34P-43)	J32P-20	Pkg 1-42EP
		J32P-22	Pkg 1-14EP
		N32P-72	Pkg 1-52E
		N32P-72E	Pkg 1-28N
PKG CK2	#54(J34P-44)	J32P-29	Pkg 1-16EP
		J32P-24	Pkg 1-17EP
		N32P-64	Pkg 1-29N
PKG CK3	#51(J34P-41)	J32P-26	Pkg 1-8EP
		J32P-32	Pkg 1-6EP
		N32P-78B	Pkg 1-50E,EB
PKG CK4	#55(J34P-45)	J32P-28	Pkg 1-11EP
		J32P-32	Pkg 1-10EP
		J32P-38	Pkg 1-9EP
PKG CK5	#55(J34P-45)	*N32P-66B	Pkg 1-51E,EB
		*N32P-67B	Pkg 1-30E2

* Poly pipe adapter will not fit over venturi. Use galvanized pipe.

Parts common to all Jet Kits

Key No.	Part Description	Qty.	Part No.
1	Pipe Nipple (Pkg CK Series Only)	1	U37-67P
2	Jet Body	1	N40-92N
5	3/8-16x7/8" Hex Washer Hd. Cap Screws*	2	U30-961PS
6	Gasket*	1	N20-25

* Not included with Kit Nos. PKG1-4SD, -15SD, -23SD, -54SD, -55SD or PKG 2A-4SD, -15SD, -23SD, -54SD, -55SD

Accessory Package 2A Parts
(Also included with all PKG 2A- Series Jet Kits)

Key No.	Part Description	Qty.	Part No.
7	Poly Pipe Adapter	1	U11-104P
8	Foot Valve	1	U212-94DB

Repair Parts
Pkg 2A-SD Series includes Key Nos. 2 - 8.

Pkg 1-SD Series includes Key Nos. 2 - 6.

Pkg CK Series includes Key Nos. 1 - 6.

Accessory Pkg 2A includes Key Nos. 7 - 8.

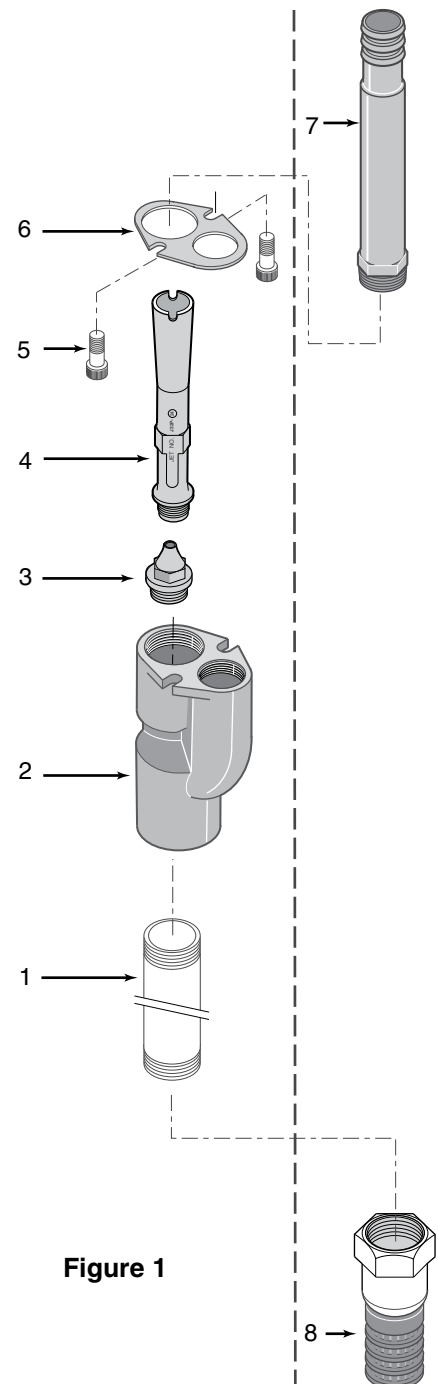


Figure 1

Shallow Well Installation

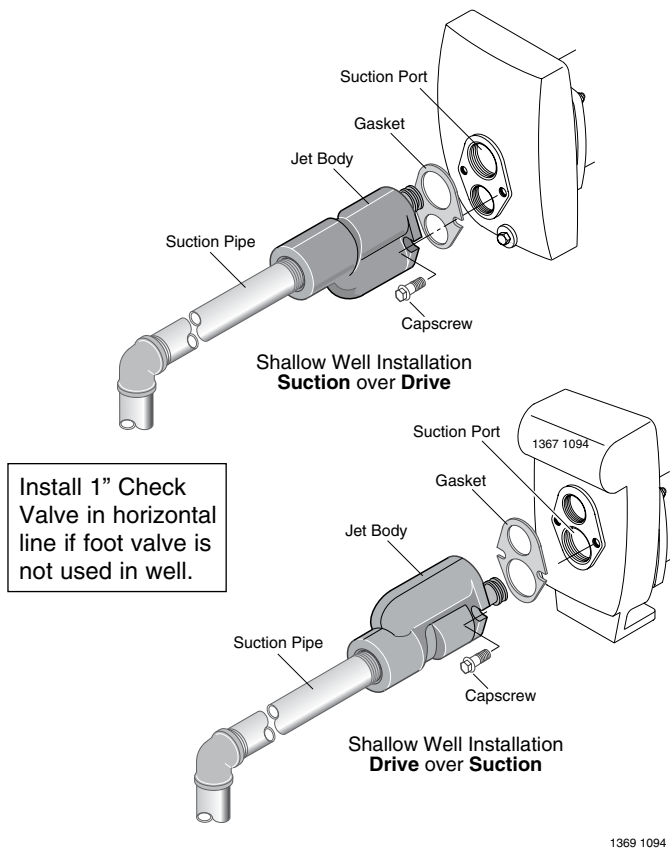


Figure 2 – Shallow Well

When your pump is installed as a Shallow Well pump (25 feet or less to the drawdown water level*), attach the jet to the pump as shown in Figure 2. Insert the venturi end of the jet in to the larger (suction) port in the pump. Use the gasket and washer head capscrews included with the jet. Tighten the screws evenly and firmly.

* The “drawdown water level” is the distance from the pump to water *while the pump is running*.

Deep Well Installation

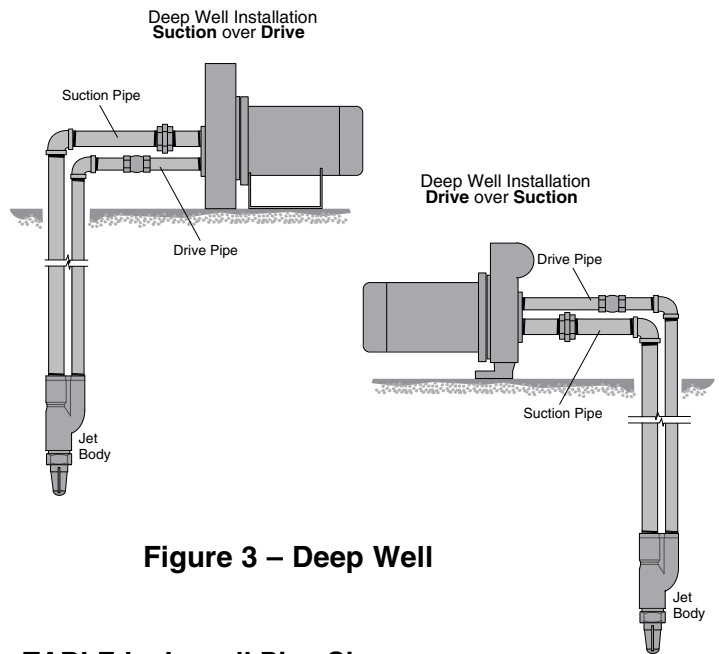


Figure 3 – Deep Well

TABLE I – In-well Pipe Sizes

HP	Installation	Suction	Drive
3/4	Multi-Stage Jet Pump	1-1/4"	1"
1	Multi-Stage Jet Pump	1-1/4"	1-1/4"
1-1/2	Multi-Stage Jet Pump	1-1/4"	1-1/4"
All	Horizontal Jet Pump	1-1/4"	1"

For long horizontal runs of piping, consult your owner’s manual for recommended piping size increase.

When your pump is installed as a Deep Well pump (more than 25 feet to the drawdown water level), install the jet in the well as shown in Figure 3. The gasket and capscrews included with the jet package are not needed for a deep well installation.

Refer to Figure 4 for typical Deep Well installations and fittings required. Refer to your pump owner’s manual or insert sheet WC80-188 for specific performance and depth setting information.

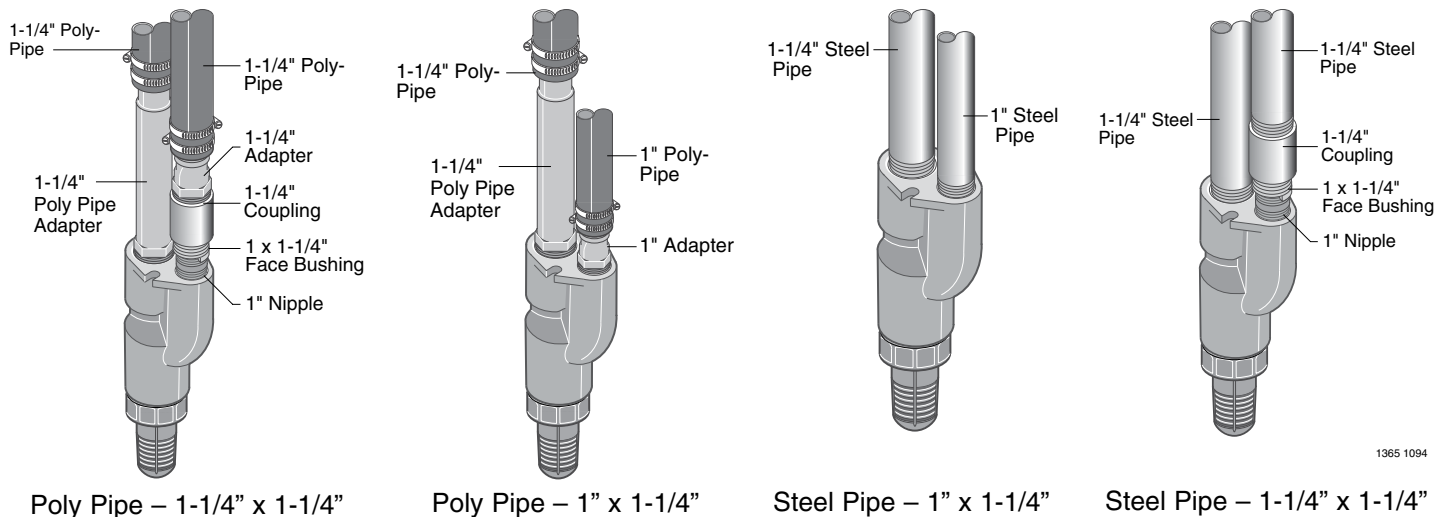


Figure 4 – Typical Deep Well Installations