



PENTAIR

STA-RITE

DOMINATOR SERIES

**NOW
OFFERING
3/4 and 1 HP
MODELS**

A LEGACY OF STRENGTH A PATH FOR THE FUTURE

The Sta-Rite® Dominator from Pentair is built on a ½ HP legacy of delivering water when and where you need it for aerobic & filtered effluent service applications. Now, we're building on that tradition, forging a path for the future and expanding your performance capabilities by bringing you ¾ and 1 HP of power.



Applications

- Aeration
- Effluent
- Cistern
- Irrigation

WWW.STA-RITE.COM

STA-RITE® DOMINATOR SERIES



SUPERIOR "PUMPDOWN" CAPABILITY:

The Dominator leads this class with the lowest draw-down of 4.5" (a standard 4" NEMA submersible only draws down to 13.5).

IMPELLERS:

Precision molded for perfect balance...ultra smooth for the highest performance and efficiency. Allows for .080" solids.

REDUCED AMP DRAW:

Over 25% less amp draw (9.5 amps vs. 12.7 amps, 115 volt) than a 4" NEMA submersible, reducing operating costs and extending the service life of float switch contacts.

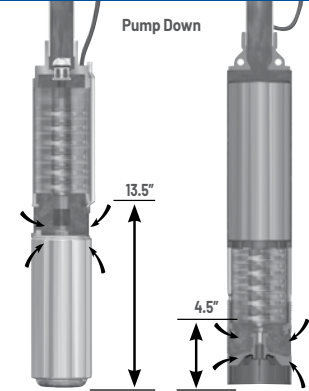
SHELL:

Corrosion resistant 300-grade stainless steel.

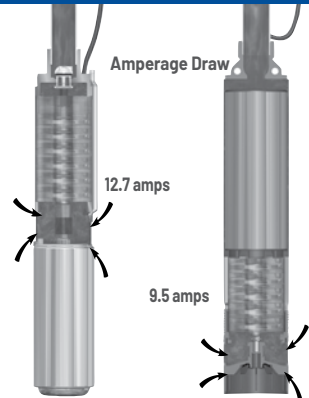
SignaSeal™ Internals

Utilizes a patented ceramic wear staging system surface for class-leading performance, superior sand handling, and a thrust management staging system with industry exclusive "dry-run" capabilities.

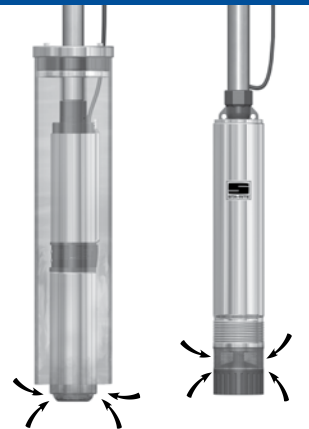
INCREASED DRAWDOWN



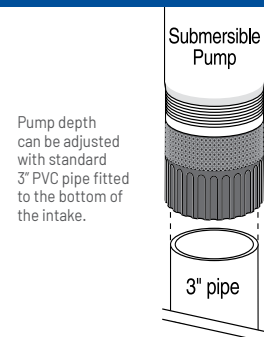
REDUCED AMP DRAW



ELIMINATES FLOW-INDUCER



ADJUSTABLE DEPTH SETTING



293 Wright Street | Delavan, WI 53115 | Ph: 888.782.7483 | Orders Fax: 800.426.9466 | www.Sta-Rite.com

All Pentair trademarks and logos are owned by Pentair. All other brands or product names are trademarks or registered marks of their respective owners. Because we are continuously improving our products and services, Pentair reserves the right to change specifications without prior notice. Pentair is an equal opportunity employer. S1221WS (08/29/18) ©2018 Pentair plc. All Rights Reserved.