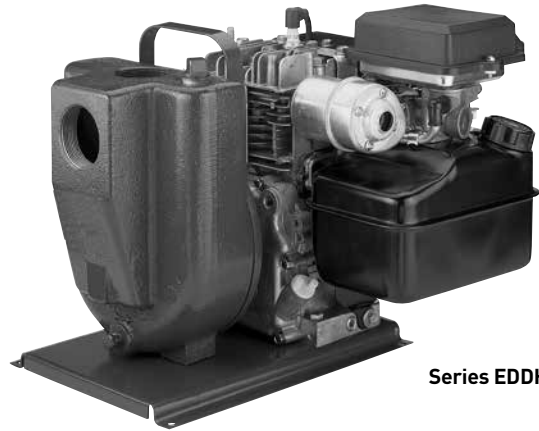
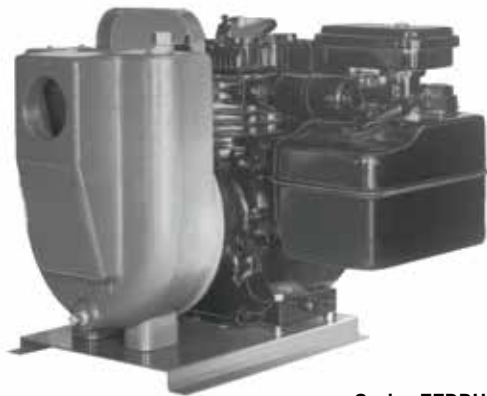


# STA-RITE® EDD/EEDD Series

Engine-driven self-priming pumps



Series EDDH



Series EEDDH

These engine-driven centrifugal pumps can be used where electrical power is not available. Powerful 4-cycle gasoline engines get the job done faster and more efficiently.

Close-coupled EDDH has pump and engine close-coupled on all-steel base...16" long, 14" wide and 13-1/8" high. EDDH features 5/8" diameter, ductile iron threaded shaft extension.

Frame-mounted EEDDH features pump and engine frame-mounted on all-steel base...18-11/16" long, 14" wide and 13-1/8" high. Stub shaft allows easy replacement with other gasoline-powered engines. EEDDH has 3/4" diameter keyed ductile iron shaft extension.

Order Catalog No. EEDD for pump end only, supplied without engine, to be used with 5/8" or 3/4" shaft in gasoline-engine-driven applications. Pump is identical in design to stub-shaft EEDDH.

## SPECIFICATIONS

**Body:** Close-grained cast iron

**Impeller:** Cast iron

**Diffuser:** Cast iron

**Diffuser Ring:** Buna-N

**Stub Shaft (EEDD only):**  
416 stainless steel

## ORDERING INFORMATION

Catalog Number	HP	Description	Fuel Tank Size	Pipe Tapping Sizes		Approx. Wt. Lbs.
				Suction	Discharge	
EDDH	3	Gasoline-powered pump	3 Quarts	2"	2"	65
EEDDH	3	Gasoline-powered pump	3 Quarts	2"	2"	70
EEDD	-	Gasoline-powered pump	-	2"	2"	38

Design Series EDDH – Engine-driven without stub shaft

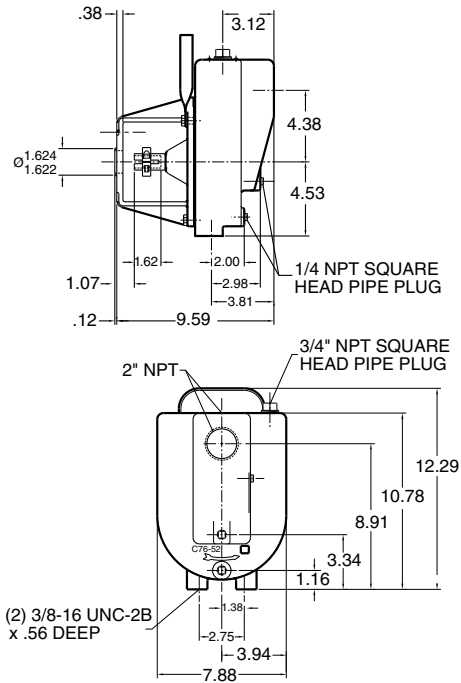
Design Series EEDDH – Engine-driven with stub shaft

Design Series EEDD – Stub shaft pump only

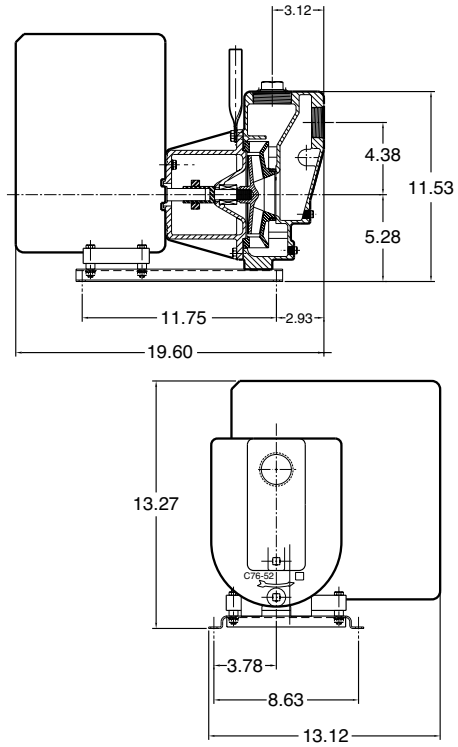
# STA-RITE® EDD/EEDD Series

Engine-driven self-priming pumps

## OUTLINE DIMENSIONS: EEDD

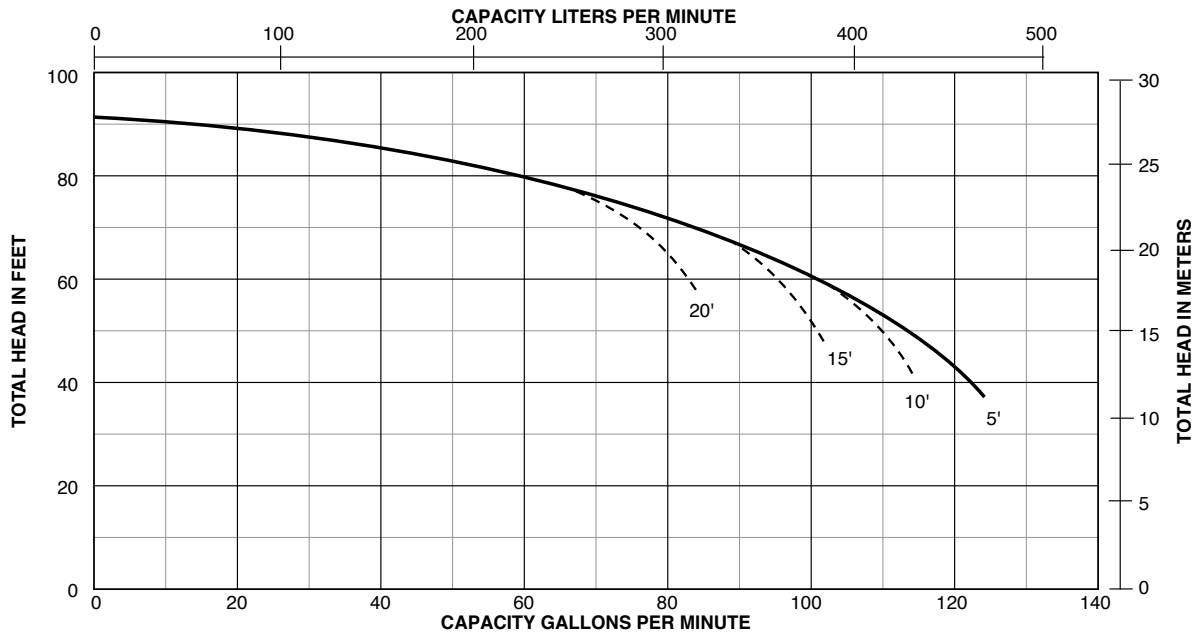


## OUTLINE DIMENSIONS: EEDDH



Dimensions (in inches) are for estimating purposes only.

## PUMP PERFORMANCE



NOTE: Dotted lines indicate performance reduction at high suction lift.



US: 293 WRIGHT STREET, DELAVAN, WI 53115 WWW.STA-RITE.COM PH: 888-782-7483 ORDERS FAX: 800-426-9446

CANADA: 490 PINEBUSH ROAD, UNIT 4, CAMBRIDGE, ONTARIO N1T 0A5 PH: 800-363-7867 ORDERS FAX: 888-606-5484

Because we are continuously improving our products and services, Pentair reserves the right to change specifications without prior notice.