



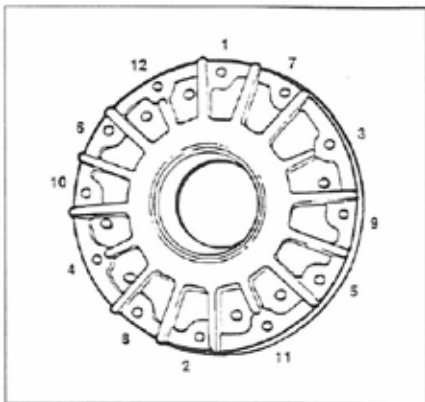
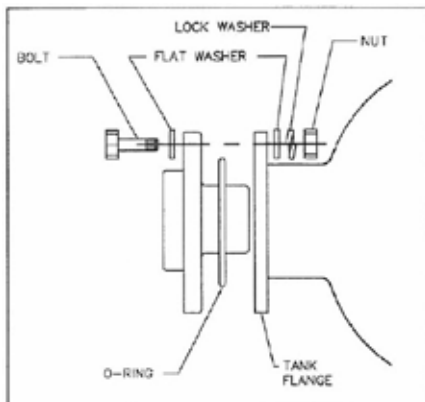
STRUCTURAL CH12157

DISTRIBUTOR ASSEMBLY INSTRUCTIONS
USED ON DST 5687

BOTTOM MOUNT STACK DIFFUSER SYSTEM FOR 63" COMPOSITE TANK WITH 6" SNA FLANGE

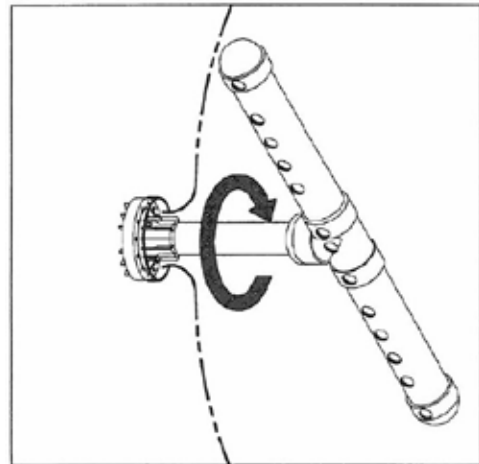
STEP 1

With the tank in the horizontal position on the shipping skid, install the bottom flange adapter and tighten in the accepted cross pattern.



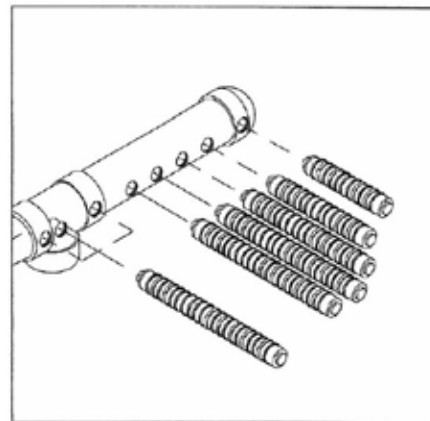
STEP 2

Locate the lower manifold and put it in the tank through the 16" Manway. **CAUTION: From this point on, you will be working inside the tank. Proper ventilation and breathing equipment (approved for CPVC and adhesive) must be used for your protection.** Thread the 3" pipe of the manifold into the flange adapter.



STEP 3

Install all the laterals into the manifold.
DO NOT OVERTIGHTEN!



CALIFORNIA PROPOSITION 65 WARNING

⚠ WARNING: This product contains chemicals known to the State of California to cause cancer or birth defects or other reproductive harm.

For Structural Product Warranties visit: }
Structural para las garantías de los productos visite: } waterpurification.pentair.com
Pour Structural garanties produit visitez le site : }



WATER QUALITY SYSTEMS

5730 NORTH GLEN PARK ROAD, MILWAUKEE, WI 53209

P: 262.238.4400 | WATERPURIFICATION.PENTAIR.COM | CUSTOMER CARE: 800.279.9404 | tech-support@pentair.com

All Pentair trademarks and logos are owned by Pentair, Inc. or its affiliates. All other registered and unregistered trademarks and logos are the property of their respective owners. Because we are continuously improving our products and services, Pentair reserves the right to change specifications without prior notice. Pentair is an equal opportunity employer.

CH12157 REV B FE16 © 2016 Pentair Residential Filtration, LLC All Rights Reserved.