

STRUCTURAL LOW PROFILE COMPOSITE PRESSURE TANK

SPACE-SAVING DESIGN DELIVERS SAME TANK CAPACITY

**MADE IN THE
USA**



Tested and Certified by the
Water Quality Association



against NSF Std. 61 for Material Safety Section 8
and NSF Std. 372 for Low Lead Compliance.

Tested under domestic cold: $23 \pm 2^{\circ}\text{C}$ ($73 \pm 4^{\circ}\text{F}$).

The Pentair® Structural® Low Profile Composite Pressure Tank is the smart choice when space is a challenge and performance is a priority. This composite tank design offers a lower profile with a 2" reduction to the flange, allowing it to fit in tighter spaces without compromising media capacity. Its lightweight, fiberglass construction provides durability in harsh chemical environments.

Available in 24x72, 36x72, 42x72 and 48x72 tank sizes.

BENEFITS

- ◆ More room to maneuver!
- ◆ 2" shorter tank height fits tight spaces
- ◆ Same storage capacity vs. standard tanks
- ◆ Leak-free performance for any commercial application

FEATURES

- ◆ Reduced tank height and improved flange-to-floor clearance makes pipe connections easier to reach
- ◆ No-thread seal design simplifies installation, provides better sealing surface and reduces risk of leaking
- ◆ 12 bolt flange pattern allows for easy plumbing alignment
- ◆ Quick access to internals through large, 6" flange opening

MATERIAL OF CONSTRUCTION

- ◆ Polyethylene inner shell

PENTAIR DESIGN PARAMETERS

- ◆ Safety factor - 4:1
- ◆ Minimum burst at 600 psi
- ◆ Tested to 250,000 cycles without leakage

OPERATING PARAMETERS

- ◆ Maximum operating pressure - 150 psi
- ◆ Maximum operating temperature - 150°F

COLOR OPTION

- ◆ NA - Natural

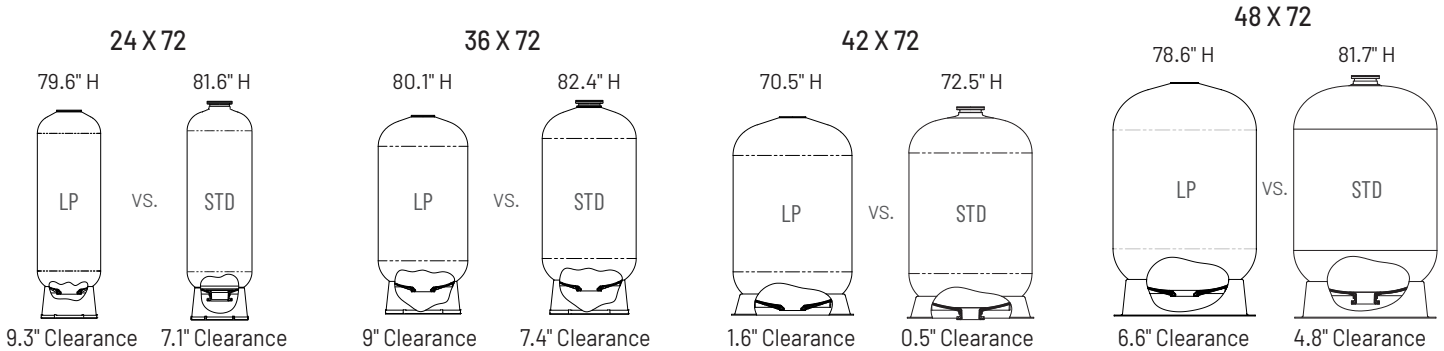
INSTALLATION TIPS

- ◆ Bolt base to floor
- ◆ Calculate height for valve and base combined
- ◆ Use vacuum breakers
- ◆ Use flexible connectors

LOW PROFILE TANK PART NUMBERS

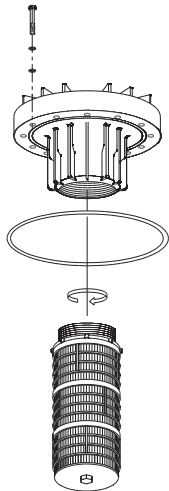
PART #	DESCRIPTION	TANK HEIGHT	BOTTOM FLANGE CLEARANCE
34816	2472, COMP 6" TLPF 6" BLPF SMC BASE, SK-5464	79.6"	9.3"
34805	2472, COMP 6" TLPF 6" BLPF NAT TRIPOD, SK-5462	86.4"	16.1"
34817	3672, COMP 6" TLPF 6" BLPF SMC BASE, SK-5456	80.1"	9.0"
34806	3672, COMP 6" TLPF 6" BLPF NAT TRIPOD, SK-5374	87.5"	16.4"
34819	4272, COMP 6" TLPF 6" BLPF NAT SMC BASE, SK-5476	70.5"	1.6"
34818	4872, COMP 6" TLPF 6" BLPF SMC BASE, SK-5465	78.6"	6.6"
34807	4872, COMP 6" TLPF 6" BLPF NAT TRIPOD, SK-5463	89.9"	17.9"

HEIGHT AND FLANGE CLEARANCE COMPARISON - LOW PROFILE VS STANDARD FLANGE

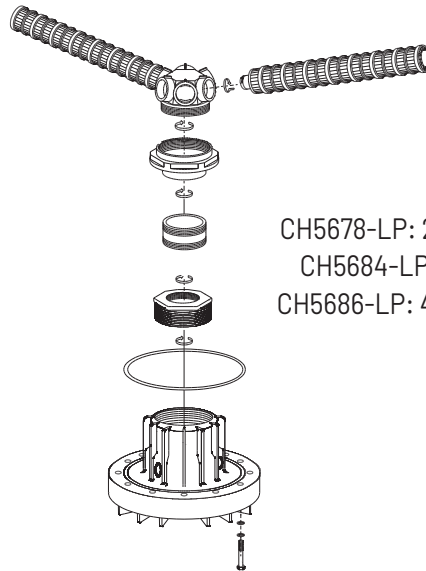


DISTRIBUTION KITS

PART #	DESCRIPTION
CH5679-LP	TOP MOUNT DIFFUSER LOW PROFILE FLANGE 24" - 48" TANKS
CH5678-LP	BOTTOM MOUNT HUB & LATERAL LOW PROFILE FLANGE 21" -24" TANKS
CH5684-LP	BOTTOM MOUNT HUB & LATERAL LOW PROFILE FLANGE 36" TANKS
CH5686-LP	BOTTOM MOUNT HUB & LATERAL LOW PROFILE FLANGE 42" - 48" TANKS



CH5679-LP: 24"-48" Tanks



CH5678-LP: 21"-24" TANKS
 CH5684-LP: 36" TANKS
 CH5686-LP: 42"-48" TANKS

All kits include flange adapter, o-ring and bolt kits



13845 Bishops Dr. | Suite 200 | Brookfield, WI 53005 | United States
 P: 262.238.4400 | Customer Care: 800.279.9404 | tech-support@pentair.com

§For a detailed list of where Pentair trademarks are registered, please visit www.pentair.com/en/registrations.html. Pentair trademarks and logos are owned by Pentair plc or its affiliates. Third party registered and unregistered trademarks and logos are the property of their respective owners.

© 2019 Pentair Residential Filtration, LLC. All rights reserved.
 4005390 Rev C FE19