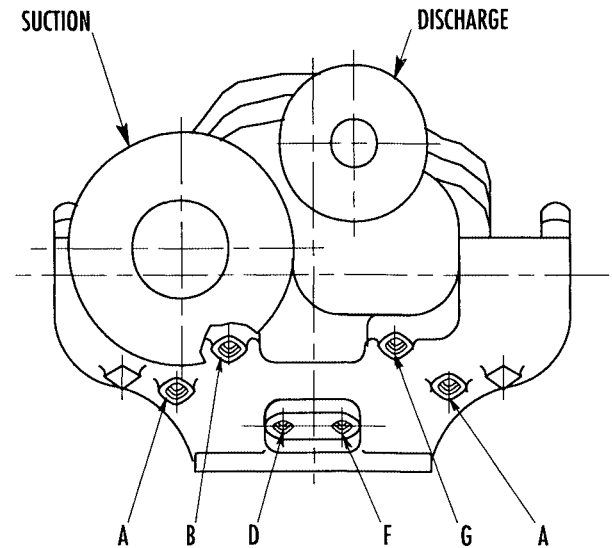
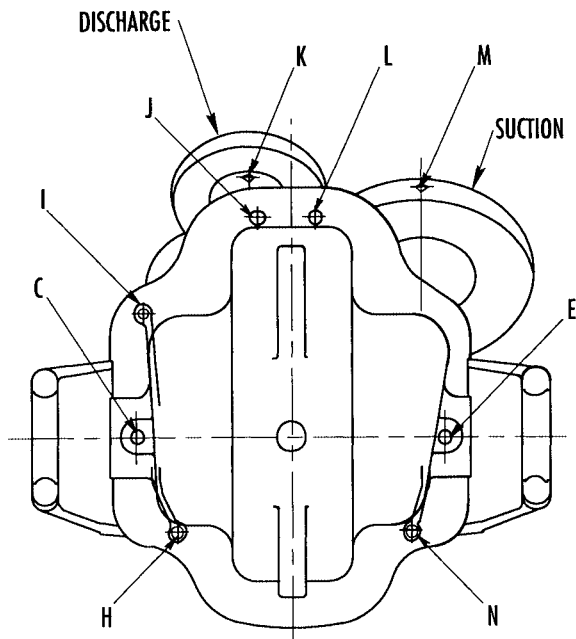


430 SERIES
ENGINEERING DATA
PIPE TAP CONNECTIONS
AND FUNCTION
POWER SERIES 2



LETTER	PIPE TAP SIZE	DESCRIPTION
A	1/2	PACKING BOX DRAIN
B	1/2	FIRST STAGE SUCTION CHAMBER DRAIN
C	1/4	SECOND STAGE SEAL FLUSH
D	1/2	FIRST STAGE VOLUTE DRAIN
E	1/4	FIRST STAGE SEAL FLUSH
F	1/2	SECOND STAGE VOLUTE DRAIN
G	1/2	SECOND STAGE SUCTION CHAMBER DRAIN
H	1/4	INLET TO SECOND STAGE PACKING BOX
I	1/4	OUTLET FROM SECOND STAGE PACKING BOX
J	1/4	SECOND STAGE VOLUTE VENT (SEE NOTE 1)
K	1/4	DISCHARGE GAUGE CONNECTION
L	1/4	FIRST STAGE VOLUTE VENT (SEE NOTE 1)
M	1/4	SUCTION GAUGE CONNECTION
N	1/4	INLET TO FIRST STAGE PACKING BOX

NOTES:

1. CAUTION - LOOSEN VENT PLUGS "J" AND "L" AND ROTATE SHAFT SLOWLY TO VENT AIR.

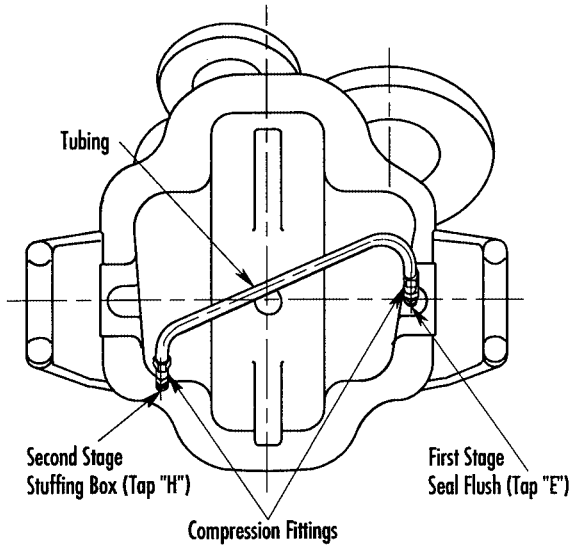
AURORA MODEL 430 PUMPS

ENGINEERING DATA

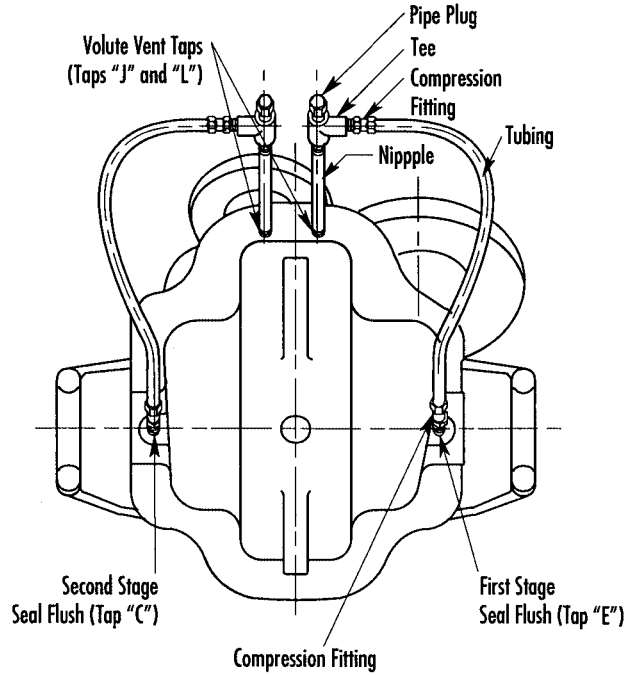
EXTERNAL FLUSH LINE

SCHEMATICS / POWER SERIES 2

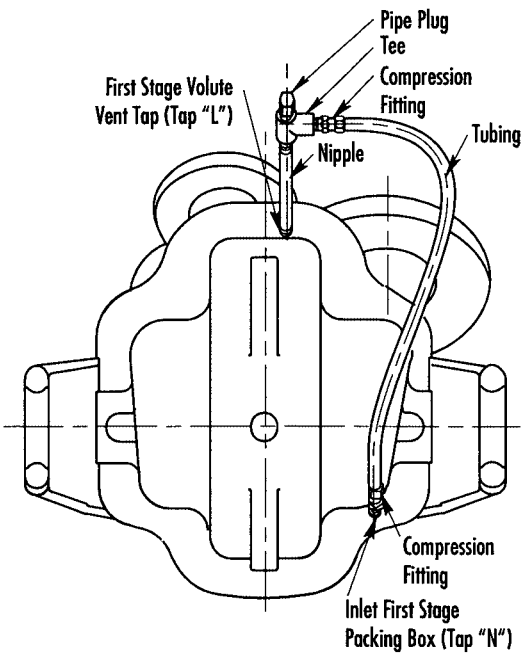
**MECHANICAL SEALS EXTERNAL FLUSH
STANDARD WITH INSIDE SEALS / OPTION 1**



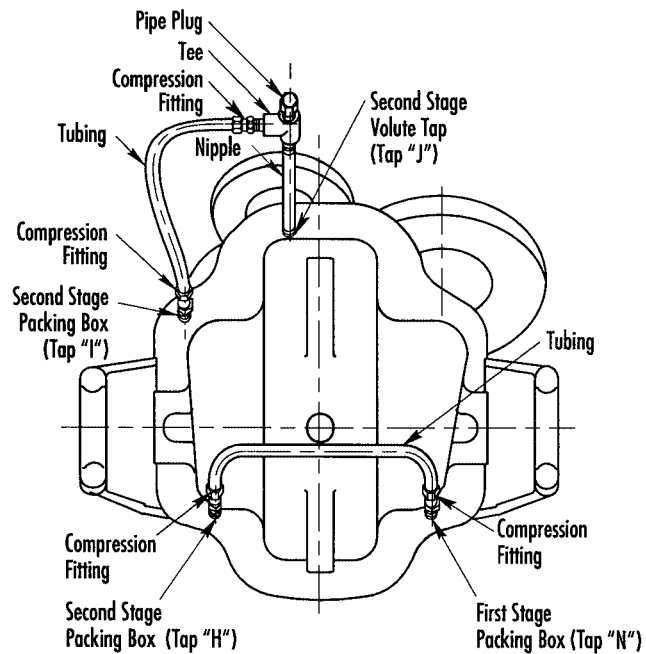
MECHANICAL SEALS EXTERNAL FLUSH / OPTION 16



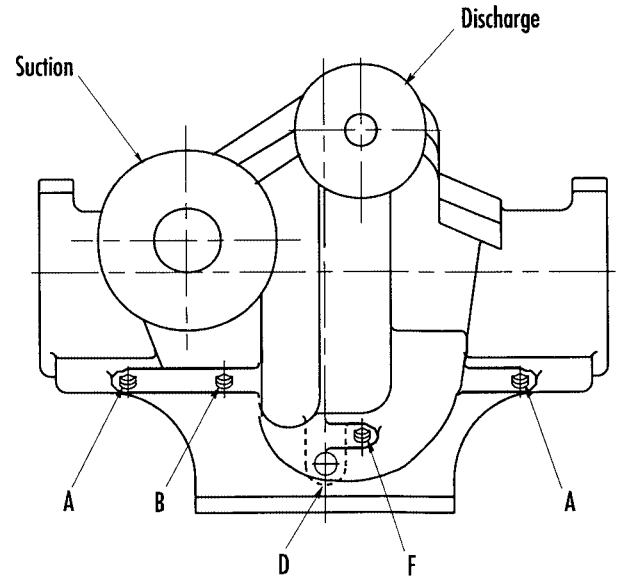
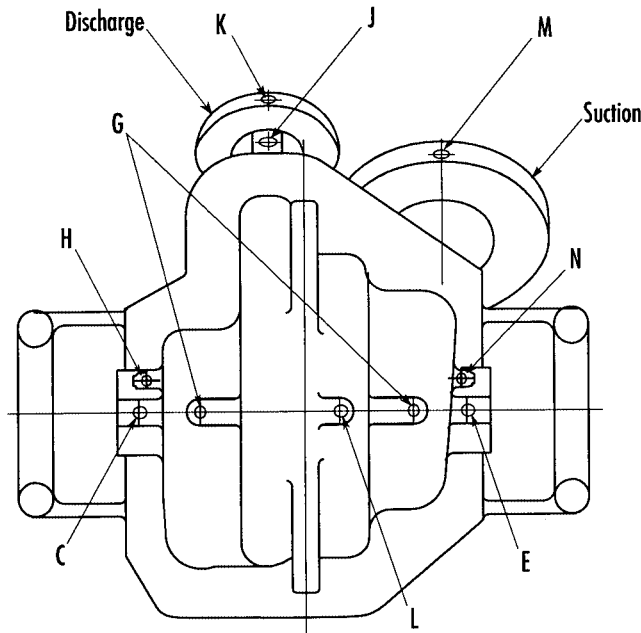
**PACKING WITH LANTERN RING - 1ST STAGE
EXTERNAL WATER SEAL / OPTION 37B**



**PACKING WITH LANTERN RINGS - BOTH STAGES
EXTERNAL WATER SEAL / OPTION 37J**



ENGINEERING DATA
PIPE TAP CONNECTIONS
AND FUNCTION
POWER SERIES 3A



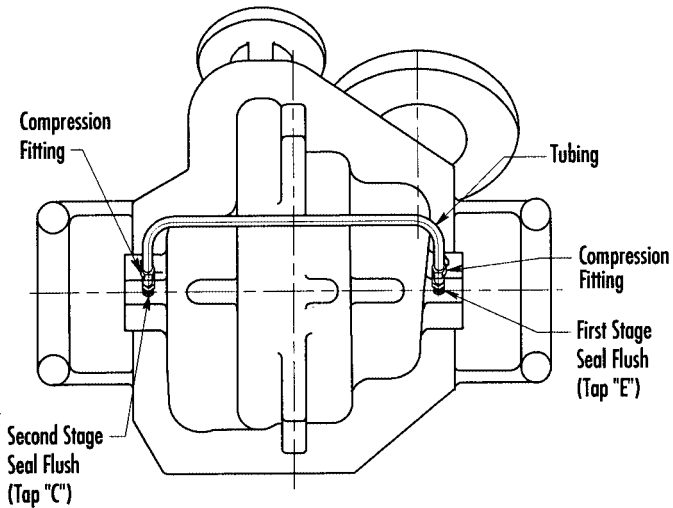
LETTER	PIPE TAP SIZE	DESCRIPTION
A	1/2	PACKING BOX DRAIN
B	1/2	FIRST STAGE SUCTION CHAMBER DRAIN
C	1/4	SECOND STAGE SEAL FLUSH
D	1	FIRST STAGE VOLUTE DRAIN & SECOND STAGE SUCTION DRAIN (1-1/2x3x11)
	1-1/4	FIRST STAGE VOLUTE DRAIN & SECOND STAGE SUCTION DRAIN (2x4x11)
E	1/4	FIRST STAGE SEAL FLUSH
F	1/2	SECOND STAGE VOLUTE DRAIN
G	1/4	SUCTION VENT
H	1/4	INLET TO SECOND STAGE PACKING BOX
J	1/4	SECOND STAGE VOLUTE VENT (SEE NOTE 1)
K	1/4	DISCHARGE GAUGE CONNECTION
L	1/4	FIRST STAGE VOLUTE VENT (SEE NOTE 1)
M	1/4	SUCTION GAUGE CONNECTION
N	1/4	INLET TO FIRST STAGE PACKING BOX

NOTES:
1. CAUTION - LOOSEN VENT PLUGS "J" AND "L" AND ROTATE SHAFT SLOWLY TO VENT AIR.

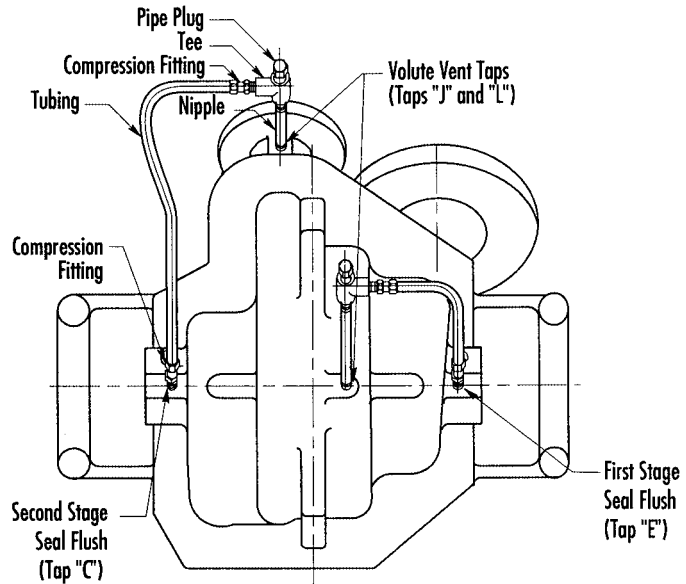
AURORA MODEL 430 PUMPS

ENGINEERING DATA
 EXTERNAL FLUSH LINE
 SCHEMATICS / POWER SERIES 3A

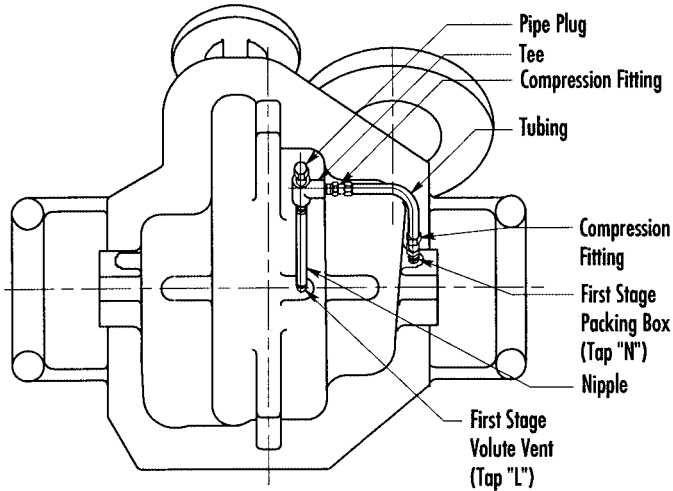
**MECHANICAL SEALS EXTERNAL FLUSH
 STANDARD WITH INSIDE SEALS / OPTION 1**



**MECHANICAL SEALS EXTERNAL FLUSH
 OPTION 16**



**PACKING WITH LANTERN RING – 1ST STAGE
 EXTERNAL WATER SEAL / OPTION 37B**



**PACKING WITH LANTERN RING – BOTH STAGES
 EXTERNAL WATER SEAL / OPTION 37J**

