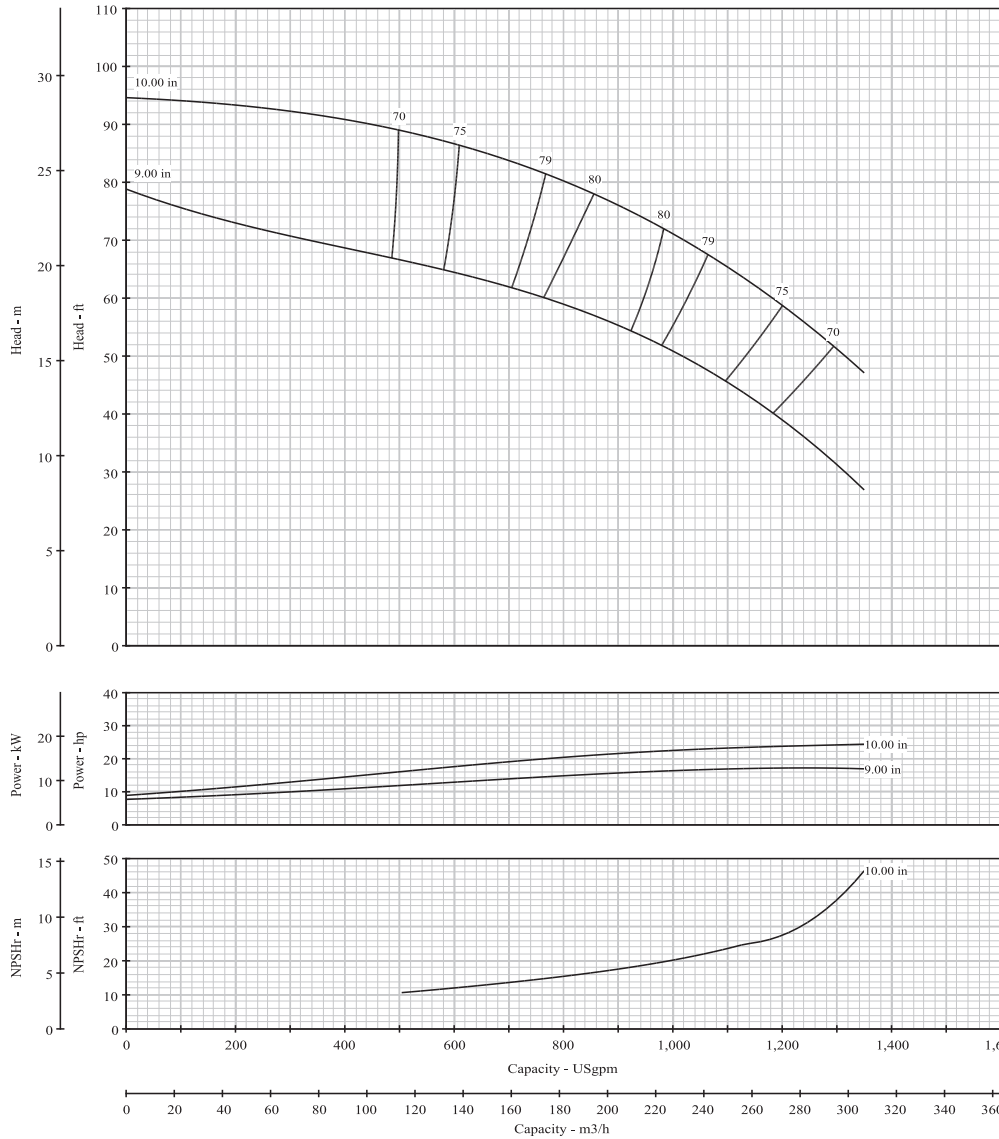
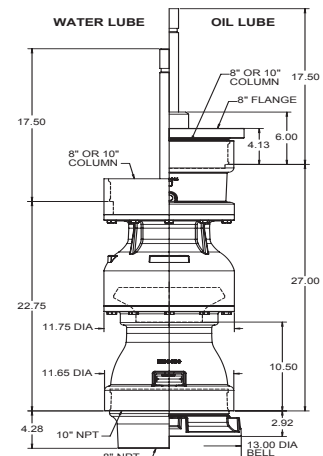


| NO. STAGES | EFF. | 12VT900 CLOSED IMPELLER 1770 RPM |
|------------|------|---|
| 1 | -2 | |
| 2 | -1 | |
| 3 | 0 | |
| 4 | 0 | SINGLE STAGE LAB PERFORMANCE WITH STANDARD MATERIALS. EFFICIENCY SHOWN FOR 4 OR MORE STAGES. HORSE POWER SHOWN FOR ONE STAGE BASED ON 4 STAGE EFFICIENCY. CORRECTIONS SHOULD BE MADE FOR STAGES AND MATERIAL. |



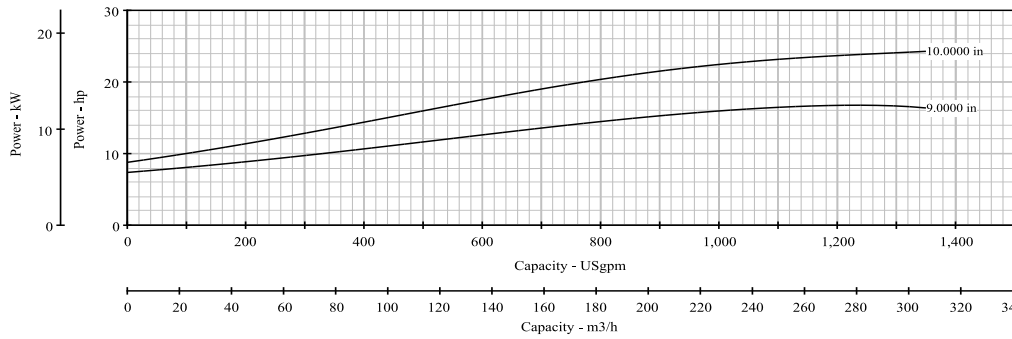
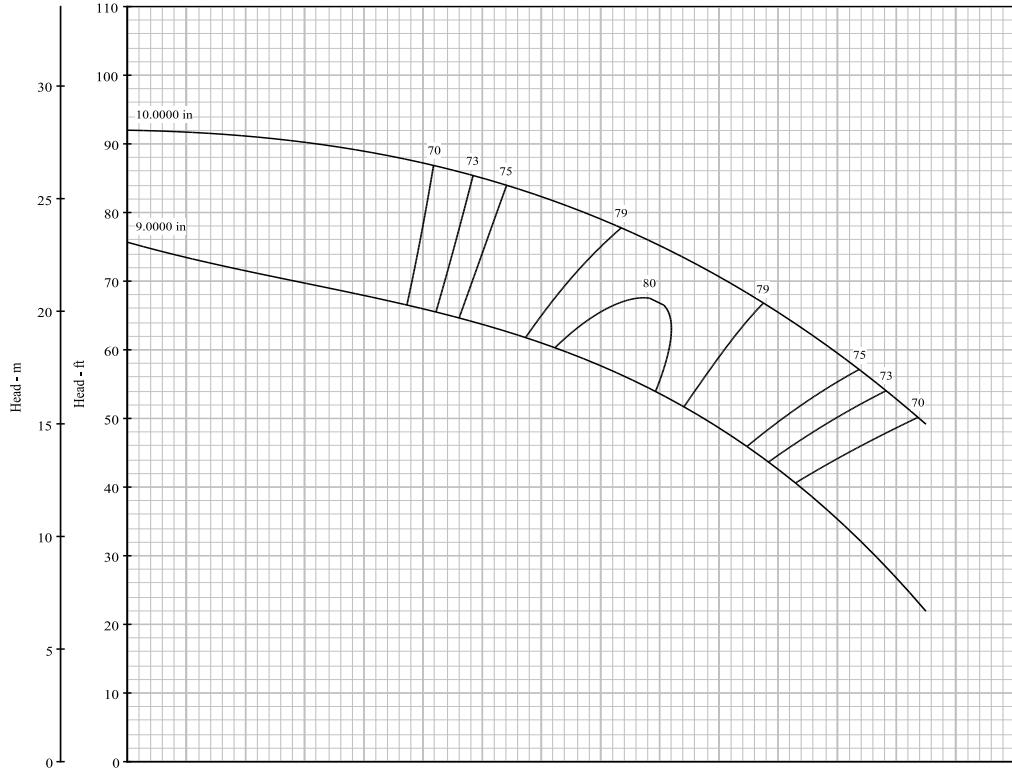
| | | | |
|-------------------------------------|---------|--------------------------------------|---------|
| Maximum Operation Speed - RPM | 1800 | Maximum Sphere Size - inch | 0.63 |
| Pump Shaft Diameter - inch | 1.687 | Thrust Factor - Kt | 7.44 |
| Bowl Weight, 1st Stg W/L - lbs | 183 | WR2 | 0.83 |
| Bowl Weight, 1st Stg O/L - lbs | 230 | Running Position (Above Seat) - inch | 0.200 |
| Bowl Weight, Ea. Add Stage - lbs | 81 | Submergence - inch | 31 |
| Allowable Shaft Stretch - inch | 1.47 | Max Bowl Brg Clearance - in. dia | 0.014 |
| Std Max Working Pressure - PSI | 400 | Max Wear Ring Clearance - in. dia | 0.015 |
| Optional Max Working Pressure - PSI | 700 | Max Bowl O.D. - inch | 11.75 |
| Impeller Eye Area - Sq. In | 20.9 | Suction Bell O.D. - inch | 13 |
| Rotor Weight 1st/add stages - lbs | 24 | Standard Max Number Stages | 10 |
| Additional Length Per Stage - inch | 9.25 | Optional Max Number Stages | 17 |
| Discharge Thread Column - inch | 8 or 10 | Suction Threads NPT - inch | 8 or 10 |



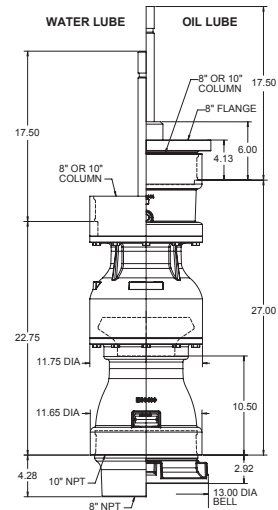
| NO. STAGES | EFF. |
|------------|------|
| 1 | -2 |
| 2 | -1 |
| 3 | 0 |
| 4 | 0 |

12VT900K SEMI-OPEN IMPELLER 1770 RPM

SINGLE STAGE LAB PERFORMANCE WITH STANDARD MATERIALS. EFFICIENCY SHOWN FOR 4 OR MORE STAGES. HORSE POWER SHOWN FOR ONE STAGE BASED ON 4 STAGE EFFICIENCY. CORRECTIONS SHOULD BE MADE FOR STAGES AND MATERIAL.



| | | | |
|-------------------------------------|---------|--------------------------------------|---------|
| Maximum Operation Speed - RPM | 1800 | Maximum Sphere Size - inch | 0.63 |
| Pump Shaft Diameter - inch | 1.687 | Thrust Factor - Kt | 11.58 |
| Bowl Weight, 1st Stg W/L - lbs | 183 | WR ² | 0.37 |
| Bowl Weight, 1st Stg O/L - lbs | 230 | Running Position (Above Seat) - inch | 0.015 |
| Bowl Weight, Ea. Add Stage - lbs | 81 | Submergence - inch | 33 |
| Allowable Shaft Stretch - inch | 1.47 | Max Bowl Brg Clearance - in. dia | 0.014 |
| Std Max Working Pressure - PSI | 400 | Max Wear Ring Clearance - in. dia | N/A |
| Optional Max Working Pressure - PSI | 0 | Max Bowl O.D. - inch | 11.75 |
| Impeller Eye Area - Sq. In | 20.9 | Suction Bell O.D. - inch | 13 |
| Rotor Weight 1st/add stages - lbs | 18.7 | Standard Max Number Stages | 10 |
| Additional Length Per Stage - inch | 9.25 | Optional Max Number Stages | 0 |
| Discharge Thread Column - inch | 8 or 10 | Suction Threads NPT - inch | 8 or 10 |



293 Wright Street | Delavan, WI 53115 | pentair.com/berkeley

All indicated Pentair trademarks and logos are property of Pentair. Third party registered and unregistered trademarks and logos are the property of their respective owners. Because we are continuously improving our products and services, Pentair reserves the right to change specifications without prior notice. Pentair is an equal opportunity employer.