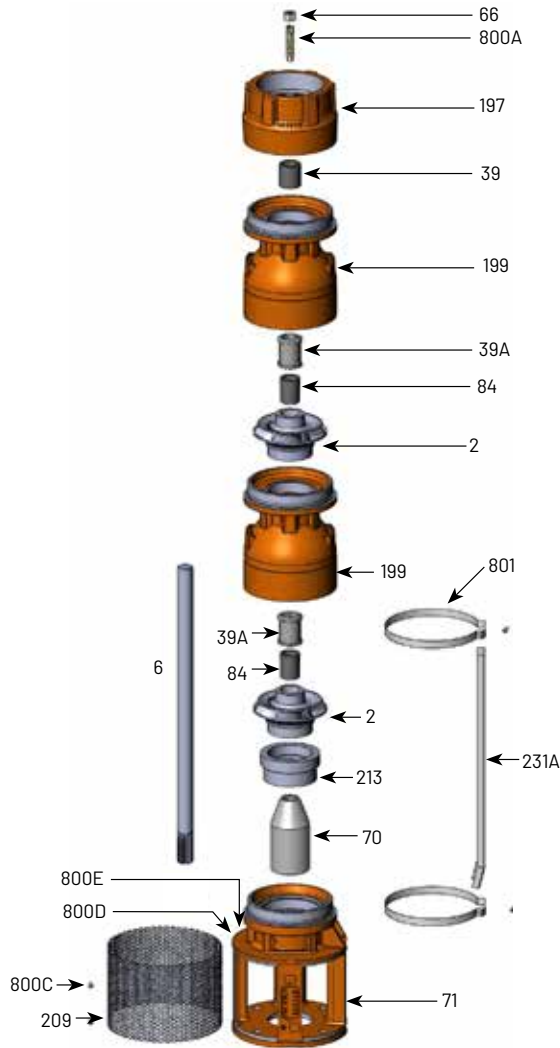


6TMH SERIES

300 GPM, 60HZ, NPT, 8" MOTORS

Section	ST-6TMH
Page	1.0
Date	June 1, 2018
Supersedes	March 1, 2016



Item Number	Part Number	Description	Required Qty
2	See Table 3	Impeller	1 per stage
6	See Table 4	Shaft	1
39	M15886	Vesconite Bearing	1
39A	S13636	Neoprene Bearing	1 per stage
66	M15881	Upthrust Nut, 1/2-13 LH	1
70	B87061	8" Motor Coupling	1
71	M16428	6TMH 8" Motor Suction Bracket	1
84	S05301	1" Collet	1 per stage
199	B86169	6TMH-300 Bowl (includes Neoprene Bearing)	1 per stage
197	M15868	6TMH Discharge, 4" NPT	1
209	M16429	Suction Screen	1
213	M15877	Intake Adapter Insert	1
231A	M10252	Cable Guard, 8' material	1
800A	M15882	Upthrust Screw, 1/2-13 LH	1
800C	M15937	Screen Screw, 8-32 x 3/8 Panhead	2
800D	M10199	Rivet, 3/32	2
800E	M09653	Nameplate	1
801	M15879	6TMH Cable Guard Clamp	2
not shown	M09970	Tag, Upthrust Adjustment	1
not shown	B87159	Bolt Kit, 8" Motor	1
not shown	BE972	Owner's Manual	1

Note 1: B86185 includes items 39, 66, 197, 800A
 Note 2: B86657 includes 71, 213

Item Number	Part Number	Description	Required Qty
39A	S13636	Neoprene Bearing	1 per stage
	S10708	Bronze Bearing	
199	B86169	6TMH-300 Bowl (includes Neoprene Bearing)	1 per stage
84	S05301	1" Collet	1 per stage
2	See Table 3	Impeller	1 per stage

Note 3: Bronze bearing may be used in place of the standard Neoprene Bearing.

Item Number	Part Number	Description	Required Qty
2	M15860	6TMH-300 "A" Impeller 5.250"	See Table 4
2	M15861	6TMH-300 "B" Impeller 5.000"	
2	M15862	6TMH-300 "C" Impeller 4.750"	

TABLE 4 - 60 Hz Staging Requirements Build Table

Series	HP/kW	Stages	Trim			416 SS shaft		Ion-nitride shaft		Shaft Length (in/mm)	Cable Guard Length ⁵	Assembled pump length (motor not included)
			"A"	"B"	"C"	Pump catalog number	416 SS Shaft p/n	Pump catalog number	Ion Nitride Shaft p/n			
6TMH40-300	40/29.8	8	4	2	2	B86773	M15923	B86773N	M15954	57.25 in/1454 mm	40.5 in/1029 mm	63.8 in/1621 mm
6TMH50-300	50/37.3	9	8	1		B86774	M15924	B86774N	M15955	63.75 in/1619 mm	48 in/1220 mm	70.3 in/1786 mm
6TMH60-300	60/44.7	11	8	3		B86775	M16620	B86775N	M16621	76.75 in/1949 mm	63 in/1601 mm	83.3 in/2116 mm
6TMH75-300	75/55.9	13	13			B86776	M16167	B86776N	M16665	89.75 in/2280 mm	78 in/1982 mm	96.3 in/2447 mm
6TMH100-300	100/74.6	18	16	2		B86777	M16503	B86777N	M16521	22.75 in/3118 mm	100.5 in/2553 mm	128.8 in/3272 mm

Note 4: Effective assembled pump diameter with cable guard lying flat against pump is 8.25 inches

Note 5: Cable guard M10252 sold in 8' (2.43M) lengths only