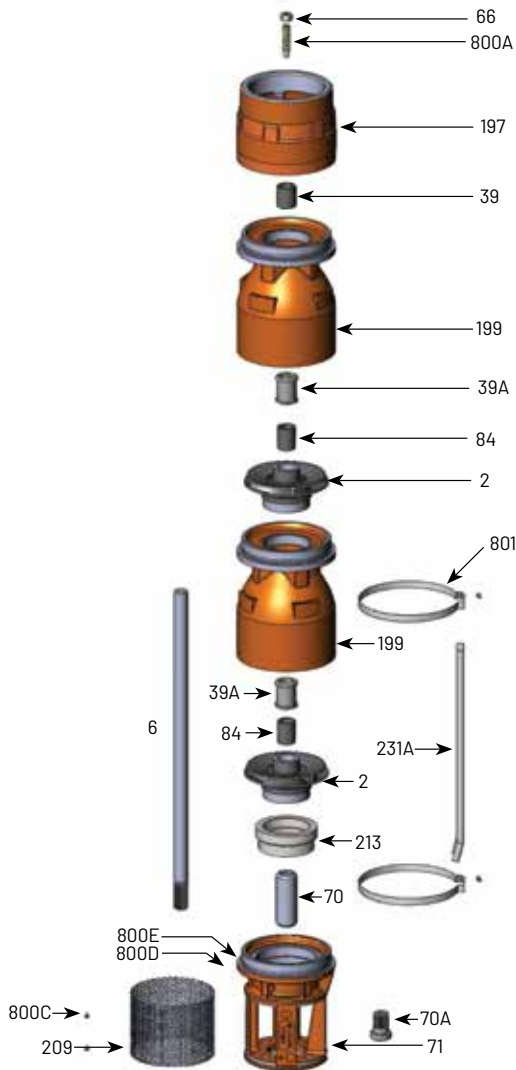




6TMH SERIES

300 GPM, 60HZ, NPT

Section	ST-6TMH
Page	1.0
Date	June 4, 2018
Supersedes	July 15, 2015



Item Number	Part Number	Description	Required Qty
2	See Table 3	Impeller	1 per stage
6	See Table 4	Shaft	1
39	M15886	Vesconite® Bearing	1
39A	S13636	Neoprene Bearing	1 per stage
66	M15881	Upthrust Nut, 1/2-13 LH	1
70	B86966	6" Motor Coupling	1
70A	M15847	4" Motor Coupling	1
71	M15869	6TMH 4" 7/6" Motor Suction Bracket*	1
84	S05301	1" Collet	1 per stage
199	B86169	6TMH-300 Bowl (includes Neoprene Bearing)	1 per stage
197	M15868	6TMH Discharge, 4" NPT**	1
209	M15870	Suction Screen	1
213	M15877	Intake Adapter Insert	1
231A	308666000	Cable Guard, 12' material	1
800A	M15882	Upthrust Screw, 1/2-13 LH	1
800C	M15937	Screen Screw, 8-32 x 3/8 Panhead	2
800D	M10199	Rivet, 3/32	2
800E	M09653	Nameplate	1
801	M15879	6TMH Cable Guard Clamp	2
not shown	M09970	Tag, Upthrust Adjustment	1
not shown	B86187	Bolt Kit, 6" Motor	1
not shown	M15847	Adapter Kit, 4" Motor	1
not shown	BE972	Owner's Manual	1

*Note 1: Motor bracket is dual machined for 4" and 6" motors.
 **Note 2: B86185 includes 39, 66, 197, 800A.
 ***Note 3: B86184 includes items 71, 213.

Item Number	Part Number	Description	Required Qty
39A	S13636	Neoprene Bearing	1 per stage
	S10708	Bronze Bearing	
199	B86169	6TMH-300 Bowl (includes Neoprene Bearing)	1 per stage
84	S05301	1" Collet	1 per stage
2	See Table 3	Impeller	1 per stage

Note 4: Bronze bearing may be used in place of the standard Neoprene Bearing.

Item Number	Part Number	Description	Required Qty
2	M15860	6TMH-300 "A" Impeller 5.250"	See Table 4
2	M15861	6TMH-300 "B" Impeller 5.000"	
2	M15862	6TMH-300 "C" Impeller 4.750"	

TABLE 4 – 60 Hz Staging Requirements Build Table

Series ⁵	HP/kW	Stag- es	"A" Trim	"B" Trim	"C" Trim	416 SS shaft		Ion-nitride shaft		Shaft Length (in/mm)	Cable Guard Length ⁶	Assembled pump length (motor not included)
						Pump catalog number	416 SS Shaft p/n ⁵	Pump catalog number	Ion Nitride Shaft p/n ⁵			
6TMH5-300	5/3.7	1		1		B86199	M15916	B86199N	M15947	11.75" / 298mm	9.5" / 241mm	17.15" / 436mm
6TMH7.5-300	7.5/5.6	1	1			B86200	M15916	B86200N	M15947	11.75" / 298mm	9.5" / 241mm	17.15" / 436mm
6TMH10-300	10/7.5	2		2		B86201	M15917	B86201N	M15948	18.25" / 464mm	16" / 406mm	23.65" / 601mm
6TMH15-300	15/11.2	2	2			B86202	M15917	B86202N	M15948	18.25" / 464mm	16" / 406mm	23.65" / 601mm
6TMH20-300	20/14.9	3	1	1	1	B86203	M15918	B86203N	M15949	24.75" / 629mm	22.5" / 572mm	30.15" / 766mm
6TMH25-300	25/18.6	4	2	1	1	B86867	M15919	B86867N	M15950	31.25" / 794mm	29" / 737mm	36.65" / 931mm
6TMH30-300	30/22.4	5	2	2	1	B86868	M15920	B86868N	M15928	37.75" / 959mm	35.5" / 902mm	43.15" / 1097mm
6TMH40-300	40/29.8	6	1	5		B86869	M15921	B86869N	M15952	44.25" / 1124mm	42" / 1067mm	49.65" / 1262mm
6TMH50-300	50/37.3	8	4	2	2	B86870	M15923	B86870N	M15954	57.25" / 1454mm	55" / 1397mm	62.65" / 1592mm
6TMH60-300	60/44.7	9	8	1		B86871	M15924	B86871N	M15955	63.75" / 1620mm	61.5" / 1562mm	69.15" / 1757mm
6TMH60-300	60/44.7	11	8	3		B86872	M16620	B86872N	M15521	76.75" / 1950mm	74.5" / 1893mm	82.15" / 2087mm

Note 5: Effective assembled pump diameter with cable guard lying flat against pump is 6.50 inches.
 Note 6: 4" and 6" pumps use the same shaft and cable guards.
 Note 7: Cable guard 308666000 sold in 12' (3.66m) lengths only.

293 WRIGHT STREET, DELAVAN, WI 53115 www.BerkeleyPumps.com PH: 888-237-5353 ORDERS FAX: 800-321-8793
 Because we are continuously improving our products and services, Pentair reserves the right to change specifications without prior notice.