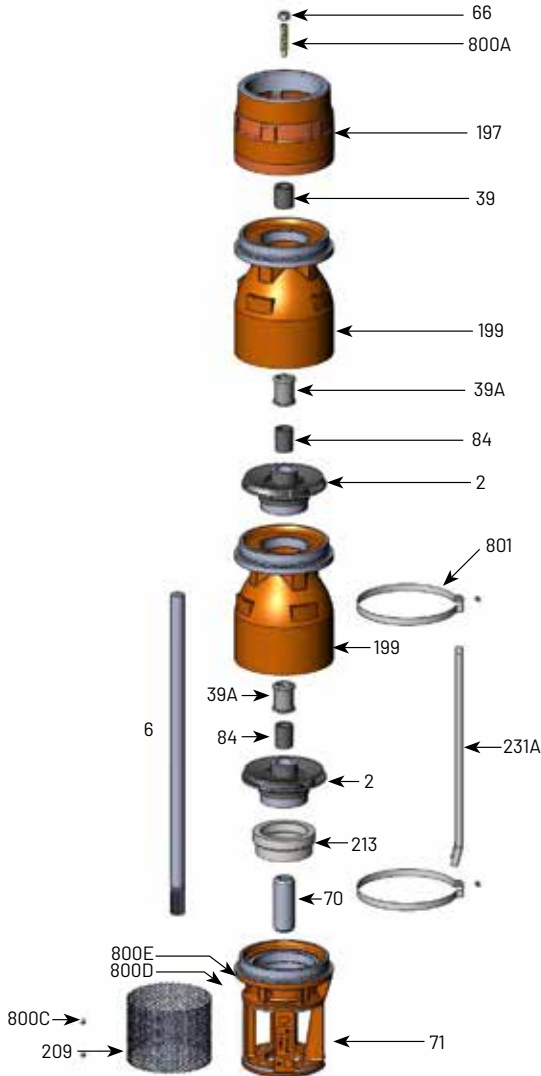




# 7TMH SERIES

## 230 GPM, 60HZ, NPT, 6" MOTOR

Section	ST-7TMH
Page	1.0
Date	June 4, 2018
Supersedes	March 1, 2016



Item Number	Part Number	Description	Required Qty
2	See Table 3	Impeller	1 Per Stage
6	See Table 4	Shaft	1
39	M15886	Vesconite Bearing	1
39A	S13636	Neoprene Bearing	1 Per Stage
66	M15881	Upthrust Nut, 1/2-13 LH	1
70	B86966	6" Motor Coupling	1
71	M16386	7TMH 6" Motor Suction Bracket*	1
84	S05301	1" Collet	1 Per Stage
197	M16387	7TMH discharge 5 x 6 NPT**	1
199	B86883	7TMH-230 Bowl (incl. Neoprene Bearing)	1 Per Stage
209	M16585	Suction Screen	1
213	M16596	Insert 7TMH-230 6" Suction Bracket	1
231A	30866000	Cable Guard, 12' material	1
800A	M15882	Upthrust Screw, 1/2-13 LH	1
800C	M15937	Screen Screw, 8-32 x 3/8 Panhead	2
800D	M10199	Rivet, 3/32	2
800E	M09653	Nameplate	1
801	M15880	7TMH Cable Guard Clamp	2
Not Illustrated	M09970	Tag, Upthrust Adjustment	1
Not Illustrated	B86187	Bolt Kit, 6" Motor	1
Not Illustrated	BE972	Owner's Manual	1

\*Note 1: B86886, includes items 39, 66, 197, 800A  
 \*\*Note 2: B86884 includes 71 and 213

Item Number	Part Number	Description	Required Qty
39A	S13636	Neoprene Bearing	1 Per Stage
	S10708	Bronze Bearing	
199	B86883	7TMH-230 Bowl (incl. Neoprene Bearing)	1 Per Stage
84	S05301	1" Collet	1 Per Stage
2	See Table 3	Impeller	1 Per Stage

Note 3: Bronze bearing may be used in place of the standard Neoprene Bearing.

Item Number	Part Number	Description	Required Qty
2	M16593	7TMH-230 "A" Impeller 5.983"	See Table 4
	M16594	7TMH-230 "B" Impeller 5.773"	
	M16595	7TMH-230 "C" Impeller 5.601"	
	M16859	7TMH-230 "D" Impeller 5.461"	

Series	HP/kW	Stages	Trim				416 SS shaft		Ion-nitride shaft		Shaft Length (in/mm)	Cable Guard Length <sup>1</sup>	Assembled pump length (motor not included)
			"A"	"B"	"C"	"D"	Pump catalog number	416 SS Shaft p/n <sup>2</sup>	Pump catalog number	Ion Nitride Shaft p/n <sup>3</sup>			
7TMH7.5-230	7.5/5.6kW	1			1		B87034	M16687	B87034N	M16687N	15.25 in/387.35 mm	11 in/280 mm	15.25 in/527.05 mm
7TMH10-230	10/7.5kW	1	1				B87035	M16687	B87035N	M16687N	15.25 in/387.35 mm	11 in/280 mm	15.25 in/387.35 mm
7TMH15-230	15/11.2kW	2			2		B87036	M16688	B87036N	M16688N	23.25 in/590.55 mm	19 in/483 mm	23.25 in/590.55 mm
7TMH20-230	20/14.9kW	3				3	B87037	M15919	B87037N	M15950	31.25 in/793.75 mm	27 in/686 mm	31.25 in/793.75 mm
7TMH25-230	25/18.6kW	3	1		2		B87038	M15919	B87038N	M15950	31.25 in/793.75 mm	27 in/686 mm	31.25 in/793.75 mm
7TMH30-230	30/22.4kW	4			4		B87039	M16689	B87039N	M16689N	39.25 in/996.95 mm	35 in/889 mm	39.25 in/996.95 mm
7TMH40-230	40/29.8kW	6				6	B87040	M16099	B87040N	M16132	55.25 in/1403.35 mm	51 in/1295.4 mm	51 in/1295.4 mm
7TMH50-230	50/37.3kW	6	1	3	2		B87041	M16099	B87041N	M16132	55.25 in/1403.35 mm	51 in/1295.4 mm	51 in/1295.4 mm
7TMH60-230	60/44.7kW	7	3	1	3		B87044	M16841	B87044N	M16843	63.25 in/1606.55 mm	59 in/1499 mm	63.25 in/1606.55 mm

Note 4: effective assembled pump diameter with cable guard lying flat against pump is 7.5 inches  
 Note 5: 6" and 8" pumps use the same shaft and cable guards.  
 Note 6: Cable guard 30866000 sold in 12' (3.66M) lengths only

293 WRIGHT STREET, DELAVAN, WI 53115 www.BerkeleyPumps.com PH: 888-237-5353 ORDERS FAX: 800-321-8793  
 Because we are continuously improving our products and services, Pentair reserves the right to change specifications without prior notice.