

WIN AGAINST MODERN FLUSHABLES

MNG SERIES



SUPERIOR CLOG RESISTANCE



REDUCED ENERGY CONSUMPTION



LOWER MAINTENANCE COSTS

PENTAIR® MYERS® MNG SERIES PREMIUM EFFICIENT SOLIDS HANDLING PUMPS

You're facing enough pressure to maintain your wastewater systems and ensure they operate efficiently and continuously. Let Myers MNG Series Pumps take that pressure off your hands.

Pentair Myers MNG Series Pumps help you win the battle against modern flushables, thanks to an innovative hydraulic design. Decrease your system's downtime, energy consumption and the need for maintenance with this stress-free, cost-effective solution.

HELPS SOLVE CLOGGING

- ◆ Semi-open impeller is designed to combat modern flushables in the wastewater stream
- ◆ Adjustable cutter plate sweeps debris along the leading edge before passing through the pump
- ◆ Through hardened impeller for long service life

LOWER COST OF OWNERSHIP

- ◆ Up to 30% increase in wire-to-water efficiencies compared to a vortex impeller*
- ◆ IE3 premium efficient motor design**

EASE OF INSTALLATION AND MAINTENANCE

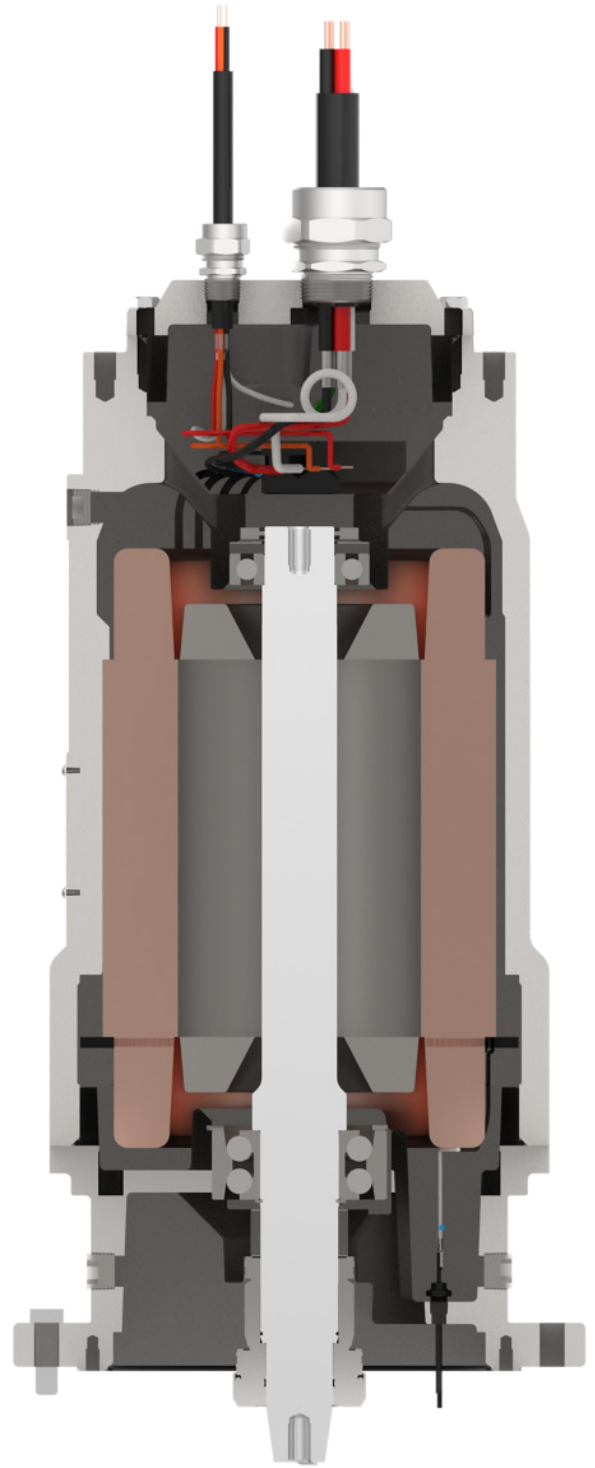
- ◆ Innovative semi-open impeller and cutter plate design eliminates the need for traditional wear ring
- ◆ Permanently lubricated bearings require no maintenance
- ◆ Standard cartridge seal on all models makes for a quick and easy seal replacement

LONGER PUMP LIFE

- ◆ Oil-filled motor provides superior heat transfer, resulting in lower running temperatures
- ◆ NEMA® Class H motor insulation aids in extending pump life
- ◆ Seal leak detection occurs in the outer chamber, identifying leaks before entering the motor housing

*Based on testing of Pentair Next-Gen Submersible Pump with semi-open impeller (Model MNG6HC020423) and Pentair legacy pump with recessed/vortex impeller (Model 4RC400M4-43).

**Excluding the 208V versions and 210 frame 20/23HP models.

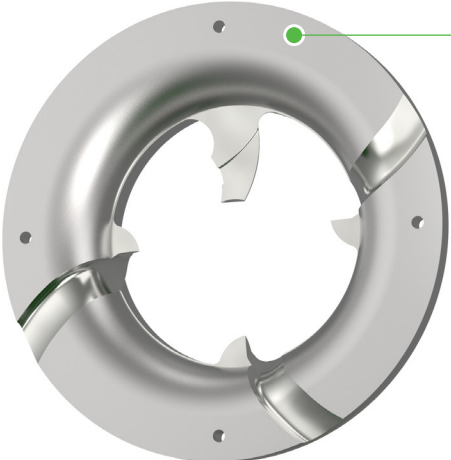


ENGINEERED FOR PERFORMANCE



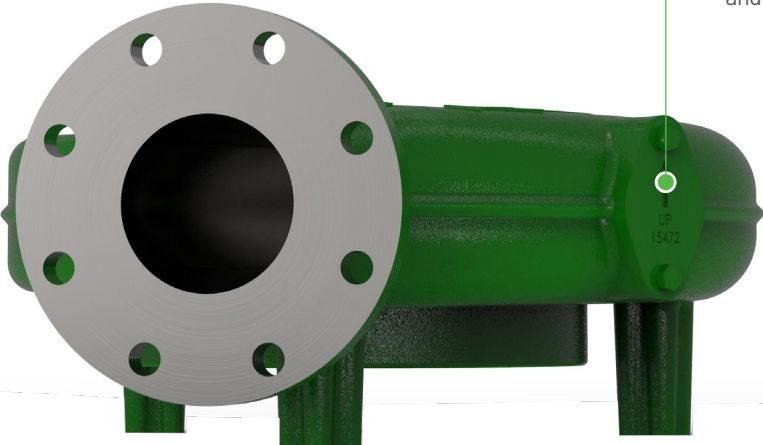
SEMI-OPEN IMPELLER

Semi-open design is optimized to tackle deformable solids and modern flushables and provides increased clog resistance.



CUTTER PLATE

Self-cleaning cutter plate sweeps solid objects along the leading edge. Easily adjustable clearance between cutter plate and impeller to maintain optimal operation to prevent clogs.



MIX-FLUSH READY

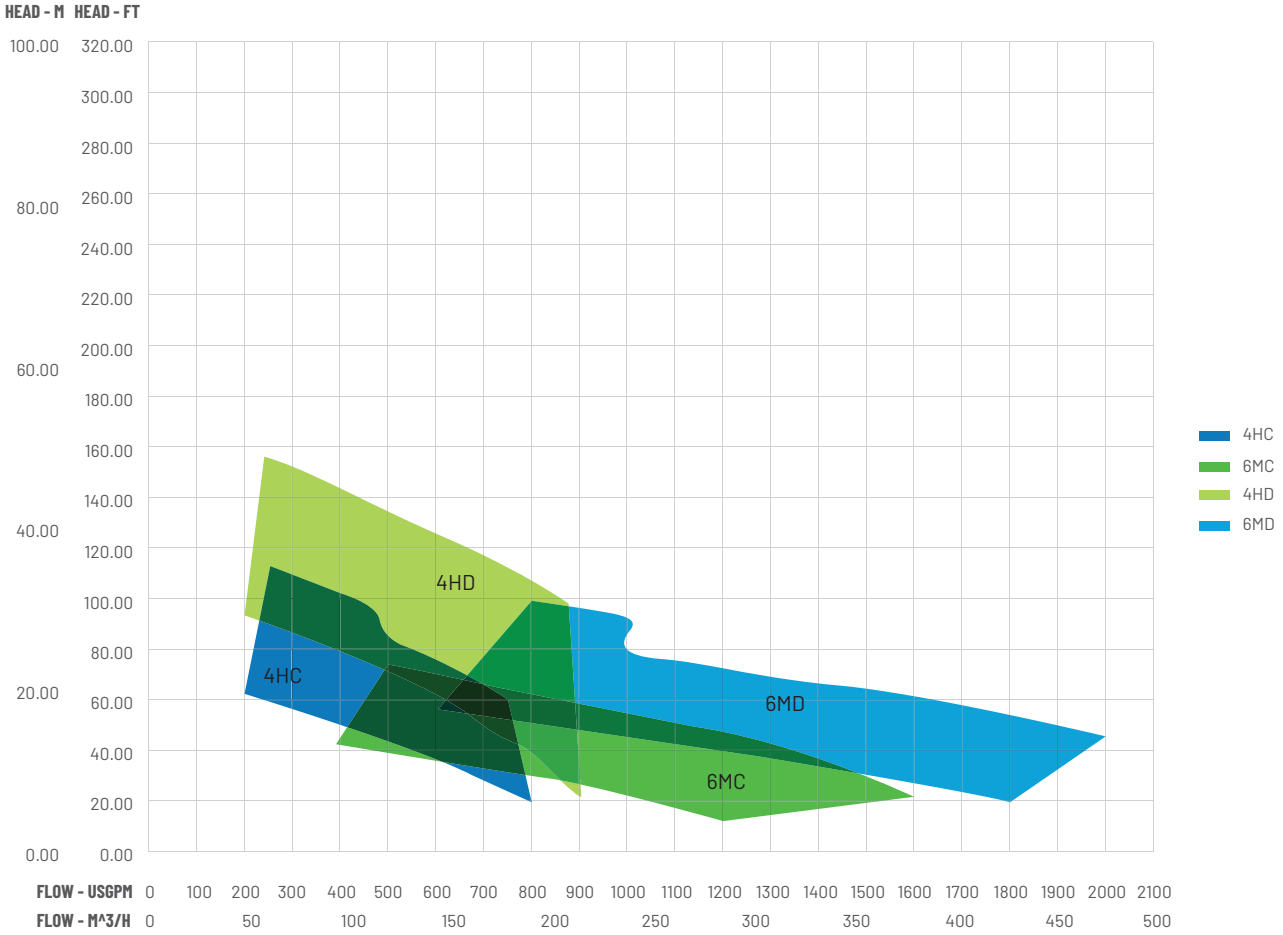
Integrated into volute for applications where grease layer buildup and solids settling is an issue.



DOUBLE ROW CONTACT BEARINGS

Permanently lubricated lower bearings result in fewer service calls over operating life.

MNG SERIES PERFORMANCE DATA



No Hassle Installation

Save time, money and headaches by installing your MNG Series Pump on your current rail system with an Elbow Adapter. This eliminates the need for a new rail in your system and allows your pump to be installed quickly and efficiently. Save time, money and headaches by installing your MNG Series Pump on your current Flygt®, KSB® or Sulzer® rail systems with an Elbow Adapter.



1101 Myers Parkway | Ashland, OH 44805 | 855.274.8948 | pentair.com/myers

All indicated Pentair trademarks and logos are property of Pentair. Third party registered and unregistered trademarks and logos are the property of their respective owners.

All FM Approvals' certification marks are the sole property of FM Approvals LLC.
 CSA is a registered trademark of CSA Group. All rights reserved
 NEMA® is the registered trademark and service mark of the National Electrical Manufacturers Association.
 Jacobs® is a registered trademark of Jacobs Engineering Group Inc.
 Sulzer® is a trademark filed by Sulzer Ag.
 FLYGT® is a trademark of XYLEM EUROPE GMBH.
 KSB® Pumps and Valves LTD is a registered trademark of KSB SE&CO. KGAA.

©2024 Pentair. All Rights Reserved.

MY14037BR (01-17-24)

