

# WASTEWATER GRINDER PUMPS

## VRS2 SERIES 2HP

The Myers VRS2 Series Wastewater Grinder Pumps feature a patented axial cutter technology that easily slices through solids and trash found in domestic wastewater without roping or clogging. The Grinder Pumps come with many standard features and are easy to install in residential settings.

### APPLICATIONS

Residential wastewater.



### FEATURES

- ◆ **Wide Angle Float Switch:** Piggy-back cord for easy maintenance.
- ◆ **Cable Entry System:** Cable jacket sealed by compression fitting and individual wires sealed by compression grommet for double seal protection against water ingress.
- ◆ **Oil-Filled Motor:** Maximizes heat dissipation and provides constant bearing lubrication for long life. High torque start/run capacitor for single phase motors for assured starting under heavy loads. Internal capacitors eliminate need for control panel.
- ◆ **Integrated Heat Sensor:** Protects motor from burnout due to excessive heat from any overload condition. Automatically resets when motor has cooled.
- ◆ **Shaft and Fasteners:** Stainless steel for maximum corrosion resistance and long life.
- ◆ **Shaft Seals:** Oil lubricated single carbon and ceramic faced seal provides motor protection.
- ◆ **Impeller:** Semi-open impeller handles ground slurry without clogging or binding. Pump-out vanes help keep trash from seal and reduces pressure at seal face for longer life.
- ◆ **Axial Cutter System:** Easily slice through solids and trash commonly found in domestic wastewater without roping or clogging. Constructed of 440 SST hardened to 57-60Rc for long life. Easily replaceable without dismantling pump.
- ◆ **Volute Case:** Cast iron, 1-1/4" vertical, flanged discharge.

### SPECIFICATIONS

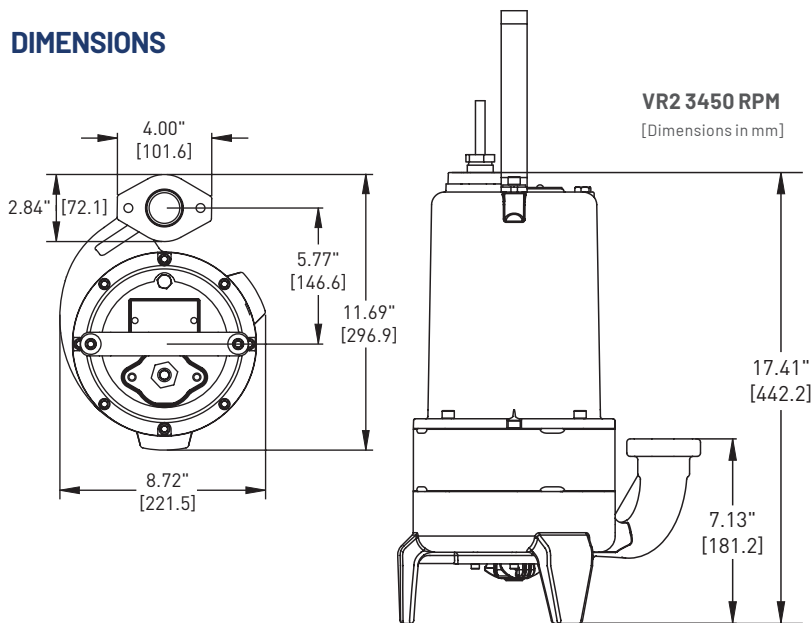
- ◆ **Capacities:** 58.5 GPM (221.4 LPM)
- ◆ **Heads To:** 169 ft. (51.5 m)
- ◆ **Intermittent Liquid Temp:** Up to 140°F (60°C)
- ◆ **Winding Insulation Temp. (Class F):** 311°F (155°C)
- ◆ **Motor Electrical Data:** 3450 RPM, 60 Hz, 1PH, 230V
- ◆ **Discharge (Flange Dia.):** 21-1/4 in. (31.75 mm)
- ◆ **Min. Sump Diameter:** Simplex = 24 in. (61.0 mm); Duplex = 36 in. (91.4 cm)
- ◆ **Motor Housing, Seal Housing, Cord Cap and Volute Case:** Cast iron, Class 30, ASTM A48
- ◆ **Semi-Open Impeller:** Stainless steel
- ◆ **Mechanical Seals:** Standard = Carbon and ceramic
- ◆ **Pump, Motor Shaft:** 416 SST
- ◆ **Fasteners:** 300 Series SST
- ◆ **Cutting Mechanism:** 440 SST 58-60 Rockwell

## 2 HP AUTOMATIC GRINDER PUMPS VR2 SERIES

### ELECTRICAL DATA

MODEL	ENGINEERING NUMBER	HP	VOLTAGE	PHASE	HZ	FULL LOAD AMPS	START AMPS	CORD LENGTH	DISCHARGE NPT	SWITCH	WEIGHT
VRS20A-21	28200D000	2	230	1	60	15	60.7	20	1-1/4"	Auto	95
VRS20M-21	28200D010	2	230	1	60	15	60.7	20	1-1/4"	Manual	95
VRH20A-21	28200D100	2	230	1	60	15	60.7	20	1-1/4"	Auto	95
VRH20M-21	28200D110	2	230	1	60	15	60.7	20	1-1/4"	Manual	95
VRF20A-21	28200D200	2	230	1	60	15	60.7	20	1-1/4"	Auto	95
VRF20M-21	28200D210	2	230	1	60	15	60.7	20	1-1/4"	Manual	95

### DIMENSIONS



## ORDERING INFORMATION

MODEL NUMBER	ENGINEERING NUMBER	HP	MAX CAPACITY	MAX HEAD	DISCHARGE NPT	SOLIDS HANDLING	VOLTS	FULL LOAD AMPS	PHASE	CORD LENGTH	SWITCH
VRS20A-21	28200D000	2	33	138	1-1/4"	-	230	15.0	1	20'	PT
VRS20M-21	28200D010	2	33	138	1-1/4"	-	230	15.0	1	20'	M
VRH20A-21	28200D100	2	22	169	1-1/4"	-	230	15.0	1	20'	M
VRH20M-21	28200D110	2	22	169	1-1/4"	-	230	15.0	1	20'	M
VRF20A-21	28200D200	2	59	105	1-1/4"	-	230	15.0	1	20'	M
VRF20M-21	28200D210	2	59	105	1-1/4"	-	230	15.0	1	20'	M
VRS20-R5S	25283D504	2	33	138	1-1/4"	-	230	15.0	1	20'	PT
VRS20-R6S	25283D505	2	33	138	1-1/4"	-	230	15.0	1	20'	PT
VRS20-R7S	25283D506	2	33	138	1-1/4"	-	230	15.0	1	20'	PT
VRS20-R8S	25283D507	2	33	138	1-1/4"	-	230	15.0	1	20'	PT
VRS20A-21 RETRO FIT KIT	28164P146	2	33	138	1-1/4"	-	230	15.0	1	20'	PT
VRS20A-21 RETRO FIT KIT	28164P147	2	33	138	1-1/4"	-	230	15.0	1	20'	PT



293 Wright St  
Delavan, WI 53115  
Ph: 888.987.8677  
Fx: 800.426.9446

490 Pinebush Rd, Unit 4  
Cambridge, Ontario N1T 0A5, Canada  
Ph: 800.363.7867  
Fx: 888.606.5484

pentair.com

All indicated Pentair trademarks and logos are property of Pentair. Third party registered and unregistered trademarks and logos are the property of their respective owners. Because we are continuously improving our products and services, Pentair reserves the right to change specifications without prior notice. Pentair is an equal opportunity employer.

©2023 Pentair. All Rights Reserved.

MY99632 (08-01-23)