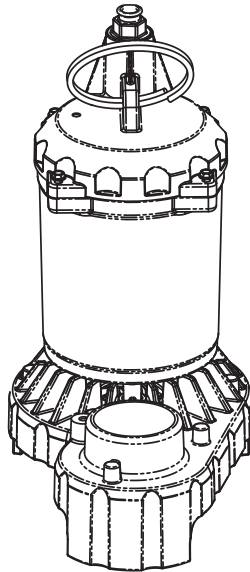


**Submersible Cast Iron and Zinc  
Sump Pump****MYERS®**

NOTICE D'UTILISATION

**Pompe de puisard  
submersible en fonte et zinc**

MANUAL DEL USUARIO

**Bomba de sumidero sumergible,  
en hierro fundido y zinc****MS33D, MS50D, MS33M, MS50M,  
MS33T, MS50T, MS33V, MS50V****Installation/Operation/Parts***For further operating,  
installation, or maintenance  
assistance:***Call 1-888-987-8677****English..... Pages 2-7****Installation/Fonctionnement/Pièces***Pour plus de renseignements  
concernant l'utilisation,  
l'installation ou l'entretien :***Composer le 1 (888) 987-8677****Français ..... Pages 8-13****Instalación/Operación/Piezas***Para mayor información sobre el  
funcionamiento, instalación o  
mantenimiento de la bomba:***Llame al 1-888-987-8677****Español.....Paginas 14-19**

**Important Safety Instructions**

SAVE THESE INSTRUCTIONS - This manual contains important instructions that should be followed during installation, operation, and maintenance of the product.

**⚠** This is the safety alert symbol. When you see this symbol on your pump or in this manual, look for one of the following signal words and be alert to the potential for personal injury!

**⚠ DANGER** indicates a hazard which, if not avoided, will result in death or serious injury.

**⚠ WARNING** indicates a hazard which, if not avoided, could result in death or serious injury.

**⚠ CAUTION** indicates a hazard which, if not avoided, could result in minor or moderate injury.

**NOTICE** addresses practices not related to personal injury.

Carefully read and follow all safety instructions in this manual and on pump.

Keep safety labels in good condition. Replace missing or damaged safety labels.

**California Proposition 65 Warning**

**⚠ WARNING** This product contains chemicals known to the State of California to cause cancer or birth defects or other reproductive harm.

**NOTICE** This unit is not designed as a waterfall or fountain pump, or for applications involving salt water or brine! Use with waterfalls, fountains, salt water or brine will void warranty.

Do not use where water recirculates.

Not designed for use in swimming pools.

**NOTICE** Read this Owner's Manual for installation, operation, and safety information.

1. Know the pump application, limitations, and potential hazards.
2. Do not use in water with fish present. If any oil leaks out of the motor it can kill fish.

3. Disconnect power before servicing.
4. Release all pressure within system before servicing any component.
5. Drain all water from system before servicing.
6. Secure discharge line before starting pump. An unsecured discharge line will whip, possibly causing personal injury and/or property damage.
7. Check hoses for weak or worn condition before each use, making certain that all connections are secure.
8. Periodically inspect sump, pump and system components. Keep free of debris and foreign objects. Perform routine maintenance as required.
9. Provide means of pressure relief for pumps whose discharge line can be shut-off or obstructed.
10. Personal Safety:
  - a. Wear safety glasses at all times when working with pumps.
  - b. Keep work area clean, uncluttered and properly lighted – replace all unused tools and equipment.
  - c. Keep visitors at a safe distance from work area.
  - d. Make workshop child-proof – with padlocks, master switches, and by removing starter keys.
11. When wiring an electrically driven pump, follow all electrical and safety codes that apply.
12. This equipment is only for use on 115 volt (single phase) and is equipped with an approved 3-conductor cord and 3-prong, grounding-type plug.

**⚠ WARNING Risk of electric shock.** Can shock, burn or kill. This pump has not been investigated for use in swimming pool areas. Pump is supplied with a grounding conductor and grounding-type attachment plug. Be sure it is connected only to a properly grounded grounding-type receptacle.

**Specifications**

Power supply required.....115V, 60 HZ.  
 Liquid Temp. Range.....32°F to 70°F(0°-21°C)  
 Individual Branch Circuit Required (min.).....15 Amps  
 Discharge.....1-1/2" FNPT

**NOTICE** Do not reduce size of discharge pipe or hose below 1-1/4" diameter. If discharge is too small, pump will overheat and fail prematurely.

This pump is designed for use in a residential sump only. Only pump water with this pump.

**Performance**

GPM (LPM) at total feet (m) of lift						No flow at height shown below
Series	HP	5 (1.5m)	10 (3m)	15 (4.6m)	20 (6.1m)	
Capacity Gallons(L)/Minute						25 (7.6)
MS33	1/3*	53	45	36	24	
MS50	1/2	66	56	44	28	

\* 1/3 HP Performance

**Electrical & Switch Specifications**

Series	HP	Motor Full Load Amps	Individual Branch Circuit Req. (Amps)	Automatic Switch Type	Switch Setting in inches Water Level For:	
					On	Off
MS33V	1/3*	3.9	15A 115 VAC	Vertical Switch	7-1/2"	3"
MS50V	1/2	4.1			Tethered Switch	14"
MS33T	1/3*	3.9		Diaphragm Switch		9-1/2"
MS50T	1/2	4.1			Non-Automatic Option. No switch included.	
MS33D	1/3*	3.9				
MS50D	1/2	4.1				
MS33M	1/3*	3.9				
MS50M	1/2	4.1				

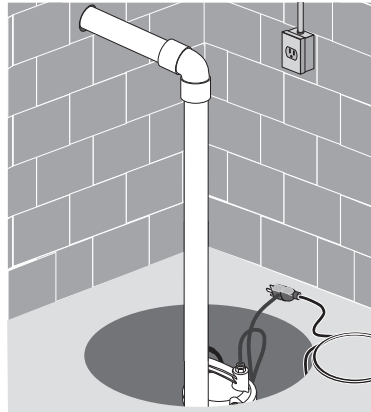
Where a 2-prong wall receptacle is encountered, it must be replaced with properly grounded 3-prong receptacle installed in accordance with codes and ordinances that apply.

13. All wiring should be performed by a qualified electrician.
14. Make certain power source conforms to requirements of your equipment.
15. Protect electrical cord from sharp objects, hot surfaces, oil, and chemicals. Avoid kinking cord. Replace or repair damaged or worn cords immediately.
16. Do not touch an operating motor. Modern motors can operate at high temperatures.
17. Do not handle pump or pump motor with wet hands or when standing on wet or damp surface, or in water.

**⚠️ WARNING Risk of electric shock.** Can shock, burn or kill. If your basement has water or moisture on floor, do not walk on wet area until all power has been turned off. If shut-off box is in basement, call electric company or hydro authority to shut-off service to house, or call your local fire department for instructions. Remove pump and repair or replace. Failure to follow this warning can result in fatal electrical shock.

Do not lift pump by power cord.

## Installation



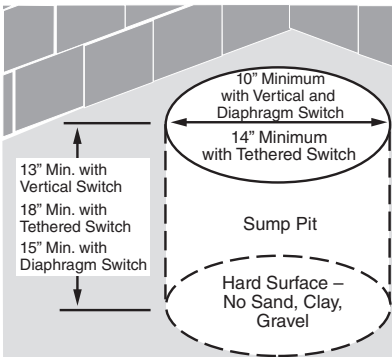
**NOTICE** Do not use ordinary pipe joint compound on plastic pipe. Pipe joint compound can attack plastics.

4. Install discharge plumbing. Use rigid plastic pipe and wrap threads with PTFE pipe thread sealant tape. Screw pipe into pump hand tight plus 1-1/2 turns.

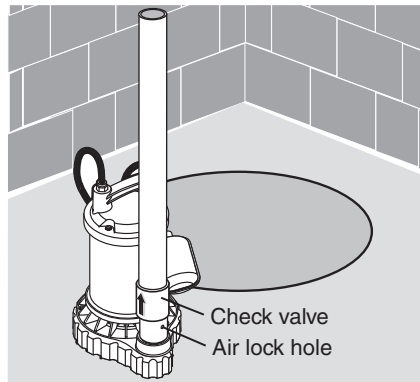
**⚠️ CAUTION Risk of flooding.** Can cause personal injury and/or property damage. If a flexible discharge hose is used, make sure pump is secured in sump to prevent movement. Failure to secure pump may allow pump movement, switch interference and prevent pump from starting or stopping.

5. To reduce motor noise and vibrations, a short length of rubber hose (1-7/8" (47.6mm) I.D., e.g. radiator hose) can be connected into discharge line near pump using suitable clamps.
6. Install an in-line check valve or an in-pump check valve to prevent flow backwards through pump when pump shuts off.

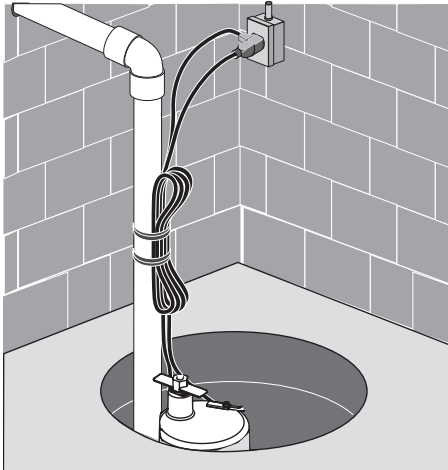
**NOTICE** If your check valve is not equipped with an air bleed hole to prevent airlocking pump, drill a 1/8" (3.2 mm) hole in discharge pipe just above where the discharge pipe screws into the pump discharge. Be sure the hole is below the waterline and the check valve to prevent air locks.



1. Install pump in sump pit with minimum diameter of 10" (254mm) for models equipped with vertical switches and 14" (356mm) for tethered float switch models. Sump depth should be 18" (457mm) for tethered models and 13" (330mm) for vertically switched models. Construct sump pit of tile, concrete, steel or plastic. Check local codes for approved materials and for proper installation.
2. Install pump in pit so that switch operating mechanism has maximum possible clearance.
3. Pump should not be installed on clay, earth or sand surfaces. Clean sump pit of small stones and gravel which could clog pump. Keep pump inlet screen clear.

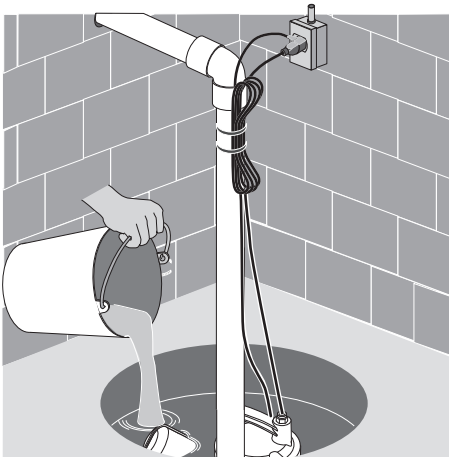


7. Power Supply: Pump is designed for 115 V., 60 Hz., operation and requires a minimum 15 amp individual branch circuit. Both pump and switch are supplied with 3-wire cord sets with grounding-type plugs. Switch plug is inserted directly into outlet and pump plug inserts into opposite end of switch plug.



- ⚠ WARNING Risk of electric shock.** Can shock, burn or kill. Pump should always be electrically grounded to a suitable electrical ground such as a grounded water pipe or a properly grounded metallic raceway, or ground wire system. Do not cut off round ground pin.
8. If pump discharge line is exposed to outside sub-freezing atmosphere, portion of line exposed must be installed so any water remaining in pipe will drain to the outfall by gravity. Failure to do this can cause water trapped in discharge to freeze which could result in damage to pump.
  9. After piping, check valve and float switch have been installed, the unit is ready for operation.
  10. Secure power cords to the discharge pipe so they are out of the way for proper float switch operation, prior to testing the unit.
  11. Check the pump operation by filling sump with water and observing pump operation through one complete cycle. For switch settings see the Electrical and Switch Specifications chart.

**⚠ CAUTION Risk of flooding.** Can cause personal injury and/or property damage. Failure to make this operational check may lead to improper operation, premature failure, and flooding.



### Operation

**⚠ WARNING Risk of electric shock.** Can shock, burn or kill. Do not handle a pump or pump motor with wet hands or when standing on wet or damp surface, or in water.

1. Shaft seal depends on water for lubrication. Do not operate pump unless it is submerged in water as seal may be damaged if allowed to run dry.
2. Motor is equipped with automatic reset thermal protector. If temperature in motor should rise excessively, switch will cut off all power before damage can be done to motor. When motor has

cooled sufficiently, switch will reset automatically and restart motor. If protector trips repeatedly, pump should be removed and checked as to cause of difficulty. Low voltage, long extension cords, clogged impeller, very low head or lift, or a plugged or frozen discharge pipe, etc., could cause cycling.

3. Pump will not remove all water. If operating a pump manually, and suddenly no water comes out of the discharge hose, shut off the unit immediately. The water level is probably very low and the unit has broken prime.

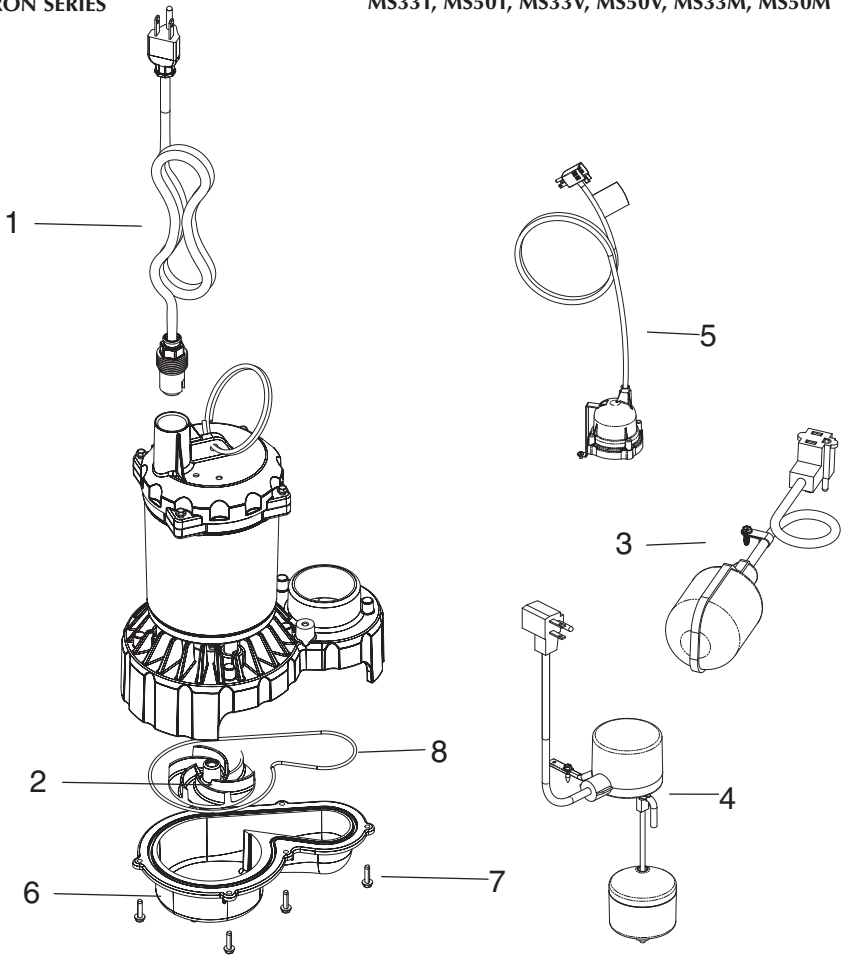
**⚠ WARNING Risk of electric shock.** Can shock, burn or kill. Before attempting to check why unit has stopped operating, disconnect power from unit.

### Troubleshooting

Symptom	Possible Cause(s)	Corrective Action
Pump won't start or run	Pump is not plugged in	Check and see if pump is plugged into a proper outlet.
	Blown fuse	If blown, replace with fuse of proper size.
	Low line voltage	If voltage under recommended minimum, check size of wiring from main switch on property. If OK, contact power company or hydro authority.
	Defective motor	Replace pump.
	Defective float switch	Replace float switch.
	Impeller	If impeller won't turn, remove lower pump body and locate source of binding.
	Float obstructed	Remove obstruction.
Pump starts and stops too often	Backflow of water from piping	Install or replace check-valve.
	Faulty float switch	Replace float switch.
Pump won't shut off	Defective float switch	Replace float switch.
	Restricted discharge (obstacle or ice in piping)	Remove pump and clean pump and piping.
	Float obstructed	Remove obstructed.
Pump operates but delivers little or no water	Restricted intake screen	Remove the pump and clean the intake screen and the impeller.
	Low line voltage	If voltage under recommended minimum, check size of wiring from main switch on property. If OK, contact power company or hydro authority.
	Something caught in impeller	Remove the pump and clean out the impeller.
	Worn or defective parts or plugged impeller	Clean impeller if plugged; otherwise replace pump.
	Check valve installed without vent hole	Drill a 1/16" - 1/8" (1.6mm-3.2mm) dia. hole between pump discharge & check valve (1-2" above where the discharge pipe screws into the pump discharge and below the waterline).
Restricted intake screen	Remove the pump and clean out the intake screen.	
Check valve is installed either backward or upside down	Be sure check valve is installed correctly.	

CAST IRON SERIES

MS33T, MS50T, MS33V, MS50V, MS33M, MS50M



Ref.	1	2	3	4	5	6	7	8
Model #	Power Cord Assembly	Impeller	Tethered Float Switch	Vertical Float Switch	Diaphragm Switch	Lower Volute	Screw #8-32 x 1/2" (6 pcs)	O-ring - 162 Buna - N 5.75 x 3/32
MS33V10	PW17-281	P55-285		PS117-2126		PS1-326	U30-1047SS	U9-470
MS33V20	PS17-2121	P55-285		PS117-2127				
MS50V10	PW17-281	P55-286		PS117-2126				
MS50V20	PS17-2121	P55-286		PS117-2127				
MS33T10	PW17-281	P55-285	PS17-91					
MS33T20	PS17-2121	P55-285	PS17-93					
MS50T10	PW17-281	P55-286	PS17-91					
MS50T20	PS17-2121	P55-286	PS17-93					
MS33D10	PW17-281	P55-285			149740005-01			
MS33D20	PS17-2121	P55-285			149740015-01			
MS50D10	PW17-281	P55-286			149740005-01			
MS50D20	PS17-2121	P55-286			149740015-01			
MS33M20	PS17-2121	P55-285						
MS50M20	PS17-2121	P55-286						

\*Purchase locally | \*\*If motor fails, replace entire pump

**Limited Warranty**

Myers® warrants to the original consumer purchaser (“Purchaser” or “You”) of the products listed below, that they will be free from defects in material and workmanship for the Warranty Period shown below.

Product	Warranty Period whichever occurs first:
Jet pumps, small centrifugal pumps, submersible pumps and related accessories	12 months from date of original installation, or 18 months from date of manufacture
Fibrewound Tanks	5 years from date of original installation
Steel Pressure Tanks	5 years from date of original installation
Sump/Sewage/Effluent Products	12 months from date of original installation, or 36 months from date of manufacture
Battery Backup Units MBSP-2, MBSP-2C  MBSP-3, MBSP-3C	12 months from date of original installation, or 18 months from date of manufacture  24 months from date of original installation, or 30 months from date of manufacture
Wastewater Solids Handling Pumps	12 months from date of shipment from factory or 18 months from date of manufacture

Our warranty applies only where such products are used in compliance with the requirements of the applicable product catalog and/or manuals. For additional information, please refer to the applicable standard limited warranty featured in the product manual.

Our warranty will not apply to any product that, in our sole judgement, has been subject to negligence, misapplication, improper installation, or improper maintenance. Without limiting the foregoing, operating a three phase motor with single phase power through a phase converter will void the warranty. Note also that three phase motors must be protected by three-leg, ambient compensated, extra-quick trip overload relays of the recommended size or the warranty is void.

Your only remedy, and MYERS’s only duty, is that MYERS repair or replace defective products (at MYERS’s choice). You must pay all labor and shipping charges associated with this warranty and must request warranty service through the installing dealer as soon as a problem is discovered. No request for service will be accepted if received after the Warranty Period has expired. This warranty is not transferable.

MYERS SHALL NOT BE LIABLE FOR ANY CONSEQUENTIAL, INCIDENTAL, OR CONTINGENT DAMAGES WHATSOEVER.


THE FOREGOING LIMITED WARRANTIES ARE EXCLUSIVE AND IN LIEU OF ALL OTHER EXPRESS AND IMPLIED WARRANTIES, INCLUDING BUT NOT LIMITED TO IMPLIED WARRANTIES OF MERCHANTABILITY AND FITNESS FOR A PARTICULAR PURPOSE. THE FOREGOING LIMITED WARRANTIES SHALL NOT EXTEND BEYOND THE DURATION PROVIDED HEREIN.

Some states do not allow the exclusion or limitation of incidental or consequential damages or limitations on the duration of an implied warranty, so the above limitations or exclusions may not apply to You. This warranty gives You specific legal rights and You may also have other rights which vary from state to state.

This Limited Warranty is effective April 1, 2014 and replaces all undated warranties and warranties dated before April 1, 2014.

**F.E. MYERS**  
**293 Wright Street, Delavan, WI 53115**  
**Phone: 888-987-8677 • Fax: 800-426-9446 • www.femyers.com**  
**In Canada: 490 Pinebush Road, Unit 4, Cambridge, Ontario N1T 0A5**  
**Phone: 800-363-7867 • Fax: 888-606-5484**

## Directives de sécurité importantes

**Conservez ces directives** – Ce manuel renferme d'importantes directives qu'il faut suivre durant l'installation, le fonctionnement et l'entretien de la pompe. Ce symbole  indique qu'il faut être prudent. Lorsque ce symbole apparaît sur la pompe ou dans cette Notice, recherchez une des mises en garde qui suivent, car elles indiquent un potentiel de blessures corporelles!

Le mot signal **▲ DANGER** indique un danger qui, s'il n'est pas évité, causera la mort ou des blessures graves.

Le mot signal **▲ AVERTISSEMENT** indique un risque qui, s'il n'est pas évité, pourrait causer la mort ou des blessures graves.

Le mot signal **▲ ATTENTION** indique un risque qui, s'il n'est pas évité, pourrait causer des blessures mineures ou modérées.

Le mot **AVIS** est utilisé pour les pratiques qui ne sont pas reliées aux blessures personnelles.

Lire attentivement toutes les consignes de sécurité contenues dans cette Notice ou collées sur la pompe.

Garder les autocollants de sécurité en bon état; les remplacer s'ils manquent ou s'ils ont été endommagés.

### Avertissement lié à la Proposition 65 de la Californie

**▲ AVERTISSEMENT** Ce produit et les accessoires connexes contiennent des produits chimiques reconnus dans l'État de la Californie comme pouvant provoquer des cancers, des anomalies congénitales ou d'autres dangers relatifs à la reproduction.

**AVIS** Cette pompe n'est pas conçue pour être utilisée en tant que pompe de fontaine ou de chute d'eau ni dans des eaux salées ou de saumure! Son utilisation avec une chute d'eau, une fontaine, de l'eau salée ou de saumure annulera la garantie.

Ne pas utiliser où de l'eau recircule.

Cette pompe n'est pas conçue pour vider les piscines.

**AVIS** Lire attentivement cette Notice d'utilisation pour l'installation, le fonctionnement et les consignes de sécurité.

1. Avant tout, il faut connaître les applications de la pompe, ces limites et les dangers potentiels que présente son utilisation.
2. Ne pas utiliser pour pomper de l'eau dans laquelle se trouvent des poissons. Une fuite d'huile provenant du moteur pourrait tuer les poissons.

## Rendement

Litres par minute (gallons) à la hauteur totale de refoulement en pieds (mètres)						
Série	Puiss.	5 (1,5m)	10 (3m)	15 (4,6m)	20 (6,1m)	Aucun débit à la hauteur suivante
Volume litres (gl)/Minute						
MS33	1/3*	53	45	36	24	25 (7,6)
MS50	1/2	66	56	44	28	

## Caractéristiques électriques et de commutation

Série	Puiss.	Charge complète moteur (Amp)	Circuit de dérivation individuel requis en ampères	Type d'interrupteur automatique	Réglages de l'interrupteur en pouces Niveaux de l'eau pour :	
					Marche	Arrêt
MS33V	1/3*	3,9	15A 115 VAC	Interrupteur vertical	7-1/2 po	3 po
MS50V	1/2	4,1			Interrupteur à cordon	14 po
MS33T	1/3*	3,9		Interrupteur à diaphragme		9-1/2 po
MS50T	1/2	4,1			Option non automatique. Aucun interrupteur compris.	
MS33D	1/3*	3,9				
MS50D	1/2	4,1				
MS33M	1/3*	3,9				
MS50M	1/2	4,1				

3. Avant d'intervenir sur la pompe, couper le courant.
4. Dissiper toute la pression du circuit d'eau avant d'intervenir sur un des éléments de la pompe.
5. Vidanger l'eau du circuit avant d'intervenir sur la pompe.
6. Bien immobiliser la canalisation de refoulement avant de faire fonctionner la pompe. Une canalisation de refoulement non immobilisée risque de se déplacer comme un fouet et de causer des blessures corporelles et/ou des dommages matériels.
7. Avant chaque utilisation, s'assurer que les tuyaux souples ne comportent pas de points faibles ni de parties usées et que tous les raccords sont bien serrés.
8. Périodiquement, inspecter la pompe et tous les éléments de l'ensemble. Procéder à un entretien périodique selon le besoin.
9. Prévoir un moyen de dissiper la pression des pompes dont la canalisation de refoulement peut être fermée ou obstruée.
10. Sécurité personnelle :
  - a. Lorsque l'on intervient sur une pompe, toujours porter des lunettes de sécurité.
  - b. Toujours garder la zone de travail propre, dégagée et bien éclairée – Enlever tous les outils et tout l'équipement inutiles.
  - c. Les visiteurs doivent se tenir à une distance sécuritaire de la zone de travail.
  - d. Poser des cadenas pour s'assurer que les enfants ne pourront pas pénétrer dans l'atelier de travail. Poser aussi un interrupteur général et enlever les clés des démarreurs.
11. Lorsque l'on câble une pompe électrique, observer tous les codes de sécurité et de l'électricité applicables.
12. Cet équipement ne fonctionne que sur le courant 115 volts (monophasé) et est muni d'un cordon d'alimentation approuvé à 3 conducteurs et d'une fiche à 3 broches dont une de mise à la terre.

## Caractéristiques

Courant d'alimentation requis ..... 115 V, 60 Hz  
 Gamme de températures du liquide ..... de 0 à -21 °C  
 (32 °F à 70 °F)

Circuit de dérivation individuel requis (min) .... 15 ampères  
 Refoulement. .... 1-1/2 po FNPT

**AVIS** Ne pas réduire la taille du tuyau de refoulement au-dessous de 1-1/4 po de diamètre. Si le refoulement est trop petit, il y aura surchauffement et panne prématurée de la pompe.

Cette pompe est conçue pour être utilisée dans un puisard résidentiel. Ne pomper que de l'eau avec cette pompe.

\* 1/3 HP Performance



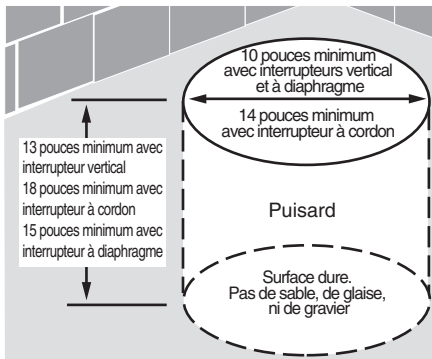
Au cas où l'installation ne comporterait que des prises de courant à 2 trous, remplacer la prise dans laquelle la fiche sera branchée par une prise de courant à 3 trous adéquatement mise à la terre et posée conformément aux codes et aux décrets applicables.

13. Tout le câblage doit être exécuté par un électricien qualifié.
14. S'assurer que la source du courant est conforme aux caractéristiques de l'équipement.
15. Protéger le cordon électrique contre les objets tranchants, les surfaces chaudes, l'huile et les produits chimiques. Éviter de nouer le cordon. Remplacer immédiatement le cordon s'il est endommagé ou usé.
16. Ne pas toucher le moteur de la pompe pendant qu'il fonctionne. Les moteurs modernes peuvent fonctionner à des températures élevées.
17. Ne pas manipuler la pompe ni le moteur de la pompe lorsqu'on a les mains humides ou lorsqu'on se tient debout sur une surface mouillée, humide ou dans l'eau.

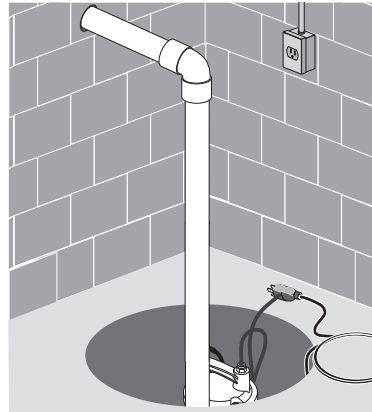
**⚠ AVERTISSEMENT Risque de secousses électriques.** Peut causer des secousses électriques, des brûlures, voire la mort. Si le sol du sous-sol est humide ou couvert d'eau, ne pas marcher sur cette surface humide tant que toute l'alimentation en courant électrique n'a pas été interrompue. Si le sectionneur principal se trouve au sous-sol, appeler la compagnie qui fournit l'électricité pour lui demander d'interrompre le service parvenant à la maison ou appeler le service d'incendie local pour plus de renseignements. Déposer la pompe, la réparer ou la remplacer. On risque d'être mortellement électrocuté si l'on n'observe pas cet avertissement.

Ne pas lever la pompe par son cordon électrique.

## Installation



1. Dans le cas de modèles équipés d'un interrupteur vertical, installer la pompe dans un puisard ayant un diamètre minimum de 25,4 cm (10 pouces) et dans un puisard ayant un diamètre minimum de 35,6 cm (14 pouces) dans le cas des pompes équipées d'un interrupteur à flotteur à cordon. Le puisard doit avoir une profondeur minimum de 45,7 cm (18 po) dans le cas des modèles à cordon et de 33,0 cm (13 po) dans le cas des modèles à interrupteur à flotteur vertical. Le puisard peut être construit avec des tuiles, du béton, de l'acier ou du plastique. Consulter les codes municipaux pour connaître le matériau approuvé et pour procéder adéquatement à l'installation.
2. Installer la pompe dans le puisard de façon que le mécanisme actionnant l'interrupteur puisse avoir le plus grand dégagement possible.
3. Il ne faut pas poser la pompe sur une surface en argile, en terre ou sablonneuse. Enlever les petites pierres et le gravier du puisard qui risqueraient de boucher la pompe. La crépine d'admission d'eau de la pompe doit toujours être dégagée.



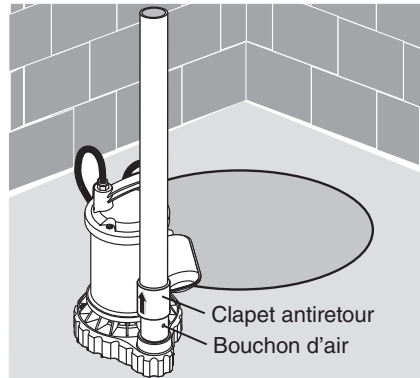
**AVIS** Ne pas utiliser de pâte à joint ordinaire pour tuyaux filetés sur les tuyaux en plastique car cette pâte peut attaquer les plastiques.

4. Poser la tuyauterie de refoulement. Utiliser des tuyaux en plastique rigide et envelopper les filets de ruban d'étanchéité en téflon. Visser bien serré le tuyau à la main dans la pompe, puis le visser de 1-1/2 tour supplémentaire.

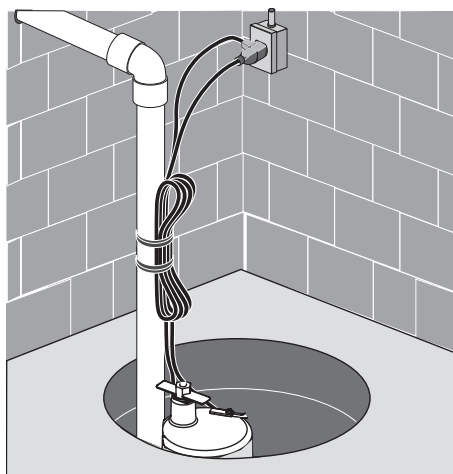
**⚠ ATTENTION Risque d'inondation.** Peut causer des blessures corporelles et/ou des dommages matériels. Si l'on utilise un tuyau de refoulement souple, s'assurer que la pompe est bien immobilisée dans le puisard pour empêcher qu'elle se déplace. Si la pompe n'est pas bien immobilisée, elle risque de se déplacer, l'interrupteur risque de se coincer et d'empêcher la pompe de démarrer ou de s'arrêter.

5. Pour minimiser le bruit du moteur et les vibrations, un petit morceau de tuyau en caoutchouc (de 4,76 cm [1-7/8 po] de dia. int., une durite de radiateur, par exemple) peut être posé sur la conduite de refoulement à l'aide de colliers, près de la pompe.
6. Poser un clapet antiretour en ligne ou un clapet antiretour logé dans la pompe pour empêcher l'eau de retomber dans la pompe lorsqu'elle est arrêtée.

**AVIS** Si le clapet antiretour ne comporte pas un trou de purge d'air pour empêcher les bouchons d'air dans la pompe, percer un trou de 3,2 mm (1/8 de po) dans le tuyau de refoulement, juste au-dessus où le tuyau de refoulement se visse dans le refoulement de la pompe. S'assurer que le trou est sous le niveau de l'eau et le clapet antiretour pour empêcher la formation de bouchons d'air.



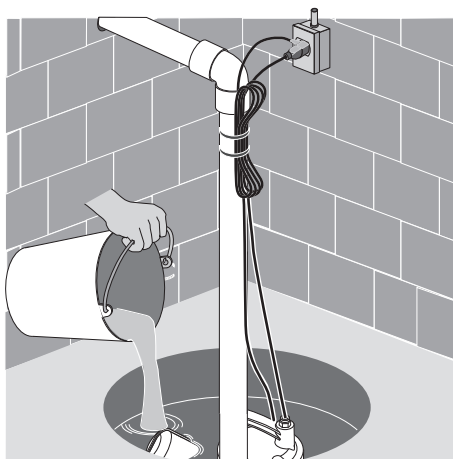
7. Courant électrique : La pompe est conçue pour fonctionner sur le courant électrique de 115 V, 60 Hz, et elle doit être branchée sur un circuit de dérivation individuel d'au moins 15 ampères. La pompe et l'interrupteur sont livrés avec des cordons électriques à 3 conducteurs et des fiches avec broches de terre. La fiche de l'interrupteur se branche directement dans la prise de courant et la fiche du cordon de la pompe se branche à l'arrière de la fiche de l'interrupteur.



**⚠ AVERTISSEMENT** **Risque de secousses électriques.** Peut causer des secousses, des brûlures, voire la mort. La pompe doit toujours être raccordée à la terre, sur un tuyau d'eau mis à la terre, une canalisation métallique adéquatement mise à la terre ou un circuit électrique adéquatement mis à la terre, par exemple. Ne jamais couper la broche ronde de mise à la terre de la fiche.

8. Si la conduite de refoulement de la pompe est exposée aux températures de congélation extérieures, la partie exposée doit être installée de façon que l'eau restant dans le tuyau puisse se vidanger en retombant par gravité. Si l'on ne respecte pas cette recommandation, l'eau emprisonnée dans la conduite de refoulement risque de geler et la pompe risque d'être endommagée.
9. Après avoir installé le tuyauterie, le clapet antiretour et l'interrupteur à flotteur, la pompe est prête à fonctionner.
10. Avant de tester la pompe, attacher les cordons électriques au tuyau de refoulement de façon à ce qu'ils ne dérangent pas le bon fonctionnement de l'interrupteur flotteur.
11. Vérifier le fonctionnement de la pompe en remplissant le puisard d'eau, puis observer le fonctionnement de la pompe sur un cycle complet. Pour connaître les réglages de l'interrupteur, se reporter au tableau intitulé « Caractéristiques électriques et de commutation ».

**⚠ ATTENTION** **Risque d'inondation.** Peut causer des blessures corporelles et/ou des dommages matériels. Ne pas procéder à cette vérification de fonctionnement risque de causer un mauvais fonctionnement, une panne prématurée, voire une inondation.



## Fonctionnement

**⚠ AVERTISSEMENT** **Risque de secousses électriques.** Peut causer des secousses, des brûlures, voire la mort. Ne pas toucher à la pompe ni au moteur de la pompe lorsqu'on a les mains humides ou lorsqu'on se tient debout sur une surface mouillée, humide ou dans l'eau.

1. Le joint de l'arbre dépend de l'eau pour son graissage. Ne pas utiliser la pompe si elle n'est pas immergée dans l'eau, sinon son joint sera endommagé si la pompe fonctionne à sec.
2. Le moteur est équipé d'un protecteur thermique à réarmement automatique. Si la température devait s'élever anormalement, le disjoncteur interrompra automatiquement l'arrivée de courant avant que le moteur soit endommagé. Lorsque le moteur aura suffisamment refroidi, le disjoncteur se réarmera automatiquement et le moteur redémarrera. Si le

protecteur se déclenche constamment, sortir la pompe du puisard et en déterminer la cause. Une basse tension, des cordons prolongateurs trop longs, un impulseur bouché, une hauteur de refoulement très basse ou un tuyau de refoulement bouché ou gelé, etc. risquent de causer un fonctionnement intermittent.

3. La pompe n'aspire pas toute l'eau. Si on fait fonctionner la pompe manuellement, et que brusquement l'eau ne coule plus par son tuyau de refoulement, arrêter immédiatement la pompe. Le niveau de l'eau est probablement très bas et la pompe s'est désamorcée.

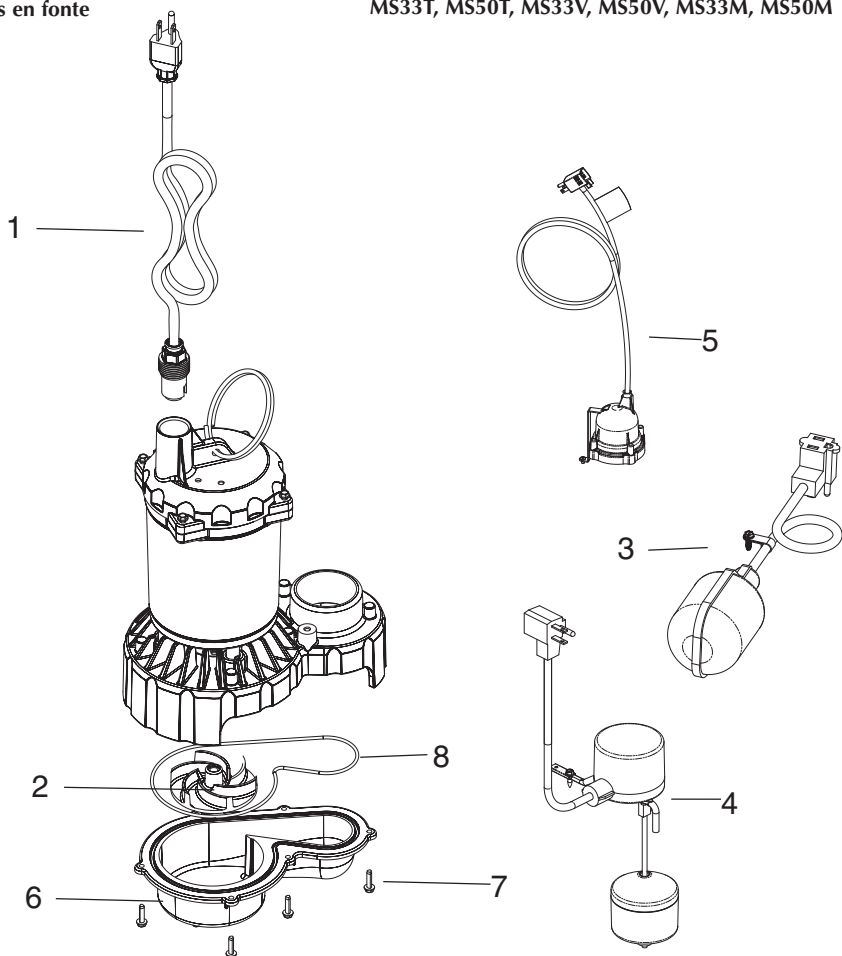
**⚠ AVERTISSEMENT** **Risque de secousses électriques.** Peut causer des secousses, des brûlures, voire la mort. Avant de vérifier pourquoi cette pompe a cessé de fonctionner, interrompre le courant parvenant à la pompe.

## Diagnostic des pannes

Symptôme	Cause(s) probable(s)	Mesure corrective
La pompe ne démarre pas ou ne tourne pas	La pompe n'est pas branchée	S'assurer que la pompe est branchée dans une prise de courant adéquate.
	Fusible grillé	Si le fusible est grillé, remplacer par le calibre qui convient.
	Basse tension de la ligne	Si la tension est au-dessous du minimum recommandé, vérifier la force du câblage provenant de l'interrupteur général de l'habitation. S'il n'y a pas de problème, communiquer avec la compagnie d'électricité ou les services hydro-électriques.
	Moteur défectueux	Remplacer la pompe.
	Interrupteur à flotteur défectueux	Remplacer l'interrupteur à flotteur.
	Roue motrice	Si la roue refuse de tourner, déposer la partie inférieure de la pompe et chercher la cause du blocage.
	Obstruction du flotteur	Dégager l'obstruction du flotteur.
La pompe démarre et s'arrête trop souvent.	Reflux du liquide dans la pompe	Installer un clapet antiretour, ou le remplacer.
	Interrupteur à flotteur défectueux	Remplacer l'interrupteur à flotteur.
La pompe refuse de s'arrêter.	Interrupteur à flotteur défectueux	Remplacer l'interrupteur à flotteur.
	Diminution du reflux (obstruction ou glace dans la tuyauterie)	Déposer la pompe et nettoyer la pompe et la canalisation.
	Obstruction du flotteur	Dégager l'obstruction du flotteur.
	La crépine d'aspiration est obstruée	Déposer la pompe et nettoyer la crépine d'aspiration ainsi que l'impulseur.
La pompe fonctionne mais elle ne délivre pas ou peu d'eau.	Basse tension de la ligne	Si la tension est au-dessous du minimum recommandé, vérifier la force du câblage provenant de l'interrupteur général de l'habitation. S'il n'y a pas de problème, communiquer avec la compagnie d'électricité ou les services hydro-électriques.
	Quelque chose bloque la roue motrice	Démonter la pompe et nettoyer la roue motrice.
	Pièces usées ou défectueuses, ou roue motrice obstruée	Nettoyer la roue motrice si elle est obstruée; autrement, remplacer la pompe.
	Clapet antiretour installé sans orifice de ventilation	Percer un trou de 1,6 à 3,2 mm (de 1/16 à 1/8 po) de diamètre entre le refoulement de la pompe et le clapet antiretour entre 2,5 et 5 cm (1 à 2 po) au-dessus des filets du tuyau de refoulement qui se visse dans le refoulement de la pompe, et sous le niveau de l'eau.
	La crépine d'aspiration est obstruée	Déposer la pompe et nettoyer la crépine d'aspiration.
	Le clapet antiretour est installé à l'envers	S'assurer que le clapet antiretour est installé correctement.

Modèles en fonte

MS33T, MS50T, MS33V, MS50V, MS33M, MS50M



Ref.	1	2	3	4	5	6	7	8
Modèle	Ensemble de cordon d'alimentation	Roue motrice	Interrupteur à flotteur à cordon	Interrupteur à flotteur vertical	Interrupteur à diaphragme	Volute inférieure	Vis n°8 - 32 x 1/2 po (6)	Joint torique - 162 Buna - N 5,75 x 3/32
MS33V10	PW17-281	P55-285		PS117-2126		PS1-326	U30-1047SS	U9-470
MS33V20	PS17-2121	P55-285		PS117-2127				
MS50V10	PW17-281	P55-286		PS117-2126				
MS50V20	PS17-2121	P55-286		PS117-2127				
MS33T10	PW17-281	P55-285	PS17-91					
MS33T20	PS17-2121	P55-285	PS17-93					
MS50T10	PW17-281	P55-286	PS17-91					
MS50T20	PS17-2121	P55-286	PS17-93					
MS33D10	PW17-281	P55-285			149740005-01			
MS33D20	PS17-2121	P55-285			149740015-01			
MS50D10	PW17-281	P55-286			149740005-01			
MS50D20	PS17-2121	P55-286			149740015-01			
MS33M20	PS17-2121	P55-285						
MS50M20	PS17-2121	P55-286						

\*Acheter localement | \*\*Si le moteur tombe en panne, remplacer la pompe.

**Garantie limitée :**

Myers® garantit à l'acheteur initial (« l'acheteur » ou « vous ») des produits figurant ci-dessous qu'ils seront exempts de tout défaut de matériel et de fabrication pour la période de garantie indiquée ci-dessous.

<b>Produit</b>	<b>Période de garantie</b> selon la première éventualité :
Pompes à éjecteur, petites pompes centrifuges, pompes submersibles et accessoires connexes	12 mois à partir de la date de première installation ou 18 mois à partir de la date de fabrication
Réservoirs en fibre enroulée	5 ans à partir de la date de première installation
Réservoirs sous pression en acier	5 ans à partir de la date de première installation
Produits pour puisard/eaux usées/effluents	12 mois à partir de la date de première installation ou 36 mois à partir de la date de fabrication
Unités de batterie de secours MBSP-2, MBSP-2C	12 mois à partir de la date de première installation ou 18 mois à partir de la date de fabrication
MBSP-3, MBSP-3C	24 mois à partir de la date de première installation ou 30 mois à partir de la date de fabrication
Pompes de traitement des matières solides des eaux usées	12 mois à partir de la date d'expédition de l'usine ou 18 mois à partir de la date de fabrication

Notre garantie s'applique uniquement quand ces produits sont utilisés conformément aux exigences du catalogue et/ou des manuels des produits concernés. Pour plus d'information, consultez la garantie limitée standard applicable dans la notice du produit.

Notre garantie ne s'applique pas aux produits qui, à notre seul avis, ont fait l'objet de négligence, d'une mauvaise utilisation, d'une mauvaise installation ou d'un manque d'entretien adéquat. Sans aucune limitation des présentes, l'utilisation d'un moteur triphasé sur un courant monophasé par l'intermédiaire d'un déphaseur annulera la garantie. Il faut également noter que les moteurs triphasés doivent être protégés par un relais de surcharge tripolaire thermocompensé à déclenchement extrêmement rapide du calibre recommandé, sinon la garantie sera annulée.

Votre seul recours et la seule responsabilité de MYERS sont que MYERS répare ou remplace les produits défectueux (au choix de MYERS). Vous vous engagez à payer tous les frais de main-d'œuvre et d'expédition du produit couvert par cette garantie et de vous adresser au concessionnaire-installateur dès qu'un problème est découvert pour obtenir un service sous garantie. Aucune demande de service ne sera acceptée après l'expiration de la période de garantie. Cette garantie n'est pas transférable.

**MYERS NE SERA TENUE RESPONSABLE D'AUCUN DOMMAGE INDIRECT, ACCIDENTEL OU FORTUIT, QUEL QU'IL SOIT.**

LES GARANTIES LIMITÉES SUSMENTIONNÉES SONT EXCLUSIVES ET REMPLACENT TOUTES LES AUTRES GARANTIES EXPRESSES ET TACITES, Y COMPRIS, MAIS SANS S'Y LIMITER, LES GARANTIES TACITES DE QUALITÉ MARCHANDE ET D'ADAPTATION À UN USAGE PARTICULIER. LES GARANTIES LIMITÉES SUSMENTIONNÉES NE DOIVENT PAS ÊTRE PROLONGÉES AU-DELÀ DE LA DURÉE PRÉVUE AUX PRÉSENTES.

Certaines provinces n'autorisent pas d'exclure ou de limiter les dommages fortuits ou indirects ou de limiter la durée d'une garantie implicite; il se peut donc que les limitations ou exclusions ci-dessus ne s'appliquent pas à votre cas. La présente garantie vous donne des droits juridiques spécifiques et vous pouvez en avoir d'autres qui varient d'une province à l'autre.

Cette garantie limitée entre en vigueur le 1<sup>er</sup> avril 2014 et remplace toutes les garanties non datées et les garanties datées avant le 1<sup>er</sup> avril 2014

**F.E. MYERS**

**293 Wright Street, Delavan, WI 53115**

**Téléphone : 888-987-8677 Télécopieur : 800-426-9446 • [www.femyers.com](http://www.femyers.com)**

**Au Canada : 490 chemin Pinebush, unité 4, Cambridge (Ontario) N1T 0A5**

**Téléphone : 800-363-7867 Télécopieur : 888-606-5484**

## Instrucciones importantes sobre la seguridad

**Guarde estas instrucciones** - Este manual contiene instrucciones importantes que se deben seguir durante la instalación, operación y el mantenimiento del producto.

**⚠** Este es un símbolo de alerta sobre la seguridad. Cuando vea este símbolo en su bomba o en este manual, busque para ver si hay alguna de las siguientes palabras de señal y esté alerta a la posibilidad de lesiones personales.

**⚠ PELIGRO** indica un riesgo que, de no evitarse, *provocará* la muerte o lesiones de gravedad.

**⚠ ADVERTENCIA** indica un riesgo que, de no evitarse, *podría* provocar la muerte o lesiones de gravedad.

**⚠ PRECAUCIÓN** indica un riesgo que, de no evitarse, *podría* provocar lesiones leves o moderadas.

**AVISO** hace referencia a una práctica no relacionada con una lesión personal.

Lea y siga cuidadosamente todas las instrucciones de seguridad en este manual y en la bomba.

Mantenga las etiquetas de seguridad en buenas condiciones. Reemplace las etiquetas de seguridad faltantes o dañadas.

### Advertencia de la Proposición 65 de California

**⚠ ADVERTENCIA** Este producto contiene sustancias químicas reconocidas en el Estado de California como causantes de cáncer, malformaciones congénitas y otros daños al sistema reproductivo.

**AVISO** Este aparato no está diseñado como bomba de cascada o fuente, ni para aplicaciones con agua salada o de mar. El uso con cascadas, fuentes, agua salada o de mar anulará la garantía.

No usar en donde hay recirculación de agua.

No ha sido diseñado para usar en de piscinas de natación.

**AVISO** Es importante leer este Manual del Propietario con información sobre la instalación, la operación y la seguridad.

1. Infórmese sobre la aplicación, limitaciones y posibles riesgos de la bomba.
2. No usar en agua en donde haya peces. Si hay una fuga de aceite del motor puede matar a los peces.
3. Desconecte la energía eléctrica antes de efectuar reparaciones.
4. Descargue toda la presión dentro del sistema antes de reparar cualquier componente.
5. Drene toda el agua del sistema antes de efectuar reparaciones.
6. Asegure bien la tubería de descarga antes de poner en

marcha la bomba. Una tubería de descarga que no esté bien segura puede moverse y causar lesiones personales y/o daños materiales.

7. Antes de cada uso, verifique si las mangueras están débiles o gastadas, asegurándose de que todas las conexiones estén firmes.
8. Inspeccione periódicamente el sumidero, la bomba y los componentes del sistema. Manténgala limpia de escombros y objetos extraños. Realice el mantenimiento de rutina como sea necesario.
9. Provea un medio de alivio de la presión para aquellas bombas cuya tubería de descarga puede bloquearse u obstruirse.
10. Tubería Personal:
  - a. Use lentes protectores en todo momento cuando trabaje en la bomba.
  - b. Mantenga el lugar de trabajo limpio, despejado y debidamente iluminado - guarde todas las herramientas y el equipo que no se use.
  - c. Mantenga a los visitantes a una distancia segura del lugar de trabajo.
  - d. Asegúrese de que su taller sea a prueba de niños - con candados, interruptores maestros y sacando las llaves del arrancador.
11. Cuando instale el cableado de una bomba accionada eléctricamente, siga todos los códigos eléctricos y de seguridad que correspondan.
12. Esta bomba solamente se puede usar con corriente de 115 voltios (monofásica) y está provista de un cordón aprobado de 3 conductores y 3 clavijas, del tipo de puesta a tierra.

**⚠ ADVERTENCIA** **Riesgo de choque eléctrico.** Puede provocar choque eléctrico, quemaduras o muerte. No se ha comprobado aún si esta bomba pueda ser usada en albercas. La bomba es suministrada con un conductor de puesta a tierra y un enchufe del tipo de puesta a tierra. Asegúrese de que esté conectada solamente a un tomacorriente con conexión a tierra y debidamente puesto a tierra.

Si el tomacorriente mural es del tipo para 2 clavijas, éste debe ser reemplazado por un tomacorriente de 3 clavijas e instalado de acuerdo con los códigos y reglamentos que correspondan.

## Especificaciones

Fuente de alimentación.....115 V, 60 Hz

Gama de la Temperatura

del Líquido..... 0°-21°C (32°F a 70°F)

Requiere un ramal individual (mínimo).....15 Amps

Tubería de Descarga: .....1-1/2" FNPT

**AVISO** No reduzca el tamaño de la tubería o de la manguera de descarga a un diámetro menor de 1-1/4". Si la descarga es demasiado pequeña, la bomba se recalentará y fallará prematuramente.

Esta bomba ha sido diseñada sólo para uso en sumideros domésticos. Bombee solamente agua con esta bomba.

\* 1/3 HP Performance

## Rendimiento

GPM(LPM) a altura total en pies (m)						Sin flujo a la altura indicada abajo
Serie	HP	5 (1.5m)	10 (3m)	15 (4.6m)	20 (6.1m)	
Capacidad en galones(L)/minuto						25 (7.6)
MS33	1/3*	53	45	36	24	
MS50	1/2	66	56	44	28	

## Especificaciones eléctricas y del interruptor

Serie	HP	Amperios con el motor a plena carga	Requiere un ramal individual (amperios)	Interruptor de tipo automático	Graduaciones del interruptor en pulgadas Nivel del agua para:	
					Encendido	Apagado
MS33V	1/3*	3,9	15A 115 VCA	Interruptor vertical	7-1/2 in.	3 in.
MS50V	1/2	4,1			Interruptor de flotador	14 in.
MS33T	1/3*	3,9		Interruptor de diafragma		9-1/2 in.
MS50T	1/2	4,1			Opción no automática. No incluye interruptor	
MS33D	1/3*	3,9				
MS50D	1/2	4,1				
MS33M	1/3*	3,9				
MS50M	1/2	4,1				

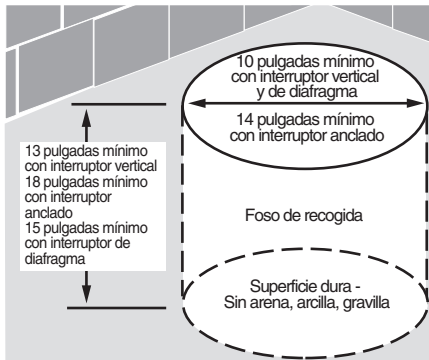
Si el tomacorriente mural es del tipo para 2 clavijas, éste debe ser reemplazado por un tomacorriente de 3 clavijas e instalado de acuerdo a los códigos y reglamentos que correspondan.

13. Todo el cableado debe ser efectuado por un electricista calificado.
14. Asegúrese de que la fuente de alimentación cumpla con los requisitos de su equipo.
15. Proteja el cordón eléctrico contra objetos afilados, superficies calientes, aceite y productos químicos. Evite que se enrede. Reemplace o repare inmediatamente un cordón que esté dañado o gastado.
16. No toque un motor cuando esté funcionando. Los motores pueden funcionar a temperaturas altas.
17. No manipule la bomba o el motor de la bomba con las manos mojadas o cuando esté parado en suelo húmedo o mojado o en el agua.

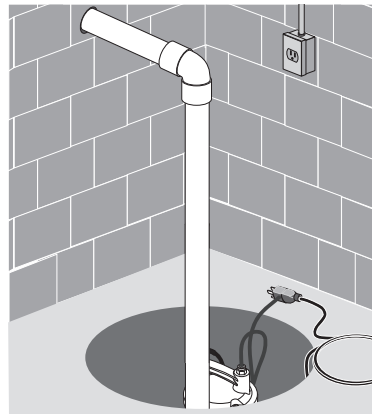
**⚠ ADVERTENCIA Riesgo de choque eléctrico.** Puede provocar choque eléctrico, quemaduras o muerte. Si su sótano tiene agua o humedad en el piso, no camine en el lugar mojado hasta que no haya cortado toda la energía eléctrica. Si la llave de paso está en el sótano, llame a la compañía eléctrica o a la compañía de electricidad para cortar el servicio a su casa o llame al departamento de bomberos de su localidad para solicitar instrucciones. Saque la bomba y repárela o reemplácela. El incumplimiento de esta advertencia puede resultar en un choque eléctrico mortal.

No levante la bomba por medio del cordón de corriente.

## Instalación



1. Instale la bomba en un foso de recogida con un diámetro mínimo de 10" (254 mm.) para los modelos con interruptores verticales y de 14" (356 mm.) para los modelos con interruptor de flotador anclado. La profundidad del sumidero debe ser de 18" (457 mm) para los modelos anclados y de 13" (330 mm) para los modelos con interruptores verticales. Construya el foso de recogida de losetas, hormigón, acero o plástico. Confirme los materiales aprobados y la instalación adecuada requeridos por las normas locales.
2. Instale la bomba en el pozo de manera que el mecanismo de operación del interruptor tenga el mayor juego posible.
3. La bomba no debe ser instalada en arcilla, tierra o superficies arenosas. Limpie y saque las piedritas y grava del foso de recogida que puedan obstruir la bomba. Mantenga limpio el filtro de admisión de la bomba.



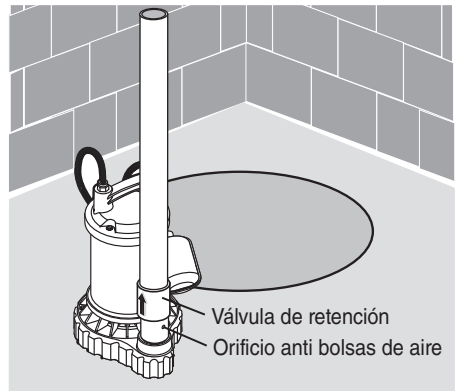
**AVISO** No use obturador de juntas de tubería en las tuberías de plástico. El obturador de juntas de tubería puede dañar el plástico.

4. Instale la tubería de descarga. Use tuberías de plástico rígido y envuelva las roscas con cinta sellante de PTFE para roscas de tubería. Enrosque la tubería en la bomba a mano, y después apriétela 1-1/2 vueltas.

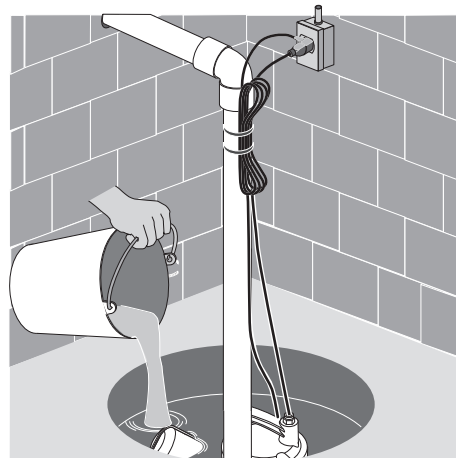
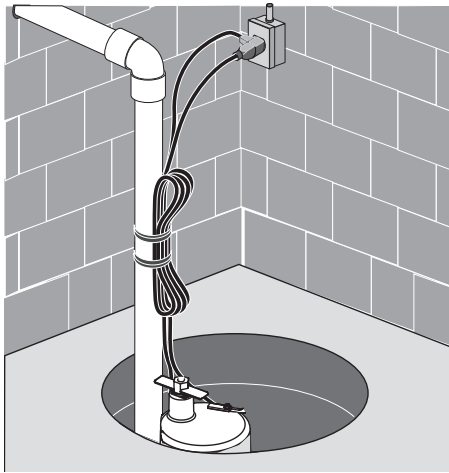
**⚠ PRECAUCIÓN Riesgo de inundación.** Puede provocar lesiones personales y/o daños materiales. Si se utiliza una manguera flexible de descarga, asegúrese de que la bomba esté bien fijada y no se pueda mover dentro del sumidero. Si no se fija la bomba debidamente, ésta se podrá mover, interfiriendo con el interruptor, lo cual impedirá que la bomba se encienda o se apague.

5. Para reducir el ruido y las vibraciones del motor, se puede conectar un pedazo corto de manguera de caucho de un diámetro exterior de 47,6 mm (1 7/8"), (por ej. manguera de radiador) a la tubería de descarga cerca de la bomba, utilizando abrazaderas adecuadas.
6. Instale una válvula de retención en la línea o una válvula de retención dentro de la bomba para evitar que el flujo retroceda a través de la bomba cuando la bomba está apagada.

**AVISO** Si su válvula de retención no viene equipada con un orificio de purga de aire para impedir la creación de bolsas de aire en la bomba, perforo un orificio de 1/8" (3.2 mm) en la tubería de descarga, justo por encima del punto en que la tubería de descarga se atornilla a la descarga de la bomba. Verifique que el orificio quede debajo de la línea de agua y de la válvula de retención para impedir la creación de bolsas de aire.



7. Fuente de Alimentación: La bomba está diseñada para funcionar con corriente de 115 V., 60 Hz. y requiere un ramal individual mínimo de 15 amps. Tanto la bomba como el interruptor vienen con juegos de cordones de 3 conductores con enchufes del tipo de puesta a tierra. El enchufe del interruptor se enchufa directamente en el tomacorriente y el enchufe de la bomba se enchufa en el extremo opuesto del enchufe del interruptor.



**⚠️ ADVERTENCIA Riesgo de choque eléctrico.** Puede provocar choque, quemadura o muerte. Siempre conecte la bomba a tierra por medio de una masa eléctrica adecuada, como una tubería de agua conectada a tierra, una canalización metálica debidamente conectada a tierra, o un sistema de cable a tierra. No corte la clavija redonda de conexión a tierra.

8. Si la tubería de descarga de la bomba está expuesta a temperaturas exteriores inferiores al punto de congelación, la porción expuesta de la tubería debe ser instalada de manera que toda el agua que quede en la tubería se drene por gravedad hacia la descarga. El incumplimiento de esto puede hacer que el agua atrapada en la tubería de descarga se congele, lo cual podría resultar en daño para la bomba.
9. Después de haber instalado la tubería, la válvula de retención y el interruptor a flotador, la unidad está lista para funcionar.
10. Antes de hacer una prueba de la unidad, fije los cordones eléctricos a la tubería de descarga para que no interfieran con el funcionamiento correcto del interruptor de flotador.
11. Verifique el funcionamiento de la bomba llenando el sumidero con agua y observando el funcionamiento de la bomba por un ciclo completo. Para las graduaciones del interruptor, consulte el gráfico de "Especificaciones Eléctricas y del Interruptor".

**⚠️ PRECAUCIÓN Riesgo de inundación.** Puede provocar lesiones personales y/o daños materiales. Si no se realiza esta inspección del funcionamiento, existe el riesgo de un funcionamiento inadecuado, fallas prematuras e inundación.



## Operación

**⚠️ ADVERTENCIA** **Riesgo de choque eléctrico.** Puede causar choque eléctrico, quemaduras o muerte. No manipule la bomba ni el motor de la bomba con las manos mojadas o cuando esté parado en suelo húmedo, mojado o en el agua.

1. La junta del eje depende del agua para su lubricación. No haga funcionar la bomba a menos que esté sumergida en agua ya que la junta puede dañarse si se permite que trabaje en seco.
2. El motor está equipado con un protector contra sobrecargas térmicas de reposición automática. Si la temperatura en el motor se eleva indebidamente, el interruptor puede cortar toda la energía antes de que se produzca daño al motor. Cuando el motor se haya enfriado suficientemente,

el interruptor se repositonará automáticamente y el motor volverá a ponerse en marcha. Si el protector se activa repetidamente, será necesario sacar la bomba y revisarla para verificar cuál es el problema. Baja tensión, cables de alargue largos, impulsor atascado, muy baja altura de aspiración o elevación o una tubería de descarga tapada o congelada, etc. pueden hacer que la bomba pase por el ciclo continuamente.

3. La bomba no removerá toda el agua. Si se está operando la bomba en forma manual y de repente no sale agua de la manguera de descarga, apague la unidad inmediatamente. Probablemente el nivel del agua es muy bajo y la unidad ha dejado de cebar.

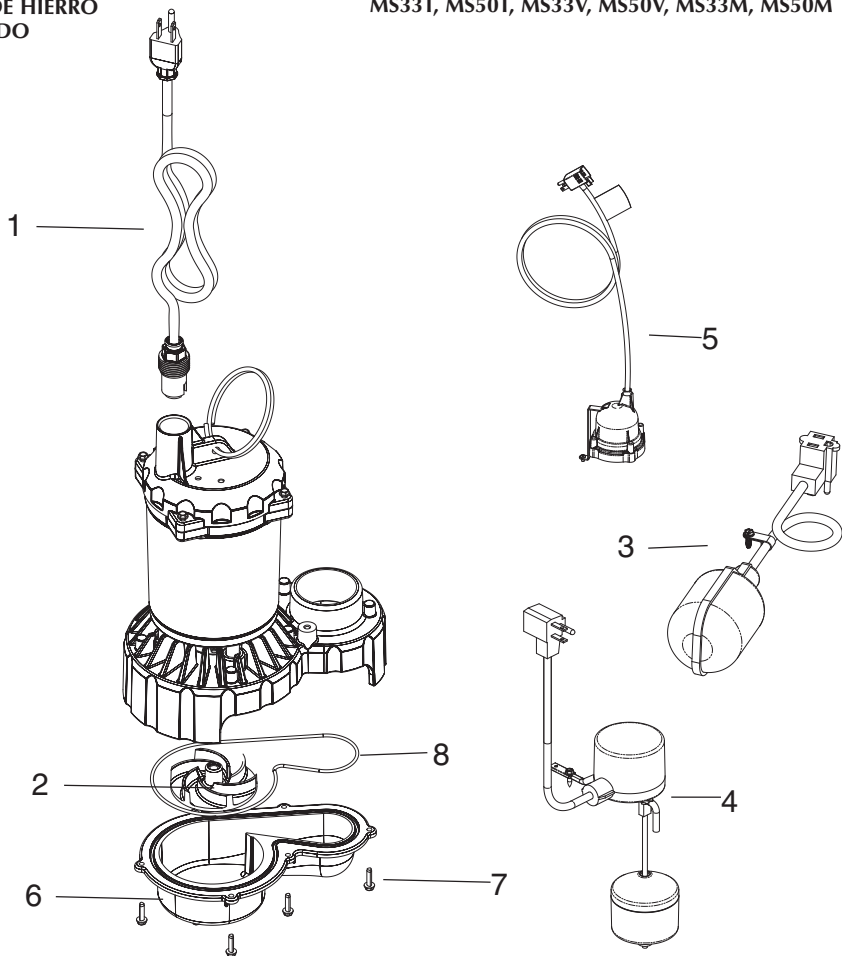
**⚠️ ADVERTENCIA** **Riesgo de choque eléctrico.** Puede causar quemaduras o muerte. Antes de intentar revisar por qué la bomba ha dejado de funcionar, desconecte la Energía Eléctrica.

## Localización de fallas

Síntoma	Causa(s) probable(s)	Medida Correctiva
La bomba no arranca ni funciona	La bomba no está enchufada	Verifique que la bomba esté enchufada en un tomacorriente adecuado.
	Fusible quemado	Si el fusible está quemado, sustitúyalo por un fusible de la capacidad correcta.
	El voltaje de línea es demasiado bajo	Si el voltaje está por debajo del mínimo recomendado verifique “el tamaño del cableado desde el interruptor principal en la propiedad.” Si es el correcto, comuníquese con la empresa de electricidad o la compañía hidroeléctrica.
	El motor está defectuoso	Reemplace la bomba.
	El interruptor de flotador está defectuoso	Reemplace el interruptor de flotador.
	Impulsor	Si el impulsor no gira, saque el cuerpo inferior de la bomba y ubique el origen del atascamiento.
La bomba se pone en marcha y se detiene con demasiada frecuencia	El flotador esta obstruido	Elimine las obstrucciones.
	Retroflujo de agua desde la tubería	Instale o remplace la válvula de retención.
La bomba no se apaga	El interruptor de flotador está defectuoso	Reemplace el interruptor de flotador
	Descarga reducida (obstáculos o hielo en las tuberías)	Retire la bomba y limpie la bomba y la tubería.
	El flotador esta obstruido	Elimine las obstrucciones.
	Filtro de admisión restringido	Saque la bomba y limpie el filtro de admisión y el impulsor.
La bomba funciona pero el caudal es reducido o nulo	El voltaje de línea es baja	Si el voltaje está por debajo del mínimo recomendado verifique el tamaño del cableado desde el interruptor principal en la propiedad. Si es el correcto, comuníquese con la empresa de electricidad o la compañía hidroeléctrica.
	Algo se ha quedado trabado en el impulsor	Saque la bomba y limpie el impulsor
	Piezas gastadas o defectuosas o impulsor obstruido	Limpie el impulsor si está obstruido; de lo contrario, reemplace la bomba.
	Válvula de retención instalada sin el orificio de purga	Perfore un agujero de 1/16 a 1/8 pulg. (1,6 a 2 mm) de diámetro entre la descarga de la bomba y la válvula de retención (1-2” por encima del punto en que la tubería de descarga se atornilla a la descarga de la bomba y por debajo de la línea de agua).
	Filtro de admisión restringido	Saque la bomba y limpie el filtro de admisión.
	Verifique que la válvula no esté instalada hacia atrás o invertida.	Asegúrese de que la válvula de retención esté debidamente instalada.

SERIE DE HIERRO  
FUNDIDO

MS33T, MS50T, MS33V, MS50V, MS33M, MS50M



Ref.	1	2	3	4	5	6	7	8
Modelo #	Unidad de cordón eléctrico	Impulsor	Interruptor de flotador anclado	Interruptor de flotador vertical	Interruptor de diafragma	Voluta inferior	Tornillo #8-32 x 1/2" (6 piezas)	Aro tórico - 162 Buna - N 5.75 x 3/32
MS33V10	PW17-281	P55-285		PS117-2126		PS1-326	U30-1047SS	U9-470
MS33V20	PS17-2121	P55-285		PS117-2127				
MS50V10	PW17-281	P55-286		PS117-2126				
MS50V20	PS17-2121	P55-286		PS117-2127				
MS33T10	PW17-281	P55-285	PS17-91					
MS33T20	PS17-2121	P55-285	PS17-93					
MS50T10	PW17-281	P55-286	PS17-91					
MS50T20	PS17-2121	P55-286	PS17-93					
MS33D10	PW17-281	P55-285			149740005-01			
MS33D20	PS17-2121	P55-285			149740015-01			
MS50D10	PW17-281	P55-286			149740005-01			
MS50D20	PS17-2121	P55-286			149740015-01			
MS33M20	PS17-2121	P55-285						
MS50M20	PS17-2121	P55-286						

\*Adquirir a nivel local | \*\*Si falla el motor, reemplazar toda la bomba

**Garantía Limitada**

Myers® le garantiza al consumidor inicial (“Comprador” o “Usted”) de los productos indicados a continuación, que éstos estarán libres de defectos en materiales y en mano de obra durante el Período de Garantía especificado a continuación.

<b>Producto</b>	<b>Período de garantía lo que ocurra primero:</b>
Bombas de chorro, pequeñas bombas centrífugas, bombas sumergibles y accesorios asociados	12 meses desde la fecha de la instalación inicial, o 18 meses desde la fecha de fabricación
Tanques de devanado de fibra	5 años desde la fecha de la instalación inicial
Tanques a presión de acero	5 años desde la fecha de la instalación inicial
Productos para sumideros/aguas residuales/efluente	12 meses desde la fecha de la instalación inicial, o 36 meses desde la fecha de fabricación
Unidades de batería de refuerzo MBSP-2, MBSP-2C	12 meses desde la fecha de la instalación inicial, o 18 meses desde la fecha de fabricación
MBSP-3, MBSP-3C	24 meses desde la fecha de la instalación inicial, o 30 meses desde la fecha de fabricación
Bombas procesadoras de sólidos de aguas residuales	12 meses desde la fecha de envío de la fábrica, o 18 meses desde la fecha de fabricación

Nuestra garantía se aplica solamente en los casos en que tales productos se utilicen conforme a los requerimientos del catálogo del producto y/o de los manuales correspondientes. Por información adicional, se deberá consultar la garantía limitada estándar correspondiente que aparece en el manual del producto.

Nuestra garantía no se aplicará a ningún producto que, a nuestro solo juicio, haya sido sometido a negligencia, mal uso, instalación o mantenimiento inadecuados. Sin perjuicio a lo que antecede, nuestra garantía quedará anulada en el caso en que un motor trifásico se haya usado con una fuente de alimentación monofásica, a través de un convertidor de fase. Es importante indicar que la garantía quedará anulada si los motores trifásicos no están protegidos por relés de sobrecarga de disparo extra-rápido, con compensación ambiental de tres etapas, del tamaño recomendado.

Su único recurso, y la única obligación de MYERS es la de reparar o reemplazar los productos defectuosos (a juicio de MYERS). Usted deberá pagar todos los cargos de mano de obra y de envío asociados a esta garantía y deberá solicitar el servicio bajo garantía a través del concesionario instalador tan pronto como se descubra un problema. No se aceptará ninguna solicitud de servicio bajo garantía que se reciba después del vencimiento del Período de Garantía. Esta garantía no es transferible.

**MYERS NO SE HARÁ RESPONSABLE DE NINGÚN DAÑO CONSECUENTE, INCIDENTAL O CONTINGENTE.**

**LAS GARANTÍAS LIMITADAS QUE ANTECEDEN SON EXCLUSIVAS Y EN LUGAR DE TODA OTRA GARANTÍA EXPLÍCITA O IMPLÍCITA, INCLUYENDO, PERO SIN LIMITARSE, A LAS GARANTÍAS IMPLÍCITAS DE COMERCIABILIDAD E IDONEIDAD PARA UN FIN ESPECÍFICO, LAS GARANTÍAS LIMITADAS QUE ANTECEDEN NO SE EXTENDERÁN MÁS ALLÁ DEL PERÍODO DE GARANTÍA INDICADO EN LA PRESENTE.**

Ciertos estados no permiten la exclusión o limitación de daños incidentales o consecuentes o la aplicación de limitaciones en la duración de garantías implícitas, de modo que es posible que las limitaciones o exclusiones que preceden no correspondan en su caso. Esta garantía le otorga derechos legales específicos, y es posible que Usted tenga otros derechos que pueden variar de un estado al otro.

Esta Garantía Limitada entra en vigor a partir del 1 de abril de 2014 y reemplaza toda otra garantía sin fecha o con fecha anterior al 1 de abril de 2014.

**F.E. MYERS**

**293 Wright St., Delavan, WI 53115**

**Teléfono: 888-987-8677 – Fax: 800-426-9446 – [www.fenmyers.com](http://www.fenmyers.com)**

**En Canadá: 490 Pinebush Road, Unit 4, Cambridge, Ontario N1T 0A5**

**Teléfono: 800-363-7867 – Fax: 888-606-5484**

