

# RV PRODUCT DATA SHEET

**OEM: 4009-101-A32**

**AFTERMARKET: 4009-101-B32**

**APPLICATION**

Multi-fixture RV adjustable by-pass fresh water pump installation. Other uses may include 12V DC pressurized water systems in cabins. This pump may be used for general fresh water transfer.

**PUMP:**

Type: 4 Chamber Diaphragm pump  
 Ports: 1/2"-14 NPSM-Male.  
 Liquid: 54 °C [130 °F] Max  
 Dry-Prime: 1.82 M [6 feet]  
 Inlet PSI: 2.0 Bar Max [30 PSI]  
 Run Dry: Yes

**ELECTRICAL:**

Motor: 12VDC Permanent Magnet, Intermittent Duty  
 Protection: Thermal Overload, Automatic Restart  
 Leads: 16 AWG, 25 cm [10"] Red +, 33 cm [13"] Black -  
 Fuse: 5 Amp Recommended  
 Control: Shut-Off 1.37 Bar [20 PSI]  
 Restart 0.82 Bar [12 PSI]  
 Max By-Pass 1.7 Bar [25 PSI]

**MATERIALS:**

Housing: Polypro  
 Valves: EPDM  
 Diaphragm: Santoprene  
 Hardware: Stainless and Zinc Plated Steel

**APPROVALS:**

CSA, CE, e-Mark

**WARRANTY:**

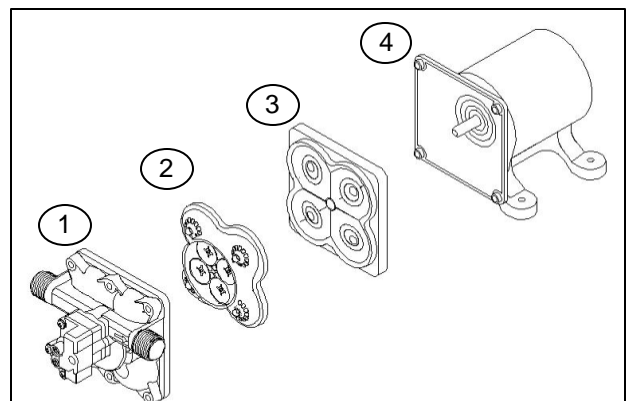
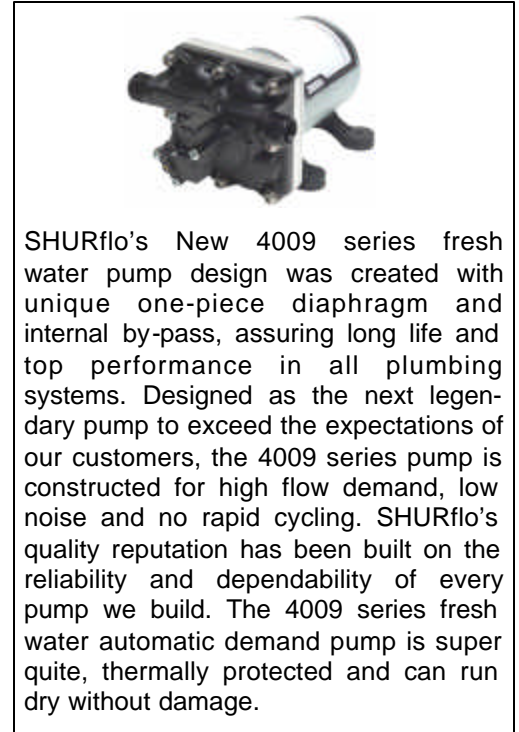
Contact SHURflo Europe for details

**SHIPPING:**

Net Weight: 2.3 Kg [5 Lb] each  
 Carton Quantity: 12  
 Carton Weight: 27 Kg [60 Lb]  
 Carton Size: 60.9 cm x 45.7 cm x 27.9 cm  
 [24"L x 18"W x 11"H]

**RELATED DOCUMENTS:**

Catalog: MS-030-138  
 Installation Manual: 911-1023  
 Applications Spec Guide: MS-020-005

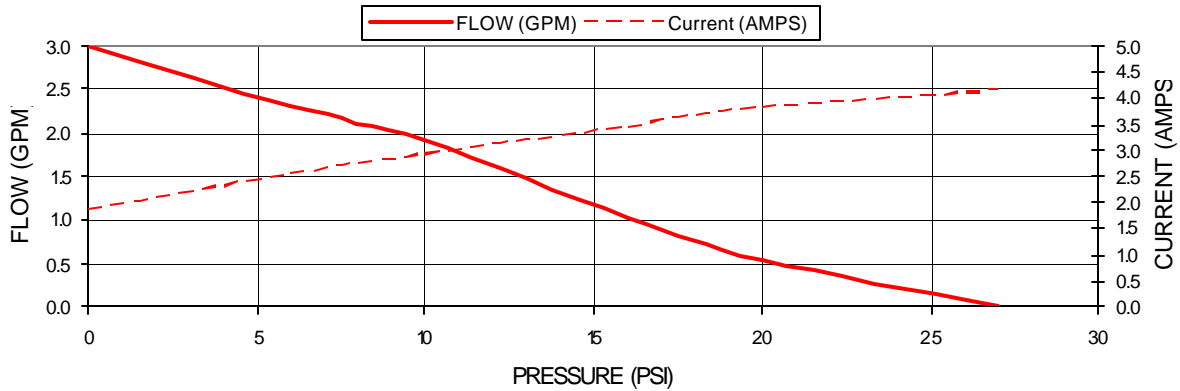


**Replacement Kits**

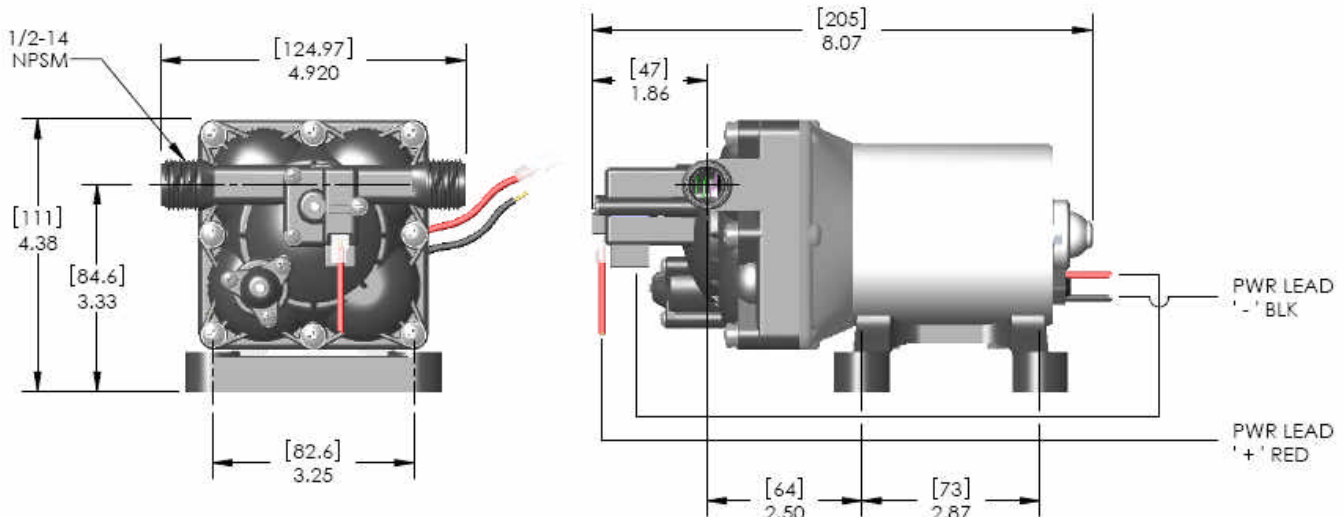
Number	Description	Part Number
1	Upper Assy	94-890-07
2	Valve Assy	94-800-01
3	Drive Assy	94-800-02
4	Motor	94-11-302-00CE
Not Shown	Check Valve	94-800-03
1,2,3	Pump Head	94-890-05
Not Shown	Pressure Sw.	94-890-00

### TYPICAL PERFORMANCE

PRESSURE		FLOW		CURRENT
BAR	PSI	GPM	LPM	AMPS
0.0	0	3.0	11.3	1.85
0.4	6	2.30	8.70	2.54
0.7	10	1.93	7.30	2.92
1.1	16	1.03	3.89	3.44
1.4	20	0.54	2.04	3.80
1.9	27	0.00	0.00	4.14



### DIMENSIONS [mm]



Visit our Web Site at <http://www.shurflo.com>

*Shurflo reserves the right to update specifications, change prices, or make substitutions without notice.*

**SHURflo Europe, Middle East, Africa**  
**Pentair Water Belgium bvba**  
 Industriepark Wolfstee, Toekomstlann 30  
 B-2200 Herentals, Belgium  
 Phone + 32-14-283500 Fax + 32-14-283505



**SHURflo®**



**Pentair Water**  
 FLOW TECHNOLOGIES GROUP