

RV PRODUCT DATA SHEET

OEM: 4009-131-A54

AFTERMARKET: 4009-131-B54

APPLICATION

Multi-fixture RV adjustable by-pass fresh water pump installation. Other uses may include 24V DC pressurized water systems in cabins. This pump may be used for general fresh water transfer.

PUMP:

Type: 4 Chamber Diaphragm pump
 Ports: 1/2"-14 NPSM-Male.
 Liquid: 54 °C [130 °F] Max
 Dry-Prime: 1.82 M [6 feet]
 Inlet PSI: 2.0 Bar [30 PSI] Max
 Run Dry: Yes

ELECTRICAL:

Motor: 24VDC Permanent Magnet, Intermittent Duty
 Protection: Thermal Overload, Automatic Restart
 Leads: 16 AWG, 25 cm [10"] Red +, 33 cm [13"] Black -
 Fuse: 5 Amp Recommended
 Control: Shut-Off 2.06 Bar [30 PSI]
 Restart 1.37 Bar [20 PSI]
 Max By-Pass 2.4 Bar [35 PSI]

MATERIALS:

Housing: Polypro
 Valves: EPDM
 Diaphragm: Santoprene
 Hardware: Stainless and Zinc Plated Steel

APPROVALS:

CSA, CE, e-Mark

WARRANTY:

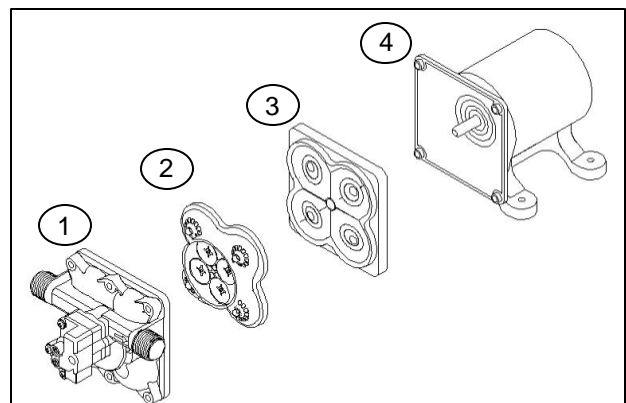
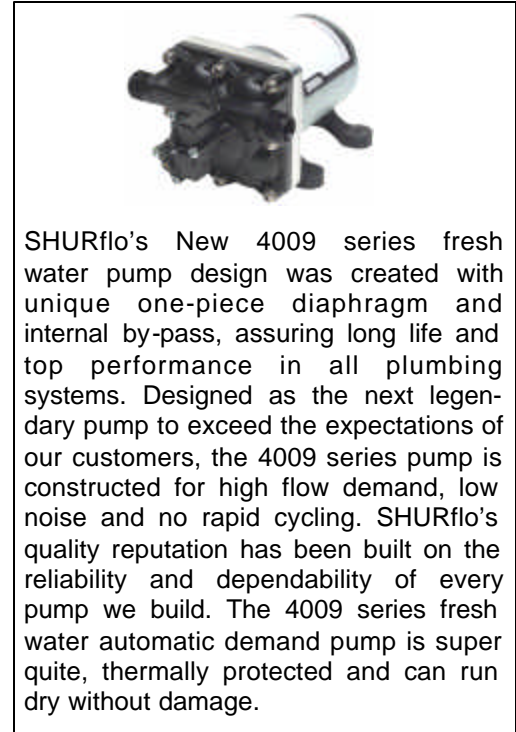
Contact SHURflo Europe for details

SHIPPING:

Net Weight: 2.3 Kg [5 Lb] each
 Carton Quantity: 12
 Carton Weight: 27 Kg [60 Lb]
 Carton Size: 60.9cm x 45.7cm x 27.9cm
 [24"L x 18"W x 11"H]

RELATED DOCUMENTS:

Catalog: MS-030-138
 Installation Manual: 911-1023
 Applications Spec Guide: MS-020-005

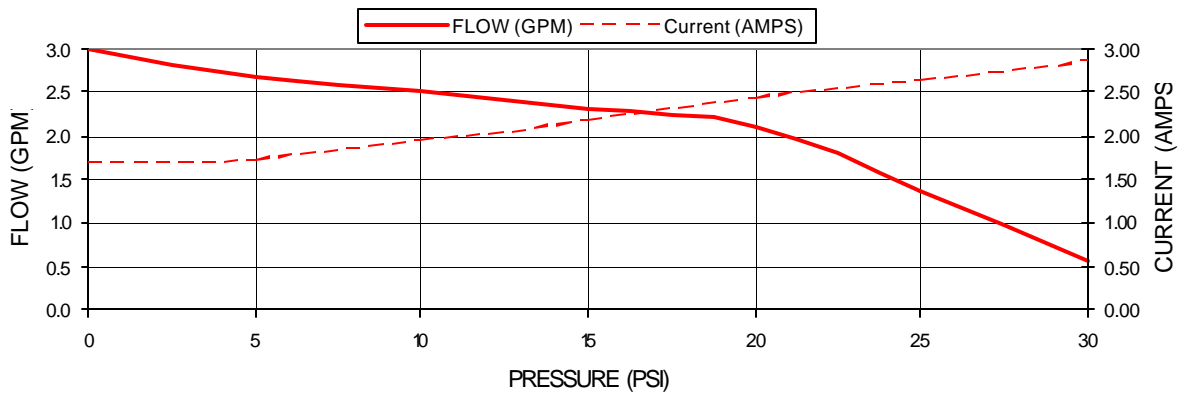


Replacement Kits

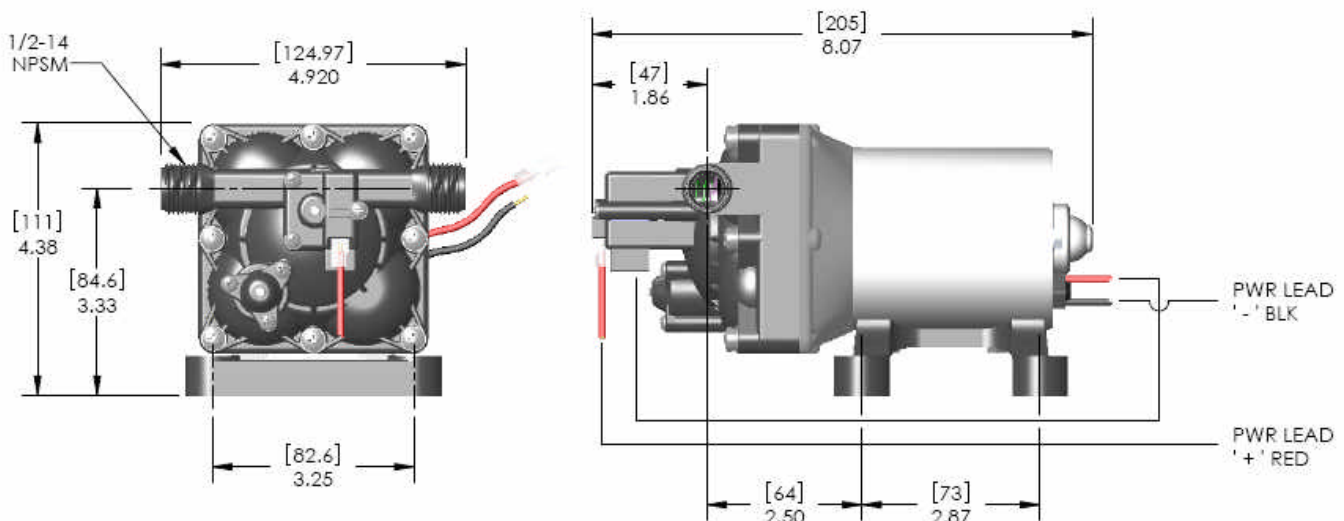
Number	Description	Part Number
1	Upper Assy	94-890-09
2	Valve Assy	94-800-01
3	Drive Assy	94-800-02
4	Motor	94-11-303-00
Not Shown	Check Valve	94-800-03
1,2,3	Pump Head	94-890-04
Not Shown	Pressure Sw.	94-890-01

TYPICAL PERFORMANCE

PRESSURE		FLOW		CURRENT
BAR	PSI	GPM	LPM	AMPS
0.0	0	3.0	11.3	1.70
0.3	5	2.67	10.1	1.73
0.7	10	2.50	9.46	1.94
1.0	15	2.32	8.78	2.17
1.4	20	2.12	8.02	2.43
1.7	25	1.37	5.18	2.64
2.0	30	0.56	2.11	2.86



DIMENSIONS [mm]



Visit our Web Site at <http://www.shurflo.com>

Shurflo reserves the right to update specifications, change prices, or make substitutions without notice.

SHURflo Europe, Middle East, Africa
Pentair Water Belgium bvba
 Industriepark Wolfstee, Toekomstlann 30
 B-2200 Herentals, Belgium
 Phone + 32-14-283500 Fax + 32-14-283505



SHURflo®



**Pentair
 Water**
 FLOW TECHNOLOGIES GROUP