



INDUSTRIAL SERIES 2088 PUMPS

ENGLISH: 1-8 • FRANCAIS: 9-16

INSTALLATION AND OPERATION MANUAL

pentair.com

©2021 Pentair. All Rights Reserved.


911-396 (09-01-2021)


TABLE OF CONTENTS

Safety Information.....	3
Installation And Operation.....	4
Troubleshooting.....	6
Service Kits.....	7
Return Policy.....	8
Warranty.....	8


SAFETY INFORMATION

This manual contains important instructions that should be followed during installation, operation, and maintenance of the product.

 This is the safety alert symbol. When you see this symbol on your pump or in this manual, look for one of the following signal words and be alert to the potential for personal injury!


 **DANGER** indicates a hazard which, if not avoided, will result in death or serious injury.

 **WARNING** indicates a hazard which, if not avoided, can result in death or serious injury.

 **CAUTION** indicates a hazard which, if not avoided, can or may result in minor or moderate injury.

NOTE: addresses practices not related to personal injury.

CALIFORNIA PROPOSITION 65 WARNING

 **WARNING** This product and related accessories contain chemicals known to the State of California to cause cancer, birth defects or other reproductive harm.

GENERAL CAUTION STATEMENTS

Carefully read and follow all safety instructions in this manual and on pumps. Keep safety labels in good condition. Replace missing or damaged safety labels.

- ◆ "Intermittent Duty" is defined as; operated and/or frequently started within a period of time that would cause the motor to reach its maximum thermal limits. Once the maximum thermal limit is obtained, the motor must be allowed to return to ambient temperature before resuming operation.
- ◆ **DO NOT** use to pump flammable liquids. Never operate the pump in an explosive environment. Arcing from the motor brushes, switch or excessive heat from an improperly cycled motor may cause an explosion.
- ◆ **DO NOT** assume fluid compatibility. If the fluid is improperly matched to the pumps' elastomers, a leak may occur. Pumps used to transfer hazardous or hot (max. temperature 170°F [76°C] Viton® only) chemicals must be in a vented area to guard against the possibility of injury due to harmful or explosive liquid/vapors.

- ◆ **DO NOT** operate the pump at pressures which cause the motor to exceed the ampere rating indicated on the name plate. Various pump models are equipped with thermal breakers to interrupt operation due to excessive heat. Once the temperature of the motor is within proper limits it will automatically reset, and the pump will start operation without warning.
- ◆ To prevent electrical shock, disconnect power before initiating any work. In the case of pump failure, the motor housing and/or the pumped fluid may carry high voltage to components normally considered safe.
- ◆ Improper adjustment of the pressure switch may cause severe overload or premature failure. Refer to SHURflo Service Bulletin #1031 for the adjustment procedure. Failures due to improper adjustment of the pressure switch will not be covered under the limited warranty.
- ◆ **DO NOT** locate the motor near low temperature plastics or combustible materials. The surface temperature of the motor may exceed 250° F [120° C].
- ◆ Electrical wiring should be performed by a qualified electrician, in accordance with all local electrical codes.
- ◆ All 115 VAC and 230 VAC pump motors and systems, **MUST** be grounded per local and state electrical codes.

INSTALLATION AND OPERATION

SHURflo offers various pumps models for different applications. The information outlined by this manual is general, and not specific to all 2088 series pumps. Be certain the pumps' materials will be compatible with the fluid being pumped. 2088 series pumps are intended for intermittent or continuous duty when the proper operating criteria are met.

Product Data Sheets outlining specific thermal limits, load, flow curves, and other technical information for a particular model are available. If unsure of the chemical compatibility with a given elastomer or the motors intended design, please call SHURflo for assistance.

PRESSURE SWITCH OPERATION

The pressure switch reacts to outlet pressure, and interrupts power at the preset shut-off pressure indicated on the pump label. When outlet pressure drops below a predetermined limit (typically 15-20 psi.1-1.4 bar less than the shut-off pressure), the switch will close and the pump will operate until the shut-off (high) pressure is achieved. The shut-off pressure is set to factory calibrated standards. See the motor label and Product Data Sheet for specific pump specifications.

If the plumbing is restrictive or the flow rate is very low, the pump may re-pressurize the outlet faster than the fluid is being released causing rapid cycling (ON/OFF WITHIN 2 seconds). If the pump is subjected to rapid cycling during normal operation, or for infrequent periods, damage may occur. Applications which exhibit rapid cycling should have restrictions in the outlet minimized. If not feasible, consider a SHURflo Accumulator or a SHURflo "bypass" model pump.

BYPASS OPERATION

A bypass pump may be used for applications that normally induce frequent start/stop of the motor, and thereby create a potential for overheating. Models equipped with an internal bypass are designed to pump at high pressure while at low flow rates. Bypass models equipped with a switch may operate for several seconds even though the outlet side has been closed off. Contact SHURflo for information regarding bypass pumps

MOUNTING

The 2088 series pumps are self-priming. Horizontal and vertical prime vary depending on the fluid viscosity and pump configuration.

The pump should be located in an area that is dry and provides adequate ventilation. If mounted within an enclosure, provisions to cool the motor may be necessary. Heat sinks which attach to the motor are available from SHURflo if increased heat dissipation is necessary.

The pump may be mounted in any position. However, if mounting the pump vertically the pump head should be in the down position so that in the event of a leak, fluid will not enter the motor. Secure the rubber feet with #8 hardware. DO NOT compress the feet, doing so will reduce their ability to isolate vibration/noise.

PLUMBING

Flexible high pressure tubing compatible with the fluid should be used to connect the inlet/outlet ports. Tubing should be either 3/8" or 1/2" [10 or 13 mm] I.D., and at least 18 in. [46 cm] length is suggested to minimize stress on the fitting/ports and reduce noise. Allow for the shortest possible tubing route and avoid sharp bends that may kink over time.

NOTE: Restrictions on the inlet may cause vacuum levels to reach the fluid vapor pressure, causing cavitation, degassing, vapor lock and a loss in performance. Inlet pressure must not exceed 30 psi. [2.1 bar] maximum.

1/2" Male threaded models: Are intended to be used with SHURflo Swivel Barb Fittings which seal with an internal taper when hand tightened. Standard 1/2" NPT fittings may be used when tightened to a maximum torque of 3.7 ft.\Lb. (45 in\Lb.) [5 Nm].

NOTE: SHURflo does not recommend the use of metal fittings or rigid pipe to plumb the inlet/outlet ports. Standard plastic male and female threaded fittings can be acquired at commercial plumbing supply stores. SHURflo also distributes Swivel Barb Fittings, and special fitting through its dealers.

Sealers and Teflon tape may act as lubricant causing cracked housings or stripped threads due to over-tightening. Care should be used when applying sealers. Sealers may enter the pump inhibiting valve action, causing no prime or no shut-off. A failure due to foreign debris is not covered under warranty. Installation of a 50 mesh strainer is recommended to prevent foreign debris from entering the pump.

If a check valve is installed in the plumbing, it must have a cracking pressure of no more than 2 psi [.14 bar].

INSTALLATION AND OPERATION

ELECTRICAL

Electrical wiring should be performed by a qualified electrician, in accordance with all local electrical codes.

The pump should be on a dedicated (individual) circuit, controlled with a double pole switch (U.L./C-UL certified) rated at or above the fuse ampere indicated by the pump motor label. Depending on distance of the power source from the pump and ampere load on the circuit, wire may need to be heavier than indicated by the chart.

All 115 VAC and 230 VAC pump motors and systems MUST be grounded per local and state electrical codes.

Improper duty cycle and/or rapid start & stop conditions may cause the internal thermal breaker (if equipped) to trip, or can result in premature motor failure due to excessive heat. Refer to the pumps Product Data Sheet.

For the pump to meet U.L./C-UL requirements the circuit MUST be protected with a slow-blow fuse (U.L./C-UL certified) or equivalent circuit breaker as indicated on the motor label. Use an approved wire of the size specified or heavier.

⚠ CAUTION Circuit protection is dependent on the individual application requirements. Failure to provide proper overload / thermal devices may result in a motor failure, which will not be covered under warranty.

VOLTAGE	WIRE LEADS	WIRE SIZE	FUSE RATING
12 DC			
24 DC	RED (positive +) BLACK (negative -)	#14 AWG [2.5 Mm ²] (or heavier)	
36 DC			
115 AC	BLACK (common) WHITE (neutral) GREEN (ground)	#16 AWG [1 Mm ²] C-UL - TEW / UL 1015	SEE PUMP MOTOR LABEL
230 AC	BROWN (common) BLUE (neutral) GRN/YELL (ground)	[1 Mm ²] C-UL - TEW / UL 1015	

TROUBLESHOOTING

TROUBLESHOOTING

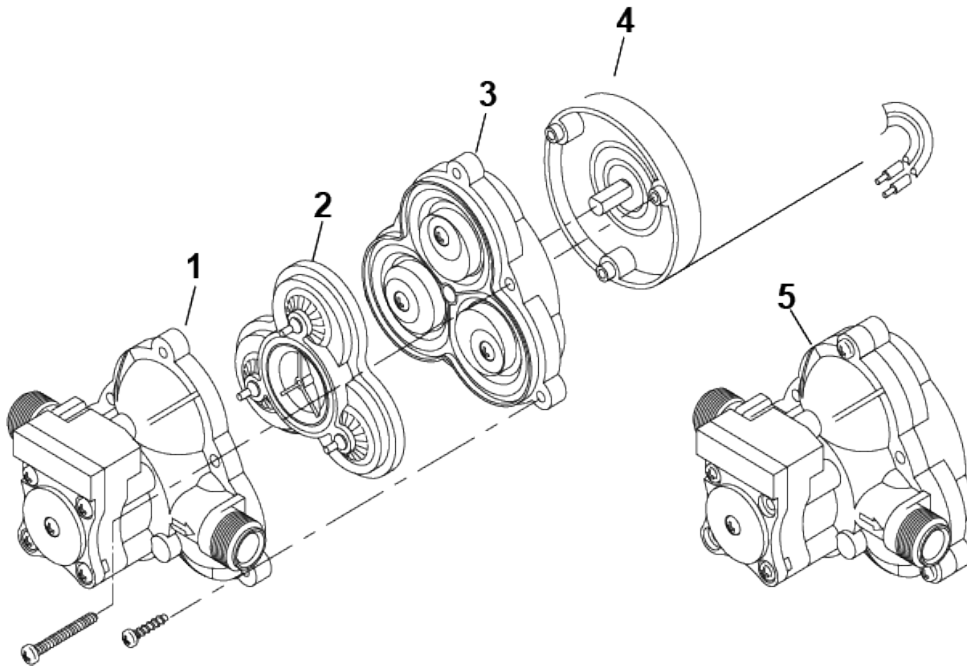
Symptom	Corrective Action
Pump will not start.	Fuse or breaker.
	For correct voltage ($\pm 10\%$) and electrical connections.
	Pressure switch operation and correct voltage.
	Pressure switch operation and correct voltage.
	For locked drive assembly.
Will not prime (no discharge/motor runs).	Internal thermal breaker (if equipped) tripped [Motor Hot].
	Out of product.
	Strainer for debris.
	Inlet tubing/plumbing for severe vacuum leak.
	Inlet/Outlet tubing severely restricted (kinked).
Leaks from pump head or switch.	Debris in pump inlet/outlet valves.
	Proper voltage with the pump operating ($\pm 10\%$).
	Pump housing for cracks.
	For loose screws at switch or pump head.
	Switch diaphragm ruptured or pinched
Pump will not shut off (Pressure switch equipped)	For punctured diaphragm if fluid is present at bottom drain.
	Output line closed and no leaks.
	For air trapped in outlet line or pump head.
	For correct voltage to pump ($\pm 10\%$).
	Inlet/Outlet valves for debris or swelling.
Noisy/rough operation.	Pressure switch operation/adjustment incorrect refer to Serv. Bulletin 1031.
	For loose drive assembly or pump head screws.
	Mounting feet that are compressed to tight.
	Does the mounting surface multiply noise (flexible).
	For loose pump head or drive screws.
	Is the pump plumbed with rigid pipe causing noise to transmit.

SERVICE KITS

SERVICE KITS

Kits are readily available to repair standard 2088 series pumps. Repair kits include simple illustrated instructions allowing easy installation. To insure that the correct kit is received the model numbered and all name plate data must be included with the order. Contact a SHURflo distributor or SHURflo directly to order the necessary repair kit.

NOTE Please have all pump information from the data plate on the pump motor when calling for service.



No.	Part
1	Upper Housing Kit with Switch and Check Valve
2	Valve plate assembly
3	Diaphragm / Drive assembly
4	Motor
5	Complete Pump Head assembly (includes parts 1,2,3)

RETURN POLICY

All Industrial pumps/products must be flushed of any chemical (ref. OSHA Section 1910.1200 (d)(e)(f)(g)(h)) and hazardous chemicals must be labeled/tagged before being *shipped to SHURflo for service or warranty consideration.

SHURFLO reserves the right to request a Material Safety Data Sheet from the returnee for any pump/product it deems necessary. SHURFLO reserves the right to "disposition as scrap" pumps/products returned which contain unknown fluids. SHURFLO reserves the right to charge the returnee for any and all costs incurred for chemical testing, and proper disposal of components containing unknown fluids. SHURFLO requests this in order to protect the environment and personnel from the hazards of handling unknown fluids.

LIMITED WARRANTY PROCEDURE

SHURFLO warrants Industrial 2088 series pumps to be free from material and workmanship defects (under normal use and service) for a period of one (1) year from the date of manufacture, or (1) one year use with proof of purchase, not to exceed (2) two years in any event.

The limited warranty will not apply to pumps that were improperly installed, misapplied, or incompatible with fluids or components not manufactured by SHURFLO. SHURFLO will not warrant any pump which is damaged or modified outside the SHURFLO factory.

All Industrial pumps/products must be flush of any chemicals before *shipping. All warranty considerations are governed by SHURFLO's written Return Policy.

Returns are to be shipped postage prepaid to our service center in New Brighton, MN. SHURFLO shall not be liable for freight damage incurred during shipping. Package returns carefully. PENTAIR-SHURFLO, 375 5th Ave NW, New Brighton, MN 55112.

Upon receiving a pump, it will be tested per SHURFLO's test criteria. SHURFLO's obligation under this warranty policy is limited to the repair or replacement of the unit. Pumps found not defective (under the terms of this limited warranty) are subject to charges to be paid by the returnee for the testing and packaging of "tested good" units.

No credit or labor allowances will be given to the returnee for pumps returned as defective. Warranty replacements will be shipped on a freight allowed basis. SHURFLO reserves the right to choose the method of transportation.

This limited warranty is in lieu of all other warranties, expressed or implied, and no other person is authorized to give any other warranty or assume obligation or liability on SHURFLO's behalf. SHURFLO shall not be liable for any labor, damage or other expense, nor shall SHURFLO be liable for any indirect, incidental or consequential damages of any kind incurred by the reason of the use or sale of any defective product or part. This limited warranty covers pumps distributed within the United States of America. Other world market areas should consult with the distributor for any deviation from this document.

* Carriers, including U.S.P.S., airlines, UPS, ground freight, etc., require specific identification of any hazardous materials being shipped. Check with your shipping company for specific instructions. Failure to do so may result in substantial penalties.



SHURFLO Europe, Middle East, Africa

pentair.com/shurflo

Pentair trademarks and logos are owned by Pentair or its affiliates. Third party registered and unregistered trademarks and logos are the property of their respective owners. Because we are continuously improving our products and services, Pentair reserves the right to change specifications without prior notice. Pentair is an equal opportunity employer.

Viton® is a registered trademark of DuPont Performance Elastomers L.L.C.

©2021 Pentair. All Rights Reserved.

911-396 (09-01-2021)



POMPES INDUSTRIELLES DE LA SÉRIE 2088

GUIDE D'INSTALLATION ET D'UTILISATION

pentair.com

© Pentair, 2021. Tous droits réservés.


TABLE DES MATIÈRES


Consignes de sécu.....	11
Installation de la pompe	12
Dépannage.....	14
Trousses d'Entretien.....	15
Politique de Retour.....	16
Garantie.....	16


INFORMATION RELATIVE À LA SÉCURITÉ


IMPORTANTES CONSIGNES DE SÉCURITÉ

Ce manuel contient des consignes importantes qui doivent être suivies pendant l'installation, l'utilisation et l'entretien du produit.

 Ceci est le symbole d'alerte de sécurité. Si vous voyez ce symbole sur votre pompe ou dans ce manuel, recherchez l'un des mots d'avertissement ci-dessous et faites attention aux risques de blessures!


 **DANGER** indique un danger qui, s'il n'est pas évité, entraînera la mort ou des blessures graves.

 **WARNING** indique un danger qui, s'il n'est pas évité, peut entraîner la mort ou des blessures graves.

 **CAUTION** indique un danger qui, s'il n'est pas évité, pourrait entraîner des blessures légères à modérées.

REMARQUE : Concerne des pratiques non liées aux lésions corporelles.

AVERTISSEMENT CONCERNANT LA PROPOSITION 65 DE LA CALIFORNIE

 **WARNING** Ce produit et les accessoires connexes comportent des produits chimiques considérés par l'État de la Californie comme pouvant causer le cancer, des anomalies congénitales ou d'autres troubles du système reproducteur.

SÉCURITÉ GÉNÉRALE

- ◆ **MISE EN GARDE :** Par « fonctionnement intermittent », on entend le fonctionnement ou le démarrage fréquent dans un délai dans lequel le moteur atteindrait ses limites thermiques maximales. Une fois que la limite thermique maximale est atteinte, il faut permettre au moteur de retourner à la température ambiante avant de reprendre le fonctionnement.
- ◆ **MISE EN GARDE :** NE PAS utiliser pour pomper des liquides inflammables. Ne jamais faire fonctionner la pompe dans un milieu explosif. Les étincelles produites par les balais de moteur, un interrupteur ou une chaleur excessive provenant d'un moteur mal cyclé pourraient causer une explosion.
- ◆ **MISE EN GARDE :** NE PAS présumer la compatibilité avec le liquide. Si le liquide est mal adapté aux élastomères de la pompe, une fuite pourrait se produire. Les pompes utilisées pour transférer des produits chimiques dangereux ou chauds (Viton d'une température max. de 170 °F [76 °C] seulement) doivent être situées dans une zone ventilée pour protéger contre le risque de blessure attribuable à des vapeurs ou des liquides dangereux ou explosifs.

- ◆ **MISE EN GARDE :** NE PAS faire fonctionner la pompe à des pressions qui font que le moteur dépasse l'intensité nominale indiquée sur la plaque signalétique. Divers modèles de pompe sont équipés de disjoncteurs thermiques pour interrompre le fonctionnement en cas d'une chaleur excessive. Une fois que la température du moteur sera dans les limites appropriées, le moteur se réenclenchera automatiquement et la pompe commencera à fonctionner sans avertissement.
- ◆ **MISE EN GARDE :** Pour empêcher une décharge électrique, couper l'alimentation avant d'entreprendre tout travail. En cas de défaillance de la pompe, il se peut que le carter du moteur ou le liquide pompé transporte une tension élevée aux composants normalement considérés comme étant sans danger.

INSTALLATION DE LA POMPE

FONCTIONNEMENT DU PRESSOSTAT

Le pressostat réagit à la pression de sortie et coupe l'alimentation à la pression à débit nul pré réglée indiquée sur l'étiquette de la pompe. Lorsque la pression de sortie descend sous une limite prédéterminée (habituellement 15-20 lb/po² [1-1,4 bar] de moins que la pression à débit nul), le pressostat se ferme et la pompe fonctionne jusqu'à ce que la pression à débit nul (élevée) soit atteinte. La pression à débit nul est étalonnée en usine conformément aux normes établies. Consulter l'étiquette du moteur et la fiche signalétique du produit pour des spécifications précises de la pompe.

MISE EN GARDE : Le mauvais réglage du pressostat pourrait causer une grave surcharge ou une défaillance précoce. Consulter le bulletin de service SHURflo no 1031 pour la procédure de réglage. Les défaillances attribuables à un mauvais réglage du pressostat ne seront pas couvertes en vertu de la garantie limitée.

Si la plomberie est restrictive ou le débit très lent, la pompe pourrait remettre la sortie en pression plus rapidement que le liquide est rejeté, causant un cycle rapide (MARCHE/ARRÊT en moins de 2 secondes). Si la pompe est soumise à un cycle rapide durant le fonctionnement normal, ou pendant des périodes peu fréquentes, des dommages pourraient survenir. Les restrictions dans la sortie devraient être réduites au minimum dans le cas des applications qui affichent un cycle rapide. Si cela n'est pas possible, envisager l'installation d'un accumulateur SHURflo ou une pompe de « dérivation » SHURflo.

FONCTIONNEMENT EN DÉRIVATION

Une pompe de dérivation pourrait être utilisée pour les applications qui provoquent des marches-arrêts fréquents du moteur et créent donc une possibilité de surchauffe. Les modèles équipés d'une dérivation interne sont conçus pour pomper à haute pression alors que le débit est faible. Les modèles de dérivation munis d'un interrupteur pourraient fonctionner pendant plusieurs secondes même si le côté sortie est fermé. Communiquer avec SHURflo pour des renseignements sur les pompes de dérivation.

MONTAGE

Les pompes de la série 2088 sont à amorçage automatique. L'amorçage horizontal et l'amorçage vertical varient selon la viscosité du liquide et la configuration de la pompe. Consulter la fiche signalétique des pompes.

La pompe doit être située dans un endroit sec et bien ventilé. Si elle est montée dans une enceinte, il pourrait être nécessaire de prendre des dispositions pour refroidir le moteur. Des dissipateurs thermiques qui se fixent au moteur sont disponibles auprès de SHURflo si une dissipation thermique accrue est nécessaire.

MISE EN GARDE : NE PAS placer le moteur près de plastiques basse température ou de matières combustibles. La

température de surface du moteur pourrait dépasser 250 °F [120 °C]. Consulter la fiche signalétique de la pompe.

La pompe peut être montée dans n'importe quelle position. Cependant, dans le cas d'un montage vertical, la tête de pompe doit être en position basse pour qu'en cas de fuite, le liquide ne pénètre pas dans le moteur.

Bien fixer les pieds en caoutchouc avec des vis no 8. NE PAS comprimer les pieds, car cela réduira leur capacité d'isoler les vibrations ou le bruit.

PLOMBERIE

Des tubes souples haute pression compatibles avec le liquide doivent être utilisés pour le raccordement des orifices d'admission/de sortie. Les tubes doivent avoir un diamètre intérieur de 3/8 po ou 1/2 po [10 ou 13 mm] et une longueur d'au moins 18 po [46 cm] est proposée pour réduire au minimum la tension sur le raccord ou les orifices et pour réduire le bruit. Permettre le parcours de tubes le plus court possible et éviter les coudes courts qui pourraient s'entortiller à la longue.

REMARQUE : Les restrictions sur le tube d'admission pourraient faire que les niveaux de vide atteignent la pression de vapeur du liquide, causant des cavitations, le dégazage, un bouchon de vapeur et une perte de performance. La pression d'admission ne doit pas dépasser 30 lb/po² [2,1 bars] maximum.

Modèles à filetage mâle de 1/2 po : Ils sont conçus pour être utilisés avec les raccords cannelés tournants SHURflo qui comprennent un filetage conique intérieur assurant l'étanchéité lorsqu'ils sont serrés à la main. Les raccords à filetage NPT de 1/2 po standard peuvent être utilisés lorsqu'ils sont serrés à un couple maximal de 3,7 pi-lb (45 po-lb) [5 Nm].

REMARQUE : SHURflo ne recommande pas d'utiliser des raccords métalliques ou un tuyau rigide pour raccorder les orifices d'admission/de sortie. On peut se procurer des raccords à filetage mâle et femelle en plastique standard dans les magasins de fournitures de plomberie commerciales. SHURflo distribue également des raccords cannelés tournants et des raccords spéciaux par l'entremise de ses dépositaires (formulaire no 07-010-0011).

MISE EN GARDE : Les colmatants et le ruban Téflon pourraient se comporter comme un lubrifiant et un serrage excessif pourrait provoquer la fissuration des boîtiers ou l'arrachement des filets. Il faut faire attention lorsqu'on applique des colmatants. Ceux-ci pourraient pénétrer dans la pompe et entraver l'action de soupape, ce qui empêcherait l'amorçage ou l'arrêt. Les défaillances provoquées par des débris étrangers ne sont pas couvertes par la garantie. L'installation d'un filtre de 50 mailles est recommandée pour empêcher les débris étrangers de pénétrer dans la pompe.

INSTALLATION DE LA POMPE

Si un clapet de retenue est installé dans la plomberie, il doit avoir une pression d'ouverture de pas plus de 2 lb/po2 [0,14 bar].

ÉLECTRICITÉ

MISE EN GARDE : Le câblage électrique doit être effectué par un électricien qualifié, conformément à tous les codes de l'électricité locaux.

La pompe doit être sur un circuit spécialisé (individuel), contrôlé par un interrupteur bipolaire (homologué U.L./C-UL) d'une intensité nominale égale ou supérieure à celle des fusibles indiquée sur l'étiquette du moteur de la pompe. Selon la distance entre la source d'alimentation et la pompe et la charge de courant sur le circuit, le fil pourrait devoir être plus gros que ce qui est indiqué sur le tableau.

MISE EN GARDE : Tous les systèmes et moteurs de pompe de 115 V c.a. et de 230 V c.a. doivent être mis à la terre conformément aux codes de l'électricité locaux et provinciaux.

Un cycle de service inadéquat ou des conditions de marche/arrêt rapides pourraient provoquer le déclenchement du disjoncteur thermique interne (si présent) ou une panne prématurée du moteur à cause d'une chaleur excessive. Consulter la fiche signalétique de la pompe.

Pour que la pompe réponde aux exigences U.L./C-UL, le circuit DOIT être protégé par un fusible à action retardée (homologué U.L./C-UL) ou un disjoncteur équivalent comme indiqué sur l'étiquette du moteur. Utiliser un fil approuvé de la dimension précisée ou plus gros.

MISE EN GARDE : La protection de circuit est fonction des exigences de chaque application. Le défaut de fournir des dispositifs de protection contre les surcharges / thermiques appropriés pourrait donner lieu à une panne de moteur, qui ne sera pas couverte par la garantie.

TENSION	FILS	DIMENSION DES FILS	CALIBRE DU FUSIBLE
12 c.c.			
24 c.c.	ROUGE (positif +) NOIR (négatif -)	14 AWG [2,5 mm ²] (ou plus gros)	
36 c.c.			
115 a.c.	NOIR (compensateur) BLANC (neutre) GREEN (de terre)	16 AWG [1 mm ²](ou plus gros) c-UL – TEW / UL 1015	VOIR L'ÉTIQUETTE DU MOTEUR DE LA POMPE
230 a.c.	BRUN (compensateur) BLEU (neutre) VERT/JAUNE (de terre)		

DÉPANNAGE

DÉPANNAGE

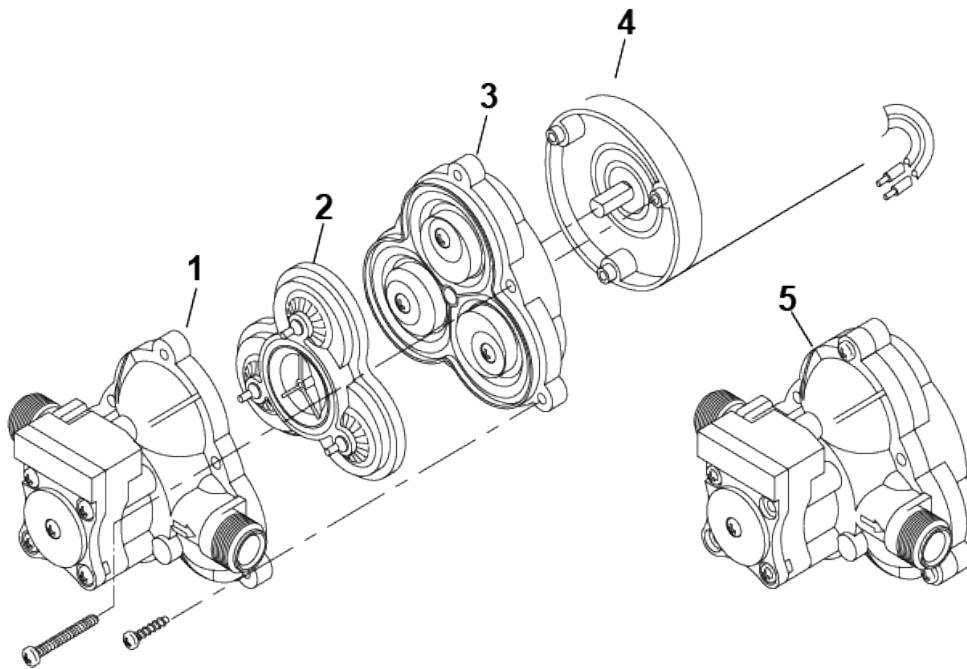
Symptôme	Mesure corrective
LA POMPE NE DÉMARRE PAS	Fusible ou disjoncteur
	Tension appropriée ($\pm 10\%$) et raccordements électriques
	Fonctionnement du pressostat et tension appropriée aux fils du moteur ou de l'interrupteur
	Redresseur ou moteur en cas de circuit ouvert ou mis à la terre
	Mécanisme d'entraînement bloqué
NE S'AMORCE PAS (pas de refoulement/le moteur fonctionne)	Produit épuisé
	Débris dans la crépine
	Fuite de vide grave dans le tube d'admission/la plomberie
	Restriction grave dans le tube d'admission/de sortie (tortillement)
	Débris dans les soupapes d'aspiration/de refoulement de la pompe
	Tension appropriée de la pompe en fonctionnement ($\pm 10\%$)
FUITES PROVENANT DE LA TÊTE DE POMPE OU DE L'INTERRUPTEUR	Fissures dans le boîtier de pompe
	Vis desserrées sur l'interrupteur ou la tête de pompe
	Membrane de l'interrupteur brisée ou rétrécie
	Dans le cas d'une membrane perforée, présence de liquide dans le drain de fond
LA POMPE NE S'ARRÊTERA PAS (dotée d'un pressostat)	Ligne de sortie fermée et pas de fuites
	Air emprisonné dans la ligne de sortie ou la tête de pompe
	Tension appropriée de la pompe ($\pm 10\%$)
	Débris ou gonflement des soupapes d'aspiration/de refoulement
	Vis du mécanisme d'entraînement ou de la pompe desserrées
FONCTIONNEMENT BRUYANT	Fonctionnement/réglage inadéquat du pressostat ; consulter le bulletin de service no 1031
	Pieds de fixation trop comprimés
	La surface de montage amplifie-t-elle le bruit (souple)
	Vis de tête de pompe ou de mécanisme d'entraînement desserrées
	La pompe est-elle raccordée à un tuyau rigide, ce qui aurait pour effet de transmettre le bruit?

TROUSSES D'ENTRETIEN

TROUSSES D'ENTRETIEN

Des trousse d'entretien sont aisément disponibles pour réparer les pompes de la série 2088 standard. Les trousse de réparation comprennent des directives simples et illustrées pour une installation facile. Pour s'assurer de recevoir la bonne trousse, il faut mentionner dans la commande le numéro de modèle et toutes les données de la plaque signalétique. Communiquer avec le distributeur SHURflo ou directement avec SHURflo pour commander la trousse de réparation nécessaire.

NOTE Please have all pump information from the data plate on the pump motor when calling for service.



No.	Part
1	Interrupteur / clapet de retenue et boîtier supérieur
2	Plaque porte-soupape
3	Membrane / mécanisme d'entraînement
4	Moteur
5	Ensemble de tête de pompe complet (comprend les pièces nos 1,2,3)

POLITIQUE DE RETOUR

Tous les produits/pompes industriels doivent être rincés afin d'éliminer tout produit chimique (se référer à la norme OSHA Section 1910.1200 (d)(e)(f)(g)(h)), et les produits chimiques dangereux doivent être étiquetés avant d'être *expédiés à SHURflo pour un service de réparation ou d'entretien ou une réclamation au titre de la garantie. SHURflo se réserve le droit, si elle le juge nécessaire, de demander la fiche signalétique de tout produit ou pompe faisant l'objet d'un retour. SHURflo se réserve le droit d'« éliminer comme des déchets » les pompes/produits retournés qui contiennent des liquides inconnus. SHURflo se réserve le droit de facturer à la personne effectuant le retour tous les frais engagés pour des essais chimiques et l'élimination appropriée des composants contenant des liquides inconnus. SHURflo fait cette demande dans le but de protéger l'environnement et le personnel contre les dangers de manipuler des liquides inconnus.

PROCÉDURE DE GARANTIE LIMITÉE

SHURflo garantit les pompes industrielles de la série 2088 contre tout défaut de matériau et de fabrication (dans des conditions normales d'utilisation et d'entretien) pendant une période d'un (1) an à compter de la date de fabrication ou une période d'utilisation d'un (1) an avec preuve d'achat, cette période ne pouvant en aucun cas dépasser deux (2) ans.

La garantie limitée ne s'appliquera pas aux pompes qui ont été mal installées, mal utilisées ou qui sont incompatibles avec les liquides ou les composants non fabriqués par SHURflo. SHURflo ne garantira aucune pompe qui est endommagée ou modifiée à l'extérieur de l'usine SHURflo.

Tous les produits/pompes industriels doivent être rincés afin d'éliminer tout produit chimique avant d'être *expédiés. Toutes les réclamations au titre de la garantie sont régies par la politique de retour écrite de SHURflo.

Les retours doivent être expédiés en port payé au centre de service de SHURflo New Brighton, MN. SHURflo ne sera pas tenue responsable des dommages de transport survenus durant l'expédition. Emballer soigneusement les produits retournés. PENTAIR-SHURFLO, 375 5th Ave NW, New Brighton, MN 55112.

Dès réception d'une pompe, celle-ci sera mise à l'essai conformément aux critères d'essai de SHURflo. L'obligation de SHURflo en vertu de la présente politique de garantie se limite à la réparation ou au remplacement de l'appareil. Si les pompes s'avèrent non défectueuses (en vertu des conditions de la présente garantie limitée), des frais pourraient être facturés à la personne qui a effectué le retour pour l'essai et l'emballage des appareils qui se sont avérés en bon état.

Aucun crédit ou allocation de main-d'œuvre ne sera accordé à la personne qui a effectué le retour pour les pompes retournées en raison d'une défectuosité. Les pompes remplacées au titre de la garantie seront expédiées en port déduit. SHURflo se réserve le droit de choisir le mode de transport.

La présente garantie limitée remplace toutes les autres garanties, expresses ou implicites, et aucune autre personne n'est autorisée à donner une autre garantie ou à assumer une obligation ou une responsabilité au nom de SHURflo. SHURflo ne sera pas tenue responsable des frais de main-d'œuvre, des dommages ou d'autres frais, ni des dommages indirects ou consécutifs de quelque nature que ce soit découlant de l'utilisation ou de la vente d'une pièce ou d'un produit défectueux. La présente garantie limitée couvre les pompes distribuées au sein des États-Unis d'Amérique. Dans les autres secteurs du marché mondial, consulter le distributeur en cas de tout écart avec le présent document.

Les transporteurs, y compris U.S.P.S., les lignes aériennes, UPS, les sociétés de transport terrestre, etc., exigent l'identification précise des matières dangereuses expédiées. Vérifier auprès de la société de transport pour obtenir des directives précises. Sinon, il pourrait s'ensuivre d'importantes pénalités.



SHURFLO Europe, Moyen-Orient, Afrique

pentair.com/shurflo

Toutes les marques de commerce et tous les logos de Pentair appartiennent à Pentair ou ses filiales. Les marques de commerce et logos de tiers déposés et non déposés sont la propriété de leurs propriétaires respectifs. Dans la mesure où Pentair améliore constamment ses produits et services, la société se réserve le droit d'en modifier les spécifications sans préavis. Pentair est un employeur offrant l'égalité professionnelle.

Viton® est une marque déposée de DuPont Performance Elastomers L.L.C.

© Pentair, 2021. Tous droits réservés.

911-396(09-01-2021)